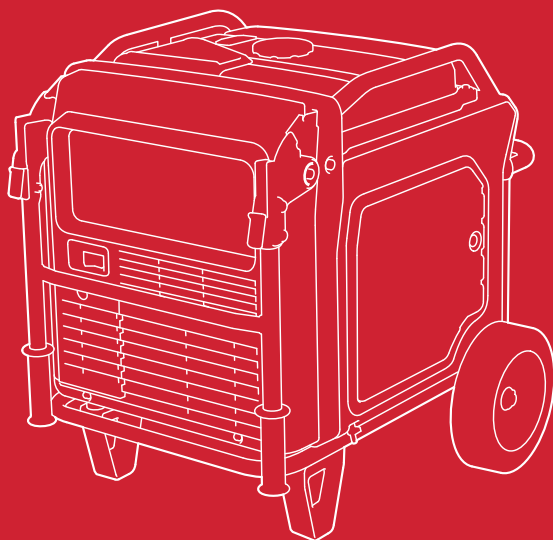


HONDA
POWER PRODUCTS

GENERATOR

EU70is



ECOLOGY CONSCIOUS TECHNOLOGY

OWNER'S MANUAL
MANUEL DE L'UTILISATEUR
BEDIENUNGSANLEITUNG
MANUALE DELL'UTENTE

Honda EU70is

OWNER'S MANUAL

Original instructions

MANUEL DE L'UTILISATEUR

Notice originale

BEDIENUNGSANLEITUNG

Originalbetriebsanleitung

MANUALE DELL'UTENTE

Istruzioni originali

WARNING

Exhaust contains poisonous carbon monoxide gas that can build up to dangerous levels in closed areas. Breathing carbon monoxide can cause unconsciousness or death.

Never run the generator in a closed, or even partly closed area where people may be present.

Keep this owner's manual handy so that you can refer to it at any time. This owner's manual is considered a permanent part of the generator and should remain with the generator if resold.

The information and specifications included in this publication were in effect at the time of approval for printing. Honda Motor Co., Ltd. reserves the right, however, to discontinue or change specifications or design at any time without notice and without incurring any obligation whatsoever.

- The illustration may vary according to the type.

INTRODUCTION

Congratulations on your selection of a Honda generator. We are certain you will be pleased with your purchase of one of the finest generators on the market.

We want to help you get the best results from your new generator and to operate it safely. This manual contains all the information on how to do that; please read it carefully.

As you read this manual, you will find information preceded by a **NOTICE** symbol. That information is intended to help you avoid damage to your generator, other property, or the environment.

We suggest you read the warranty policy to fully understand its coverage and your responsibilities of ownership.

When your generator needs scheduled maintenance, keep in mind that your Honda servicing dealer is specially trained in servicing Honda generators. Your Honda servicing dealer is dedicated to your satisfaction and will be pleased to answer your questions and concerns.

Best Wishes,
Honda Motor Co., Ltd.


A FEW WORDS ABOUT SAFETY

Your safety and the safety of others are very important. And using this generator safely is an important responsibility.




To help you make informed decisions about safety, we have provided operating procedures and other information on labels and in this manual. This information alerts you to potential hazards that could hurt you or others.

Of course, it is not practical or possible to warn you about all the hazards associated with operating or maintaining a generator. You must use your own good judgment.

You will find important safety information in a variety of forms, including:

- **Safety Labels** — on the generator.
- **Safety Messages** — preceded by a safety alert symbol  and one of three signal words, DANGER, WARNING, or CAUTION.

These signal words mean:

 DANGER	You WILL be KILLED or SERIOUSLY HURT if you don't follow instructions.
 WARNING	You CAN be KILLED or SERIOUSLY HURT if you don't follow instructions.
 CAUTION	You CAN be HURT if you don't follow instructions.

- **Safety Headings** — such as *IMPORTANT SAFETY INFORMATION*.
- **Safety Section** — such as *GENERATOR SAFETY*.
- **Instructions** — how to use this generator correctly and safely.

This entire book is filled with important safety information — please read it carefully.

CONTENTS

GENERATOR SAFETY	6
IMPORTANT SAFETY INFORMATION	6
Operator Responsibility	6
Carbon Monoxide Hazards	7
Electric Shock Hazards	8
Fire and Burn Hazards	8
Refuel With Care	9
Explosion proof	9
Disposal	9
SAFETY LABEL LOCATIONS	10
CE MARK & NOISE LABEL LOCATIONS	13
CE MARK & NOISE LABEL	13
CONTROLS & FEATURES	14
COMPONENT & CONTROL LOCATIONS	14
CONTROLS	16
MAIN Switch	16
ENGINE START Button	16
Starter Grip	17
Eco-Throttle Switch	17
Parallel Operation Outlets	18
AC Circuit Protectors	18
Folding Handle	20
Maintenance Covers	21
FEATURES	22
Ground Terminal	22
OUTPUT Indicator	23
OVERLOAD ALARM Indicator	23
OIL ALERT/CHECK Indicator	24
i-Monitor	25
Fuel Gauge	28
BEFORE OPERATION	29
ARE YOU READY TO GET STARTED?	29
Knowledge	29
IS YOUR GENERATOR READY TO GO?	29
Check the Engine	30
Battery Maintenance Cover	30

CONTENTS

OPERATION	31
SAFE OPERATING PRECAUTIONS	31
STARTING THE ENGINE	33
STOPPING THE ENGINE	36
STARTING THE ENGINE with REMOTE CONTROL (Optional part)...	37
STOPPING THE ENGINE with REMOTE CONTROL (Optional part)...	38
AC OPERATION.....	39
AC Applications	41
AC PARALLEL OPERATION	42
AC Parallel Operation Applications	44
ECO-THROTTLE SYSTEM.....	46
STANDBY POWER.....	47
Connections to a Building's Electrical System	47
System Ground	47
Special Requirements.....	48
SERVICING YOUR GENERATOR	49
THE IMPORTANCE OF MAINTENANCE	49
MAINTENANCE SAFETY	50
Safety Precautions	50
MAINTENANCE SCHEDULE	51
REFUELING.....	52
FUEL RECOMMENDATIONS.....	53
ENGINE OIL LEVEL CHECK	54
ENGINE OIL CHANGE	55
ENGINE OIL RECOMMENDATIONS	56
AIR CLEANER SERVICE.....	57
FOAM AIR FILTER CLEANING	58
SPARK PLUG SERVICE.....	59
SPARK ARRESTER SERVICE	61
BATTERY SERVICE.....	62
FUSE	66
STORAGE	67
STORAGE PREPARATION.....	67
Cleaning.....	67
Fuel.....	67
Engine Oil.....	69
Battery	69
STORAGE PRECAUTIONS	70
REMOVAL FROM STORAGE	70

CONTENTS

TRANSPORTING	71
TAKING CARE OF UNEXPECTED PROBLEMS	73
ENGINE WILL NOT START.....	73
ENGINE LACKS POWER	74
NO POWER AT THE AC RECEPTACLES	74
TECHNICAL INFORMATION	75
Serial Number Location	75
Specifications	76
Wiring Diagram	78
Receptacle	79
ASSEMBLY	80
SAFETY	80
The Importance of Proper Assembly	80
Important Safety Precautions.....	81
ASSEMBLY.....	82
Unpacking	82
Loose Parts	82
Wheel Kit Installation	83
Battery	84
Engine Oil.....	85
Fuel	85
Battery Voltage.....	86
BEFORE OPERATION	86
OPTIONAL PARTS	87
REMOTE CONTROL KIT	87
HANGER KIT	89
Inside back cover	
WIRING DIAGRAM	Inside back cover
MAJOR Honda DISTRIBUTOR ADDRESSES	Inside back cover
“EC Declaration of Conformity”	
CONTENT OUTLINE.....	Inside back cover

GENERATOR SAFETY

IMPORTANT SAFETY INFORMATION

Honda generators are designed for use with electrical equipment that has suitable power requirements. Other uses can result in injury to the operator or damage to the generator and other property.

Most injuries or property damage can be prevented if you follow all instructions in this manual and on the generator. The most common hazards are discussed below, along with the best way to protect yourself and others.

- Never attempt to modify the generator. It can cause an accident as well as damage to the generator and appliances.
 - Do not connect an extension to the muffler.
 - Do not modify the intake system.
 - Do not adjust the governor.
 - Do not remove the control panel or do not change the wiring of the control panel.

Operator Responsibility

- Know how to stop the generator quickly in case of emergency.
- Understand the use of all generator controls, output receptacles, and connections.
- Be sure that anyone who operates the generator receives proper instruction. Do not let children operate the generator without parental supervision.
- Be sure to observe the instructions in this manual for how to use the generator and maintenance information. Ignoring or improperly following the instructions can cause an accident such as an electric shock, and the condition of the exhaust gas may deteriorate.
 - Obey all applicable laws and regulations where the generator is used.
 - Gasoline and Oil is toxic. Follow the instructions provided by each manufacturer before use.
 - Place the generator on a firm level place before operation.
 - Do not operate the generator with any cover removed. You may get your hand or foot caught in the generator and it may cause accident.
 - Consult your authorized Honda dealer for disassembly and service of the generator that are not covered in this manual.

Carbon Monoxide Hazards

A generator's exhaust contains toxic carbon monoxide, which you cannot see or smell. Breathing carbon monoxide can **KILL YOU IN MINUTES**. To avoid carbon monoxide poisoning, follow these instructions when operating a generator:

- Only run a generator **OUTSIDE**, far away from windows, doors, and vents.
- Never operate a generator inside a house, garage, basement, crawl space, or any enclosed or partially enclosed space.
- Never operate a generator near open doors or windows.
- Get fresh air and seek medical attention immediately if you suspect you have inhaled carbon monoxide.

Early symptoms of carbon monoxide exposure include headache, fatigue, shortness of breath, nausea, and dizziness. Continued exposure to carbon monoxide can cause loss of muscular coordination, loss of consciousness, and then death.

GENERATOR SAFETY

Electric Shock Hazards

The generator produces enough electric power to cause a serious shock or electrocution if misused.

- Do not use in wet conditions. Keep the generator dry.
 - Do not use in the rain or snow.
 - Do not use near a pool or a sprinkler system.
 - Do not use when your hands are wet.
- If the generator is stored outdoors, unprotected from the weather, all of the electrical components on the control panel before each use. Moisture or ice can cause a malfunction or short circuit in electrical components that could result in electrocution.
- Do not connect to a building's electrical system unless an isolation switch has been installed by a qualified electrician.
- For parallel operation, use only a Honda approved parallel kit (optional equipment) when connecting one EU70is to another EU70is generator.
- Never connect different generator models.

Fire and Burn Hazards

The exhaust system gets hot enough to ignite some materials.

- Keep the generator at least 1 meter (3 feet) away from buildings and other equipment during operation.
- Do not enclose the generator in any structure.
- Keep flammable materials away from the generator.

The muffler becomes very hot during operation and remains hot for a while after stopping the engine. Be careful not to touch the muffler while it is hot. Let the engine cool before storing the generator indoors.

Refuel With Care

Gasoline is extremely flammable, and gasoline vapor can explode.

- Do not refuel during operation.
- Allow the engine to cool if it has been in operation.
- Refuel only outdoors in a well-ventilated area and on a level surface.
- Never smoke near gasoline, and keep other flames and sparks away.
- Do not overfill the fuel tank.
- Make sure that any spilled fuel has been wiped up before starting the engine.
- Always store gasoline in an approved container.

Explosion proof

This generator is not compliant with explosion proof.

Disposal

To protect the environment, do not dispose of the used generator, battery, engine oil, etc. carelessly by leaving them in the waste.

Observe the local laws or regulations or consult your authorized Honda generator dealer to dispose of these parts.

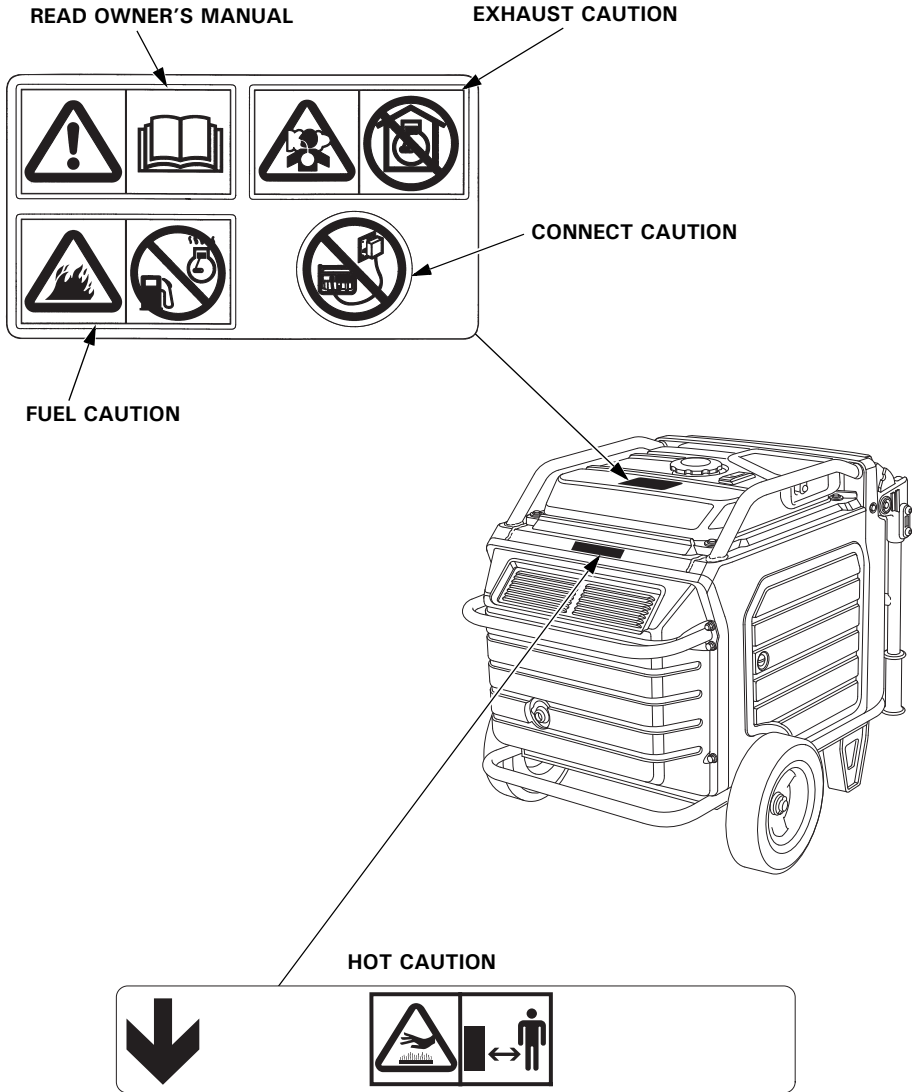
Please dispose of used motor oil in a manner that is compatible with the environment. We suggest you take it in a sealed container to your local service station for reclamation. Do not throw it in the trash or pour it on the ground.

An improperly disposed battery can hurt the environment. Always confirm local regulations for battery disposal. Contact your Honda servicing dealer for a replacement.

GENERATOR SAFETY

SAFETY LABEL LOCATIONS

These labels warn you of potential hazards that can cause serious injury. Read them carefully. If a label comes off or becomes hard to read, contact your Honda servicing dealer for a replacement.



GENERATOR SAFETY



- Honda generator is designed to give safe and dependable service if operated according to instructions.

Read and understand the Owner's Manual before operating the generator. Failure to do so could result in personal injury or equipment damage.



- Gasoline is highly flammable and explosive. Turn the engine off and let it cool before refueling.



- Exhaust contains poisonous carbon monoxide, a colorless, odorless gas. Breathing carbon monoxide can cause loss of consciousness and may lead to death.
- If you run the generator in an area that is confined, or even partially enclosed area, the air you breathe could contain a dangerous amount of exhaust gas.
- Never run your generator inside a garage, house or near open windows or doors.

GENERATOR SAFETY



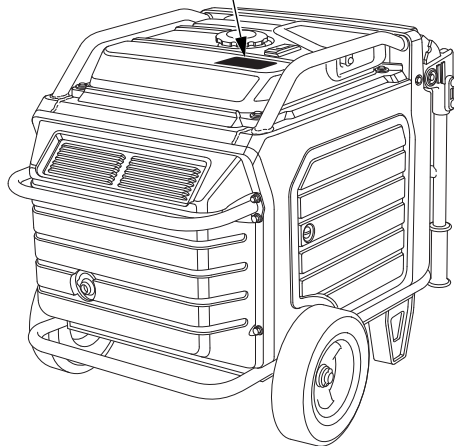
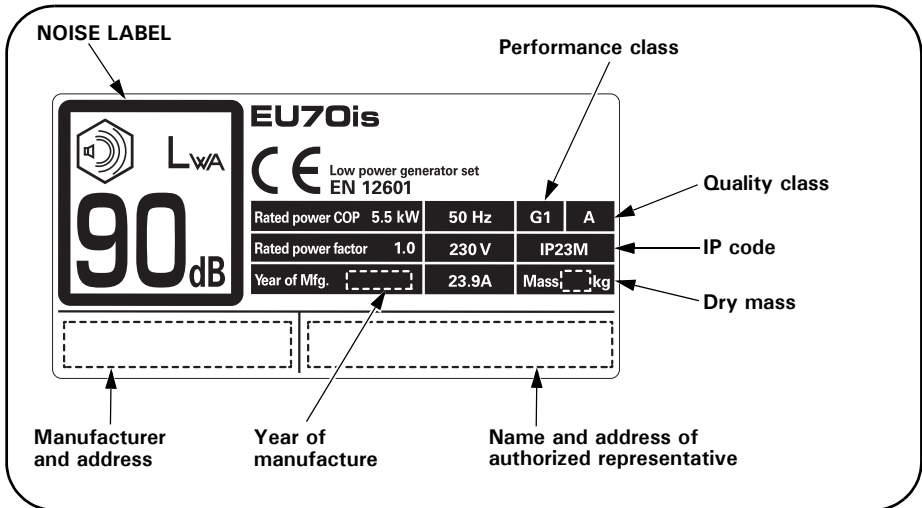
- **Improper connections to a building's electrical system can allow current from the generator to backfeed into the utility lines. Such backfeed may electrocute utility company workers or others who contact the lines during a power outage, and the generator may explode, burn, or cause fires when utility power is restored. Consult the utility company or a qualified electrician prior to making any power connections.**



- **A hot exhaust system can cause serious burns. Avoid contact if the engine has been running.**

CE MARK & NOISE LABEL LOCATIONS

CE MARK & NOISE LABEL



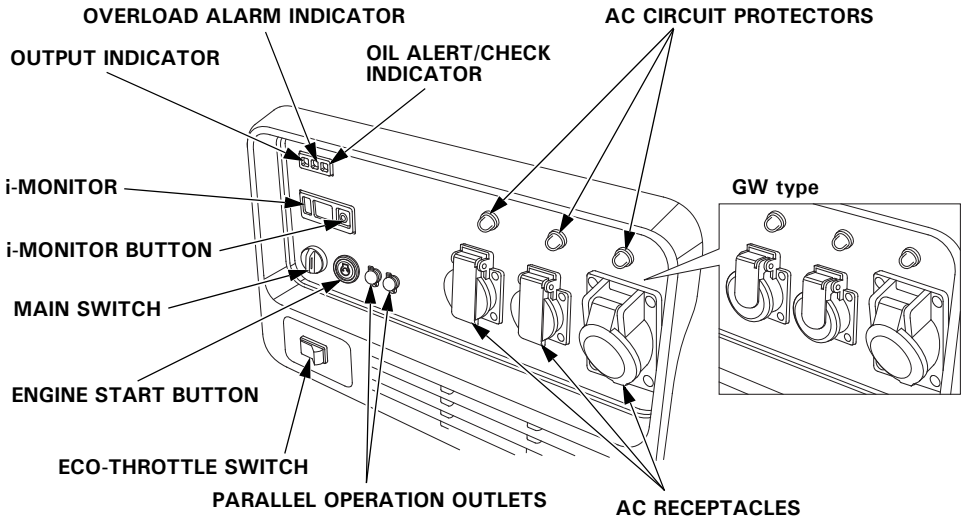
Name and address of manufacturer and authorized representative are written in the "EC Declaration of Conformity" CONTENT OUTLINE in this Owner's Manual.

CONTROLS & FEATURES

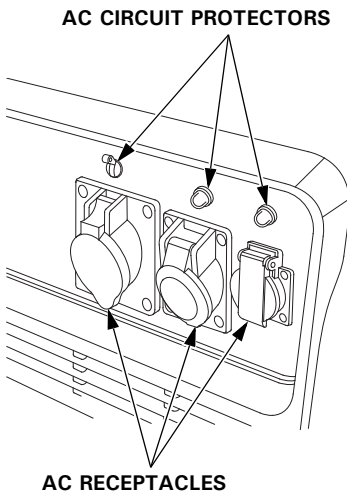
COMPONENT & CONTROL LOCATIONS

Use the illustrations on these pages to locate and identify the most frequently used controls.

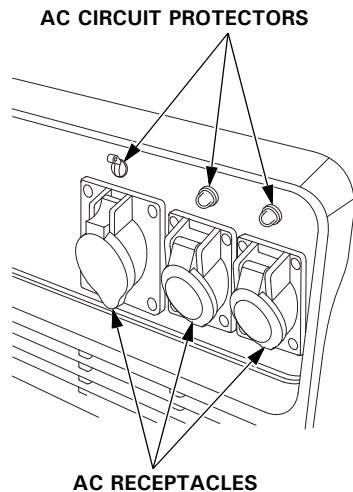
G type



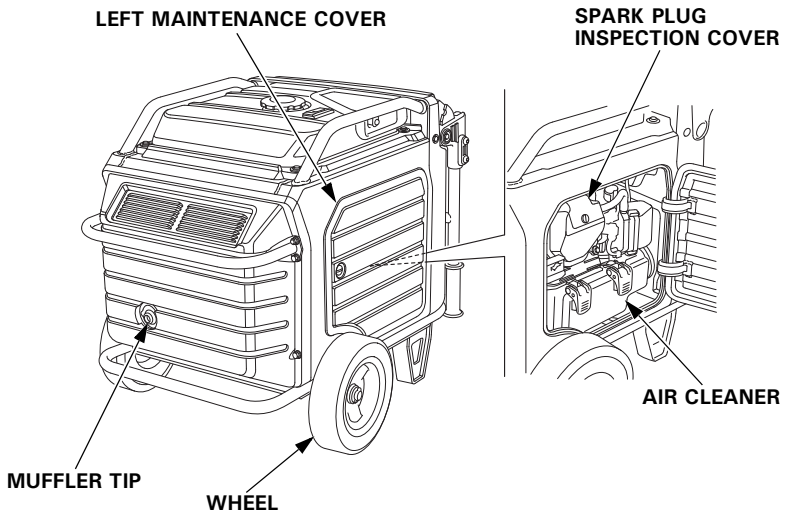
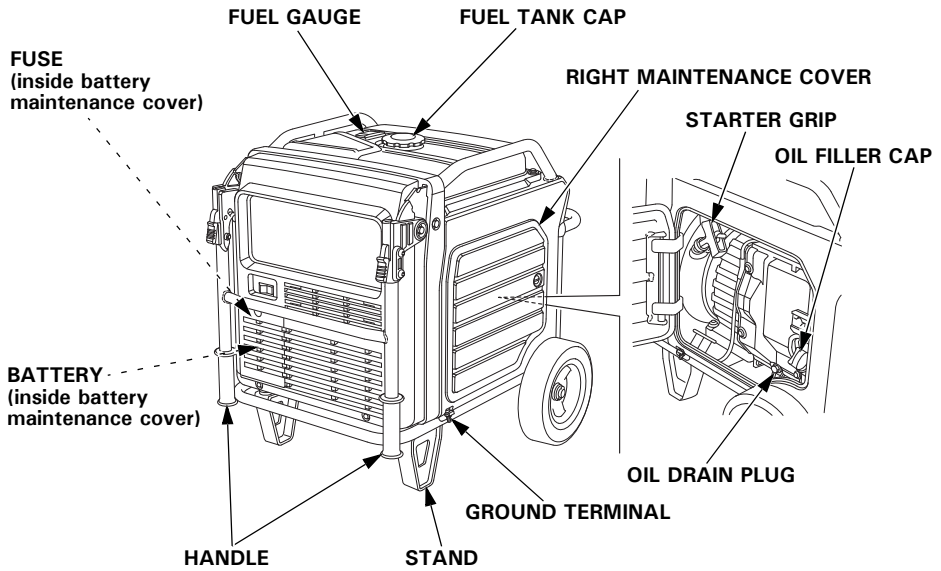
F type



IT type



CONTROLS & FEATURES



CONTROLS & FEATURES

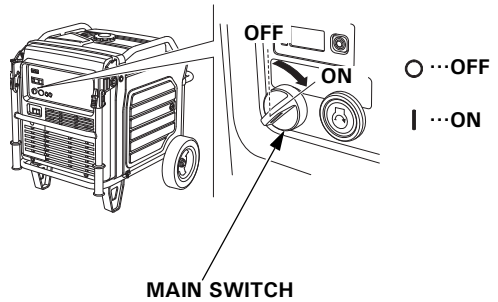
CONTROLS

MAIN Switch

The MAIN switch controls the ignition system.

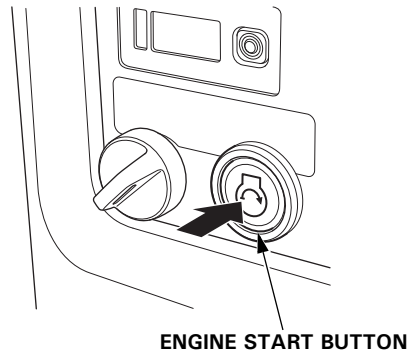
OFF – Stops the engine. The main switch key can be removed/inserted.

ON – Running position, and for starting with the ENGINE START button or recoil starter, and for using the remote control kit (optional parts).



ENGINE START Button

With the MAIN switch in the ON position, press and release the ENGINE START button to start the engine.

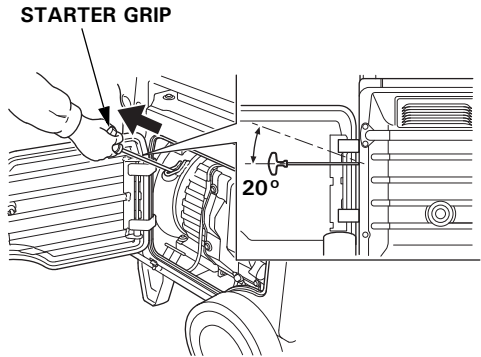


Starter Grip

Used when the battery voltage is too low to turn the starter motor. Pulling the starter grip operates the recoil starter to start the engine.

NOTICE

- *Do not exceed 20 degrees from horizontal when pulling the starter grip.*
- *Do not allow the starter grip to snap back against the engine. Return it gently to prevent damage to the starter.*
- *Do not let the starter rope rub against the generator body, or the rope will wear out prematurely.*



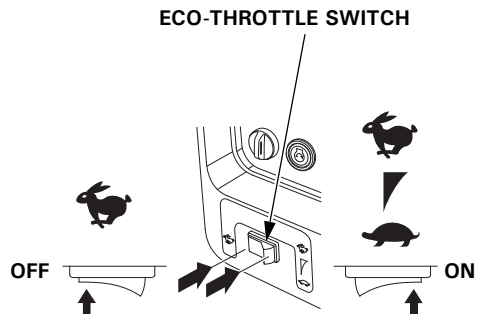
Eco-Throttle Switch

The Eco-Throttle system automatically reduces engine speed when all loads are turned off or disconnected. When appliances are turned on or reconnected, the engine returns to the proper speed to power the electrical load.

If high electrical loads are connected simultaneously, turn the Eco-Throttle switch to the OFF position to reduce voltage changes.

ON – Recommended to minimize fuel consumption and further reduce noise levels when a reduced load or no load is applied to the generator.

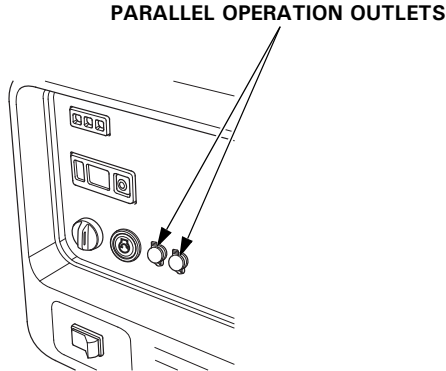
OFF – The Eco-Throttle system does not operate. Generator operates at full speed.



CONTROLS & FEATURES

Parallel Operation Outlets

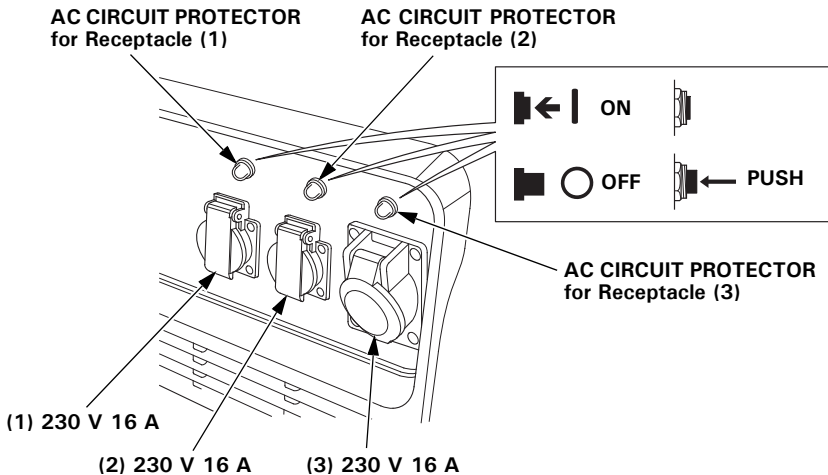
These outlets are used for connecting the EU70is to another EU70is generator for parallel operation (see page 42). A Honda approved parallel kit (optional equipment) is required for parallel operation. This kit can be purchased from your servicing dealer.



AC Circuit Protectors

The AC circuit protectors will automatically switch OFF if there is a short circuit or a significant overload of the generator at each receptacle. If an AC circuit protector switches OFF automatically, check that the appliance is working properly and does not exceed the rated load capacity of the circuit before resetting the AC circuit protector ON.

G, GW types



CONTROLS & FEATURES

Folding Handle

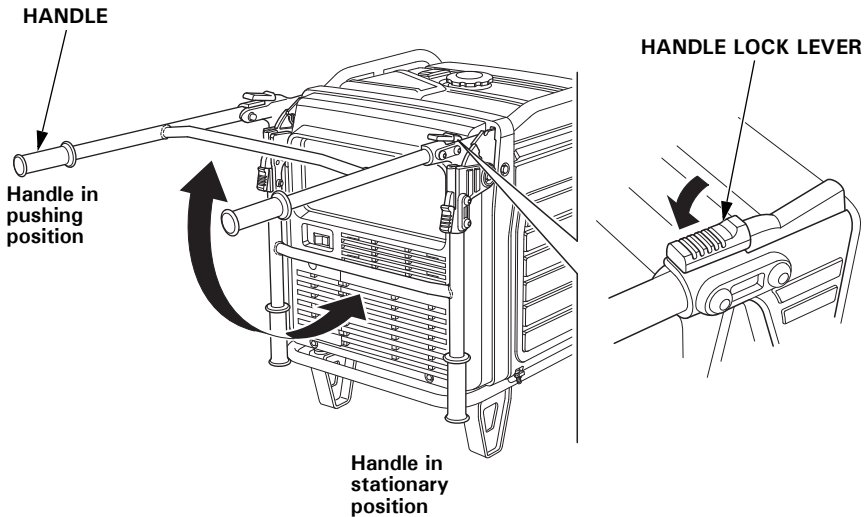
The foldable handle makes the generator easy to push and should be folded when the generator is stationary. Do not rest objects on the extended handle.

To Extend The Handle

Lift handle upward. Lock levers will lock and secure the handle into place.

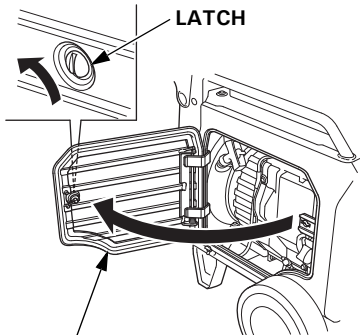
To Fold The Handle

1. Press both handle lock levers downward.
2. Lower the handle.



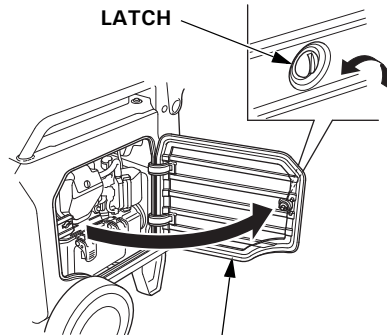
Maintenance Covers

Maintenance cover location.



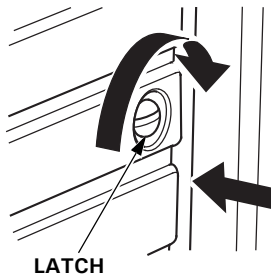
RIGHT MAINTENANCE COVER

- Engine oil level check
- Engine oil change
- Use recoil starter



LEFT MAINTENANCE COVER

- Spark plug inspection/replacement
- Air cleaner inspection/cleaning



Push the cover closed and turn the latch.

Be sure the maintenance covers are closed while the generator is running.

NOTICE

Running the generator with maintenance cover(s) open will adversely affect the engine performance, and will cause the generator to overheat.

To open:

Turn the latch 90° counterclockwise.

To close:

Turn the latch 90° clockwise to lock while pushing the cover.

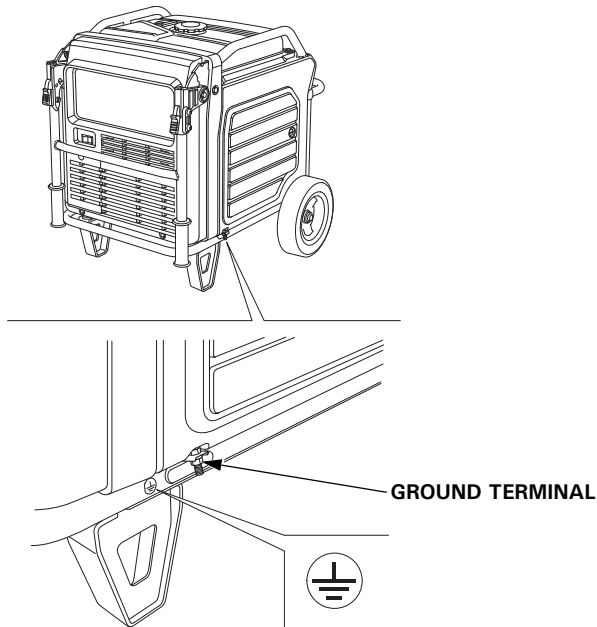
CONTROLS & FEATURES

FEATURES

Ground Terminal

The ground terminal is connected to the frame of the generator, the metal non-current-carrying parts of the generator, and the ground terminals of each receptacle.

Before using the ground terminal, consult a qualified electrician, electrical inspector, or local agency having jurisdiction for local codes or ordinances that apply to the intended use of the generator.



The generator produces enough electric power to cause a serious shock or electrocution if misused.

Be sure to ground the generator when the connected appliance is grounded.

To ground the terminal of the generator, use a copper wire with same or larger diameter than the cord of the connected appliance.

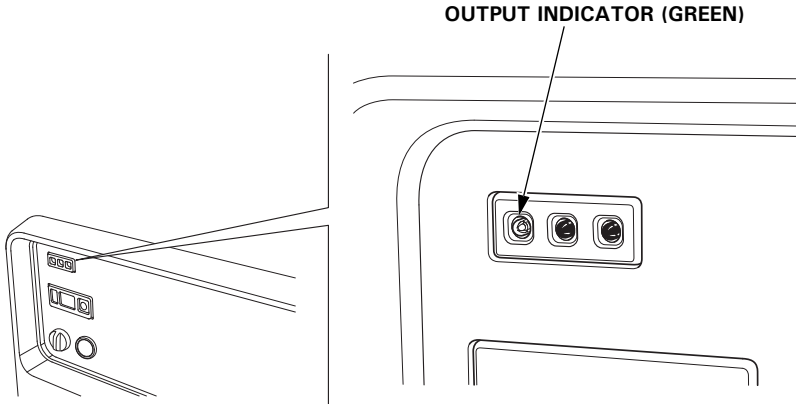
Use extension cord set with ground conductor when connecting an appliance with ground conductor.

To identify the Ground pin in the plug, see Receptacle page 79.

CONTROLS & FEATURES

OUTPUT Indicator

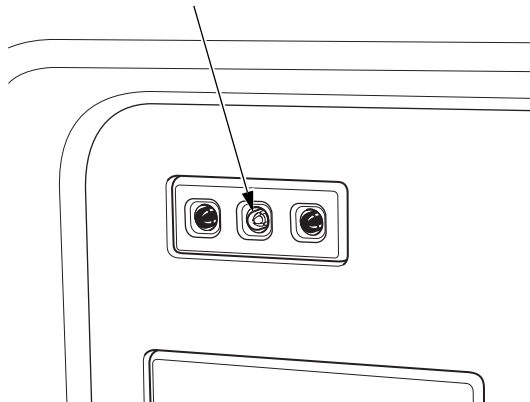
The green OUTPUT indicator is illuminated when the generator is operating normally. It indicates that the generator is producing electrical power at the receptacles.



OVERLOAD ALARM Indicator

If the generator is overloaded, or if there is a short circuit in a connected appliance, or if the inverter is overheated, the red OVERLOAD ALARM indicator will go ON. When the generator is operating overloaded, the red OVERLOAD ALARM indicator will stay ON and, after about five seconds, current to the connected appliance(s) will shut off, and the green OUTPUT indicator will go OFF.

OVERLOAD ALARM INDICATOR (RED)



CONTROLS & FEATURES

OIL ALERT/CHECK Indicator

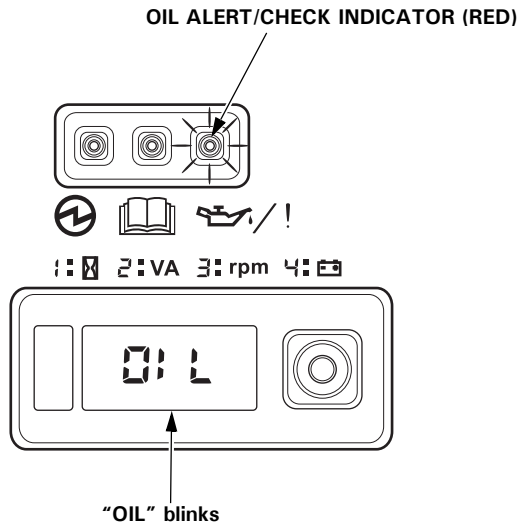
The Oil Alert system is designed to prevent engine damage caused by an insufficient amount of oil in the crankcase. Before the oil level in the crankcase can fall below a safe limit, the OIL ALERT/CHECK indicator comes ON, and the Oil Alert system will automatically stop the engine (the MAIN switch will remain in the ON position).

The i-Monitor display will blink "OIL" on the screen and the OIL ALERT/CHECK indicator will illuminate.

If the engine stops or the OIL ALERT/CHECK indicator comes ON when you press the ENGINE START button or pull the starter grip, check the engine oil level (see page 54) before troubleshooting in other areas.

Even when oil is added to the engine, the generator will not restart until the OIL ALERT/CHECK indicator is reset. To reset the OIL ALERT/CHECK indicator, turn the MAIN switch to the OFF position, add the proper amount of oil (see page 54), and then turn the MAIN switch back to the ON position.

If the OIL ALERT/CHECK indicator blinks, consult your servicing dealer.



CONTROLS & FEATURES

i-Monitor

The i-Monitor is a user interface that allows the operator to view (when the generator is running) total operating time in hours, generator output, engine RPM, battery voltage, and error messages. The different display modes are selected by pressing the i-Monitor button.

i-Monitor at Startup

During start up, the i-Monitor display and all three indicators will simultaneously blink once. The condition of the i-Monitor display and all three indicators can be checked. Once the generator is running, the green OUTPUT indicator and the i-Monitor display will remain lit.

Display Backlight Flashes

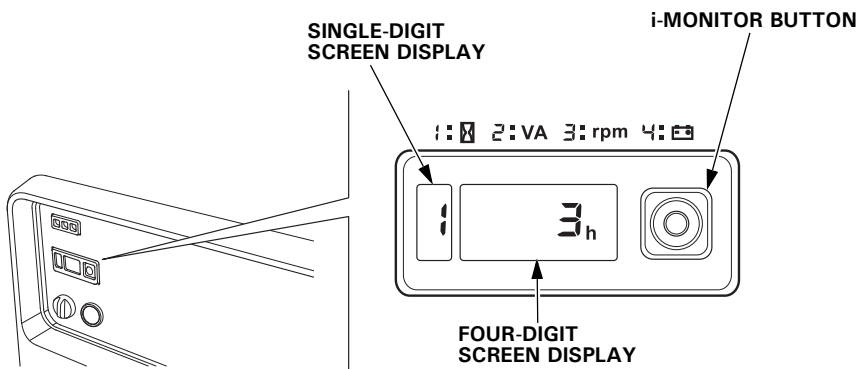
If the key is left in the ON position for over 30 seconds without starting the engine, the display will start to flash.

i-Monitor Display

The i-Monitor display is divided into two screens. The single-digit screen displays the i-Monitor mode, which is represented by a number 1 through 4. The four-digit screen displays the four mode values or any activated error messages.

i-Monitor Display Mode 1 – Total Operating Hours

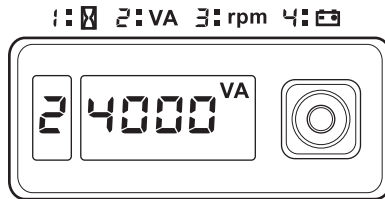
This mode displays the total operating hours of the generator. When the generator is running, the total operating time accumulates. If the total operating time is less than one hour, the numeric display will be "0." When the operating time is one hour or greater, the display will be "1" or "2" and so on. Base the generator's maintenance schedule on the accumulated time displayed.



CONTROLS & FEATURES

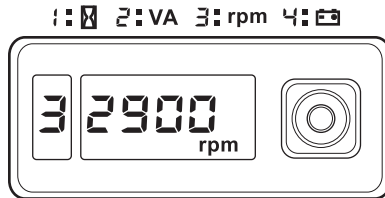
i-Monitor Display Mode 2 – Power Output

This mode displays an approximate generator output on the display screen. The output is expressed in VA (volt-amperes). The output value is not an exact measurement and should be regarded as a reference only. Power output will not display until a load is connected to the generator.



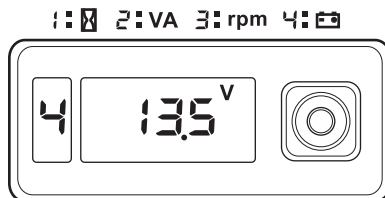
i-Monitor Display Mode 3 – Engine RPM

When the i-Monitor is in this mode, the engine's speed, expressed in revolutions-per-minute (RPM), is displayed.



i-Monitor Display Mode 4 – Battery Voltage

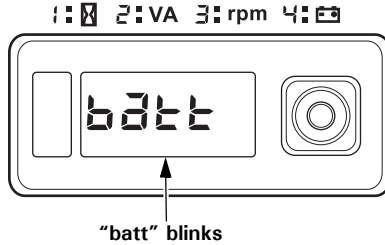
This mode displays the battery condition, expressed in Volts DC.



CONTROLS & FEATURES

i-Monitor Low Battery Message

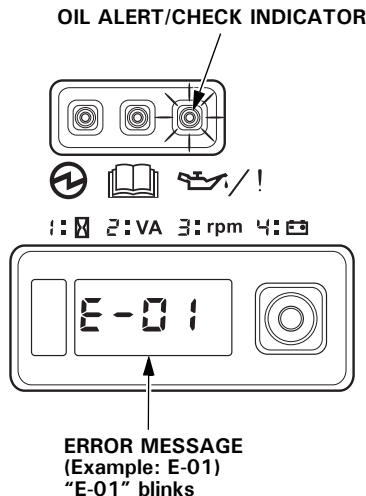
If the ENGINE START button is pressed and “batt” is blinked on the i-Monitor display, the battery voltage is too low to operate the engine’s electric starter. Use the recoil starter to start the generator. Have the battery recharged and checked (see page 65).



i-Monitor System Error Messages

If the generator has a system malfunction, it will blink an error message on the i-Monitor display. During remote control operation, an E-01 error message may display if the ENGINE START button is pressed for more than 10 seconds. With an E-01 error message, the engine will stay running and the electrical output may stay constant.

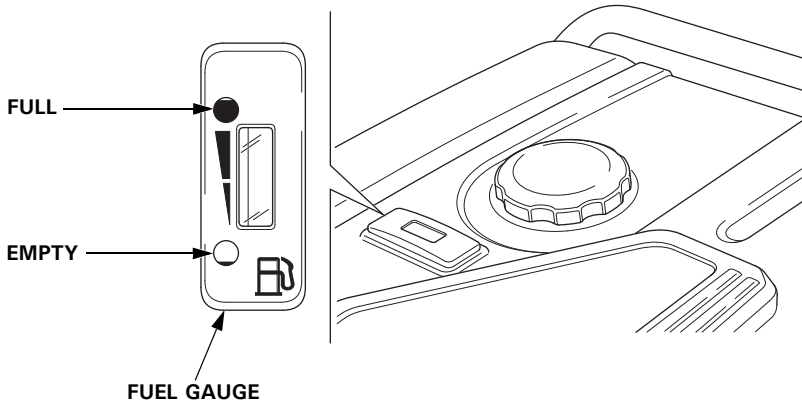
Normal remote control operation will be restored after the E-01 error message clears automatically. If the E-01 error message does not clear automatically or if any other error message displays, contact your servicing dealer.



CONTROLS & FEATURES

Fuel Gauge

The fuel gauge is a mechanical device that measures the fuel level in the tank. The red indicator in the window will reference the level in relation to full or empty. To provide increased operating time, start with a full tank before operation. Check the fuel level with the generator on a level surface. Always refuel with the engine OFF and cool.



BEFORE OPERATION

ARE YOU READY TO GET STARTED?

Your safety is your responsibility. A little time spent in preparation will significantly reduce your risk of injury.

Knowledge

Read and understand this manual. Know what the controls do and how to operate them.

Familiarize yourself with the generator and its operation before you begin using it. Know how to quickly shut off the generator in case of an emergency.

If the generator is being used to power appliances, be sure that they do not exceed the generator's load rating (see page 41).

IS YOUR GENERATOR READY TO GO?

For your safety, to ensure compliance with environmental regulations, and to maximize the service life of your equipment, it is very important to take a few moments before you operate the generator to check its condition. Be sure to take care of any problem you find, or have your servicing dealer correct it, before you operate the generator.

WARNING

Improperly maintaining this generator, or failing to correct a problem before operation, could cause a malfunction in which you could be seriously injured.

Always perform a pre-operation inspection before each operation, and correct any problem.

To prevent a possible fire, keep the generator at least 1 meter (3 feet) away from building walls and other equipment during operation. Do not place flammable objects close to the engine.

Before beginning your pre-operation checks, be sure the generator is on a level and firm surface and the MAIN switch is in the OFF position.

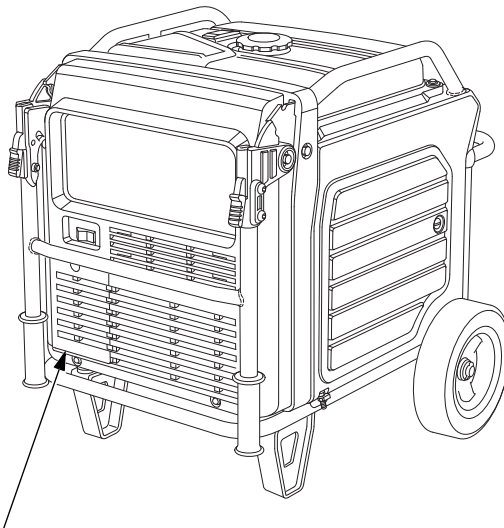
BEFORE OPERATION

Check the Engine

- Before each use, look around and underneath the engine for signs of oil or gasoline leaks.
- Check the engine oil level (see page 54). A low engine oil level will cause the Oil Alert system to shut down the engine.
- Check the air filters (see page 57). Dirty air filters will restrict air flow to the fuel system, reducing engine and generator performance.
- Check the fuel level (see page 52). Starting with a full tank will help to eliminate or reduce operating interruptions for refueling.

Battery Maintenance Cover

Never operate the generator with the battery maintenance cover open, as poor engine and generator performance will result.



BATTERY MAINTENANCE COVER

OPERATION

SAFE OPERATING PRECAUTIONS

Before operating the generator for the first time, review chapters *GENERATOR SAFETY* (see page 6) and *BEFORE OPERATION* (see page 29).

For your safety, do not operate the generator in an enclosed area such as a garage. Your generator's exhaust contains poisonous carbon monoxide gas that can collect rapidly in an enclosed area and cause illness or death.

WARNING

Exhaust contains poisonous carbon monoxide gas that can build up to dangerous levels in closed areas. Breathing carbon monoxide can cause unconsciousness or death.

Never run the generator in a closed, or even partly closed area where people may be present.

Before connecting an AC appliance or power cord to the generator:

- Use grounded 3-prong extension cords, tools, and appliances, or double-insulated tools and appliances.
- Inspect cords and plugs, and replace if damaged.
- Make sure that the appliance is in good working order. Faulty appliances or power cords can create a potential for electric shock.
- Make sure the electrical rating of the tool or appliance does not exceed the rated power of the generator or the receptacle being used.
- Operate the generator at least 1 meter (3 feet) away from buildings and other equipment.
- Do not operate the generator in an enclosed structure.
- Do not place flammable objects close to the engine.

OPERATION

- Do not exceed the current limit specified for any one receptacle.
- Do not modify or use the generator for other purposes than it is intended for. Also observe the following when using the generator.
- Do not connect an extension to the exhaust pipe.
- When an extension cable is required, be sure to use a tough rubber sheathed flexible cable (IEC 245 or equivalent).
- Limit length of extension cables; 60 m (200 feet) for cables of 1.5 mm² (0.0023 in²) and 100 m (330 feet) for cables of 2.5 mm² (0.0039 in²). Long extension cables will lower usable power due to resistance in the extension cable.
- Keep the generator away from other electric cables or wires such as commercial power supply lines.

Frequency of Use

If your generator will be used on an infrequent or intermittent basis, (more than 4 weeks before next use), please refer to the Battery Service section of the *SERVICING YOUR GENERATOR* (see page 62) and the Fuel section of the *STORAGE* chapter (see page 67) for additional information regarding battery and fuel deterioration.

STARTING THE ENGINE

To prevent a possible fire, keep the generator at least 1 meter (3 feet) away from building walls and other equipment during operation. Do not place flammable objects close to the engine.

NOTICE

- *Operating this generator less than 1 meter (3 feet) from a building or other obstruction can cause overheating and damage the generator.*
- *For proper cooling, allow at least 1 meter (3 feet) of empty space above and around the generator.*
Keep all cooling holes open and clear of debris, mud, water, etc.
Cooling holes are located on the control panel and the bottom of the generator. If the cooling holes are blocked, the generator may overheat and damage the engine, inverter, or windings.

Refer to *SAFE OPERATING PRECAUTIONS* on page 31 and perform the *IS YOUR GENERATOR READY TO GO?* checks (see page 29).

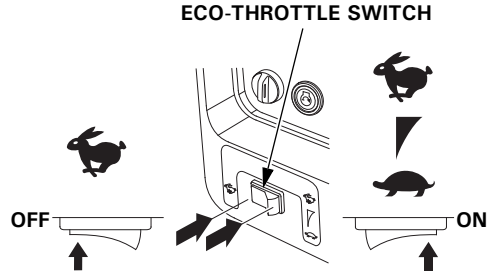
Refer to *AC OPERATION* (see page 39) for connecting loads to the generator.

1. Make sure that all appliances are disconnected from the AC receptacles.

OPERATION

2. Make sure the Eco-Throttle switch is in the OFF position, or more time will be required for warm-up.

If you wish to use the Eco-Throttle system, turn the Eco-Throttle switch to the ON position after the engine has warmed up for 2 or 3 minutes.

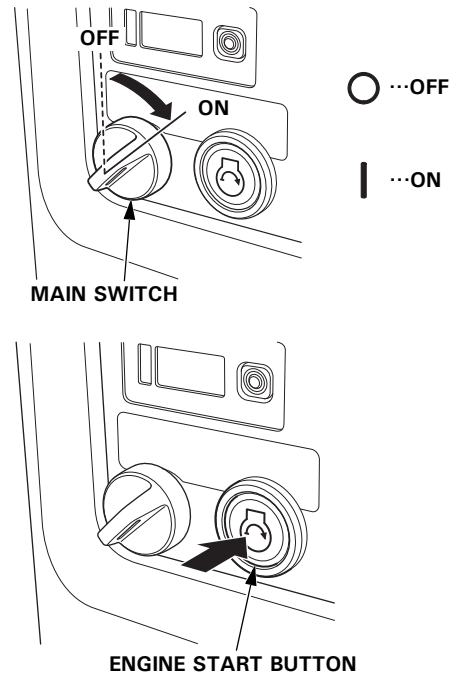


3. Turn the MAIN switch to the ON position.

4. Press and release the ENGINE START button.

The ENGINE START button functions for 5 seconds. As soon as the engine starts, the starter will stop automatically.

If the engine fails to start, wait at least 10 seconds before operating the starter again.



Do not leave the MAIN switch in the ON position when the generator is not operating or the battery will be drained. Turn the MAIN switch to the OFF position when not in use.

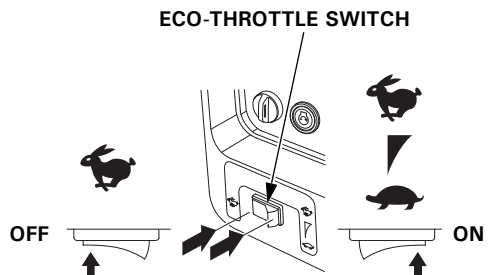
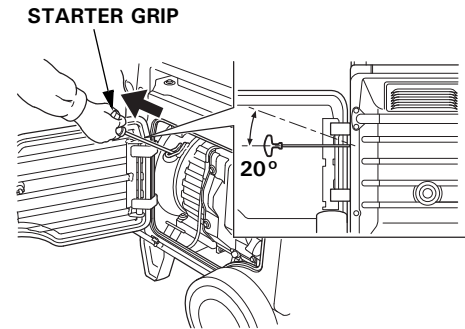
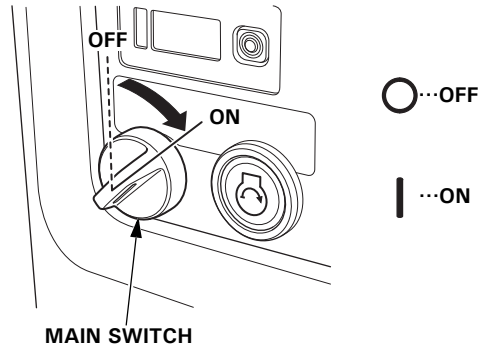
- Use the recoil starter when the battery voltage is too low to turn the starter motor.
 - a. Turn the MAIN switch to the ON position.
 - b. Open the right maintenance cover by turning its latch counterclockwise.
 - c. Pull the starter grip lightly until you feel resistance; then pull briskly in the direction of the arrow as shown.

NOTICE

- *Do not exceed 20 degrees from horizontal when pulling the starter grip.*
- *Do not allow the starter grip to snap back against the engine. Return it gently to prevent damage to the starter.*
- *Do not let the starter rope rub against the generator body, or the rope will wear out prematurely.*

- d. Close the right maintenance cover by turning its latch clockwise.

5. If you wish to use the Eco-Throttle system, turn the Eco-Throttle switch to the ON position after the engine has warmed up for 2 or 3 minutes.



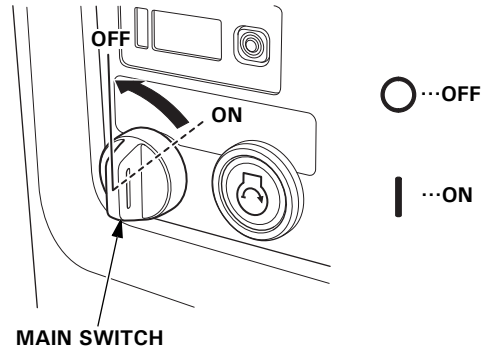
OPERATION

STOPPING THE ENGINE

To stop the engine in an emergency, simply turn the MAIN switch to the OFF position.

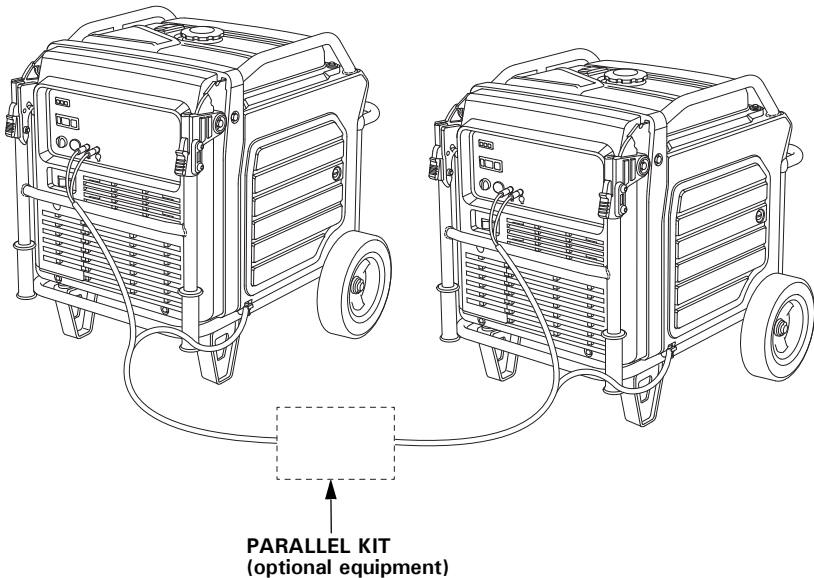
Under normal conditions, use the following procedure.

1. Turn the MAIN switch to the OFF position.



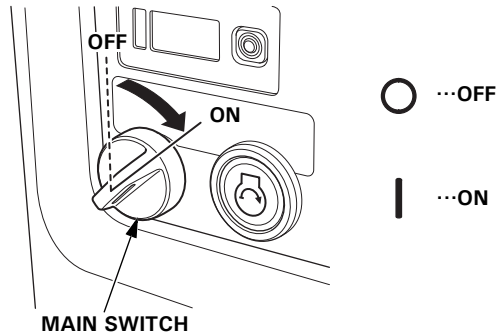
2. Unplug all appliances from the generator AC receptacles.

3. If two generators were connected for parallel operation, disconnect the parallel operation cable after stopping the engines if you do not wish to resume parallel operation.



STARTING THE ENGINE with REMOTE CONTROL (Optional part)

1. Turn the MAIN switch of the generator to the ON position.



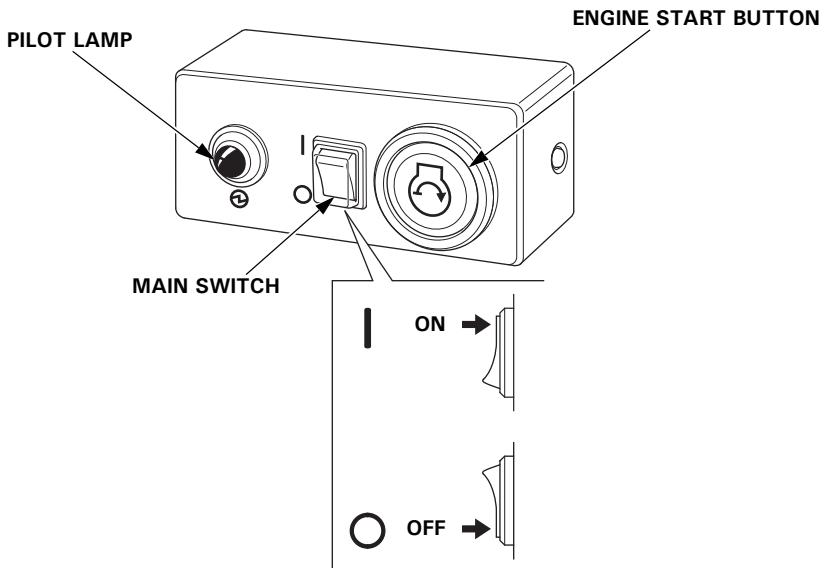
2. Turn the MAIN switch of the remote control to the ON position.

3. Press and release the ENGINE START button.

The ENGINE START button functions for 5 seconds. As soon as the engine starts, the starter will stop automatically.

The pilot lamp comes on when the engine starts.

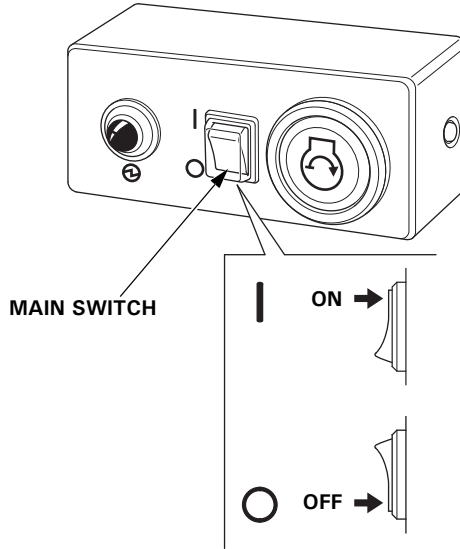
If the engine fails to start, wait at least 10 seconds before operating the starter again.



OPERATION

STOPPING THE ENGINE with REMOTE CONTROL (Optional part)

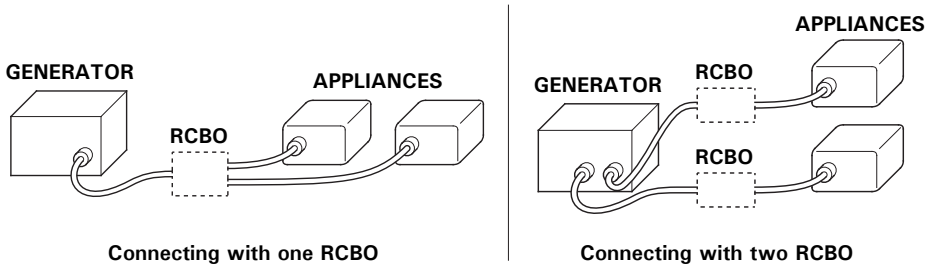
1. Turn the MAIN switch of the remote control to the OFF position.



AC OPERATION

Connect a RCBO (Residual current circuit breaker with overload protection) of 30 mA ground fault detection and cut-off of less than 0.4 seconds at more than 30 A of output current, if you are using two or more appliance.

Follow the instructions provided by each RCBO manufacturer before use.



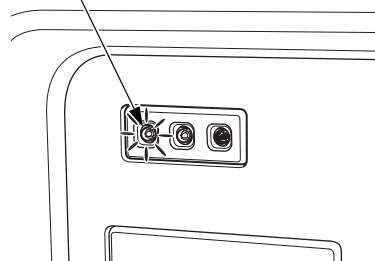
If an appliance begins to operate abnormally, becomes sluggish, or stops suddenly, turn it off immediately. Disconnect the appliance, and determine whether the problem is in the appliance or the rated load capacity of the generator has been exceeded.

NOTICE

Substantial overloading that continuously lights the red OVERLOAD ALARM indicator may damage the generator. Marginal overloading that temporarily lights the red OVERLOAD ALARM indicator may shorten the service life of the generator.

1. Start the engine and make sure the green OUTPUT indicator comes on.

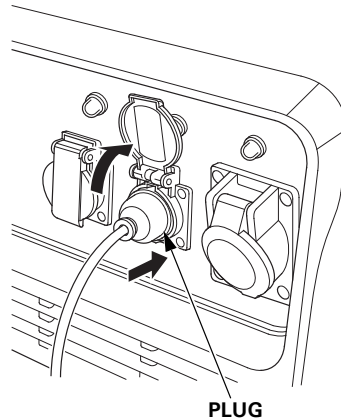
OUTPUT INDICATOR (GREEN)



OPERATION

2. Plug in the appliance.

Most motorized appliances require more than their rated wattage for startup.



If the generator is overloaded, or if there is a short circuit in a connected appliance, or if the inverter is overheated, the red OVERLOAD ALARM indicator will come ON. The red OVERLOAD ALARM indicator will stay ON and, after about five seconds, current to the connected appliance(s) will shut off, and the green OUTPUT indicator will go OFF. Stop the engine and investigate the problem.

Determine if the cause is a short circuit in a connected appliance, an overload, or an overheated inverter. Correct the problem and restart the generator.

Before connecting an appliance to the generator, make sure that it is in good order and that its electrical rating does not exceed that of the generator. Then start the generator and connect the appliance power cord.

When an electric motor is started, the red OVERLOAD ALARM indicator may come on. This is normal if the red OVERLOAD ALARM indicator goes OFF after about five seconds. If the red OVERLOAD ALARM indicator stays ON, consult your servicing dealer.

AC Applications

Before connecting an appliance or power cord to the generator:

- Make sure that it is in good working order. Faulty appliances or power cords can create a potential for electrical shock.
- If an appliance begins to operate abnormally, becomes sluggish, or stops suddenly, turn it off immediately. Disconnect the appliance, and determine whether the problem is the appliance or the rated load capacity of the generator has been exceeded.

Most appliance motors require more than their rated wattage for startup.

Make sure the electrical rating of the tool or appliance does not exceed the maximum power rating of the generator.

Maximum power is:

7.0 kVA

For continuous operation, do not exceed the rated power.

Rated power is:

5.5 kVA

In either case, the total power requirements (VA) of all appliances connected must be considered. Appliance and power tool manufacturers usually list rating information near the model number or serial number.

NOTICE

Substantial overloading will open the circuit protector. Slightly overloading the generator may not switch the circuit protector OFF, but will shorten the service life of the generator.

OPERATION

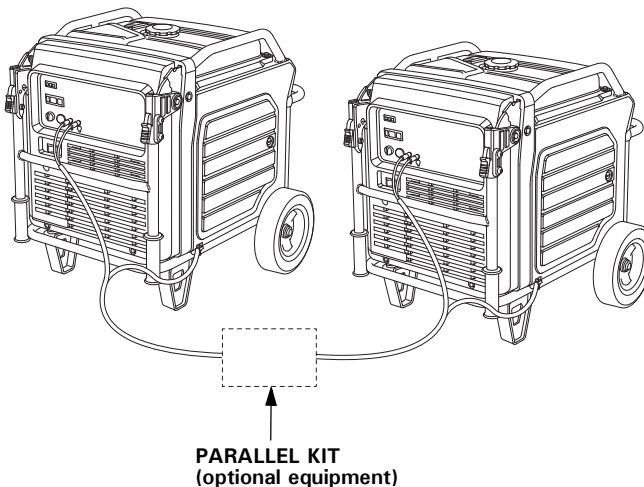
AC PARALLEL OPERATION

Before connecting an appliance to either generator, make sure that the appliance is in good working order and that its electrical rating does not exceed that of the receptacle.

Most motorized appliances require more than their electrical rating for startup. When an electric motor is started, the OVERLOAD ALARM indicator (red) may come ON. This is normal if the OVERLOAD ALARM indicator (red) goes OFF within 5 seconds. If the OVERLOAD ALARM indicator (red) stays ON, consult your servicing dealer.

During parallel operation, the Eco-Throttle switch should be in the same position on both generators.

1. Connect the parallel operation cable between two EU70is generators following the instructions supplied with the parallel kit.



2. Start the engine on each generator and make sure each OUTPUT indicator (green) comes ON.
3. Plug in the appliance following the instructions provided with the parallel kit.
4. Turn on the appliance.

If the generators are overloaded (see page 45), or if there is a short circuit in a connected appliance, the OVERLOAD ALARM indicators (red) will come ON. The OVERLOAD ALARM indicators (red) will stay ON, and after about five seconds, current to the connected appliance(s) will shut off, and the OUTPUT indicators (green) will go OFF. Stop both engines and investigate the problem.

Determine if the cause is a short circuit in a connected appliance or an overload. Correct the problem and restart the generators.

OPERATION

AC Parallel Operation Applications

Two EU70is generators can be connected together to increase the available power using a parallel kit (optional equipment).

Follow the instructions included with the parallel kit.

Before connecting an appliance or power cord to the generator:

- Make sure that it is in good working order. Faulty appliances or power cords can create a potential for electrical shock.
- If an appliance begins to operate abnormally, becomes sluggish, or stops suddenly, turn it off immediately. Disconnect the appliance, and determine whether the problem is the appliance or the rated load capacity of the generator has been exceeded.
- Never connect different generator models.
- For parallel operation, use only a Honda approved parallel kit (optional equipment) when connecting one EU70is to another EU70is generator.
- Never connect or remove the parallel operation cable when the generator is running.
- For single generator operation, the parallel operation cable must be disconnected from both generators.

Most appliance motors require more than their rated wattage for startup.

Make sure the electrical rating of the tool or appliance does not exceed the maximum power rating of the generator.

Maximum power in parallel operation is:

14.0 kVA (Observe to the Parallel Kit power limit instruction.)

For continuous operation, do not exceed the rated power.

Rated power in parallel operation is:

11.0 kVA (Observe to the Parallel Kit power limit instruction.)

In either case, the total power requirements (VA) of all appliances connected must be considered. Appliance and power tool manufacturers usually list rating information near the model number or serial number.

NOTICE

Substantial overloading that continuously lights the red OVERLOAD ALARM indicator may damage the generator. Marginal overloading that temporarily lights the red OVERLOAD ALARM indicator may shorten the service life of the generator.

OPERATION

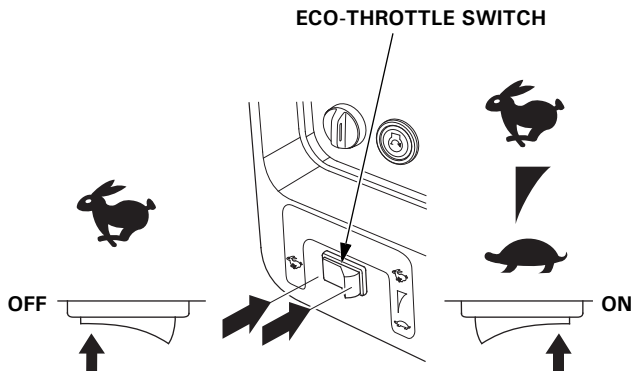
ECO-THROTTLE SYSTEM

With the switch in the ON position, engine speed is automatically lowered when loads are reduced, turned off, or disconnected. When appliances are turned on or reconnected, the engine returns to the proper speed to power the electrical load. In the OFF position, the Eco-Throttle system does not operate.

Appliances with large start-up power demands may not allow the engine to reach normal operating rpm when they are connected to the generator. Turn the Eco-Throttle switch to the OFF position and connect the appliance to the generator. If the engine still will not reach normal operating speed, check that the appliance does not exceed the rated load capacity of the generator.

If high electrical loads are connected simultaneously, turn the Eco-Throttle switch to the OFF position to reduce voltage changes.

The Eco-Throttle system is not effective for use with appliances or tools that require only momentary power. If the tool or appliance will be turned ON and OFF quickly, the Eco-Throttle switch should be in the OFF position.



STANDBY POWER

Connections to a Building's Electrical System

Connections for standby power to a building's electrical system must be made by a qualified electrician. The connection must isolate the generator power from utility power, and must comply with all applicable laws and electrical codes.

⚠ WARNING

Improper connections to a building's electrical system can allow current from the generator to backfeed into the utility lines.

Such backfeed may electrocute utility company workers or others who contact the lines during a power outage, and the generator may explode, burn, or cause fires when utility power is restored.

Consult the utility company or a qualified electrician prior to making any power connections.

In some areas, generators are required by law to be registered with local utility companies. Check local regulations for proper registration and use procedures.

System Ground

This generator has a system ground that connects generator frame components to ground terminals in the AC output receptacles. The system ground is not connected to the AC neutral wire.

OPERATION

Special Requirements

There may be applicable laws, local codes, or ordinances that apply to the intended use of the generator. Please consult a qualified electrician, electrical inspector, or the local agency having jurisdiction.

- In some areas, generators are required to be registered with local utility companies.
- If the generator is used at a construction site, there may be additional regulations that must be observed.

SERVICING YOUR GENERATOR

THE IMPORTANCE OF MAINTENANCE

Good maintenance is essential for safe, economical, and trouble-free operation. It will also help reduce air pollution.

To help you properly care for your generator, the following pages include a maintenance schedule, routine inspection procedures, and simple maintenance procedures using basic hand tools. Other service tasks that are more difficult or require special tools are best handled by professionals and are normally performed by a Honda technician or other qualified mechanic.

The maintenance schedule applies to normal operating conditions. If you operate your generator under unusual conditions, such as sustained high-load or high-temperature operation, or use it in dusty conditions, consult your servicing dealer for recommendations applicable to your individual needs and use.

⚠ WARNING

Improper maintenance, or failure to correct a problem before operation, can cause a malfunction in which you can be seriously hurt or killed.

Always follow the inspection and maintenance recommendations and schedules in this owner's manual.

Remember that an authorized Honda servicing dealer knows your generator best and is fully equipped to maintain and repair it.

To ensure the best quality and reliability, use only new, Honda Genuine parts or their equivalents for repair and replacement.

SERVICING YOUR GENERATOR

MAINTENANCE SAFETY

Some of the most important safety precautions follow. However, we cannot warn you of every conceivable hazard that can arise in performing maintenance. Only you can decide whether or not you should perform a given task.

WARNING

Failure to properly follow maintenance instructions and precautions can cause you to be seriously hurt or killed.

Always follow the procedures and precautions in the owner's manual.

Safety Precautions

Make sure the engine is off before you begin any maintenance or repairs. This will eliminate several potential hazards:

- Carbon monoxide poisoning from engine exhaust.**
Operate outside away from open windows or doors.
- Burns from hot parts.**
Let the engine and exhaust system cool before touching.
- Injury from moving parts.**
Do not run the engine unless instructed to do so.
- Read the instructions before you begin, and make sure you have the tools and skills required.
- To reduce the possibility of fire or explosion, be careful when working around gasoline. Use only a non-flammable solvent, not gasoline, to clean parts. Keep cigarettes, sparks, and flames away from all fuel-related parts.

SERVICING YOUR GENERATOR

MAINTENANCE SCHEDULE

REGULAR SERVICE PERIOD (3) ITEM Perform at every indicated month or operating hour interval, whichever comes first.		Each use	First month or 20 hrs.	Every 3 months or 50 hrs.	Every 6 months or 100 hrs.	Every year or 300 hrs.	Page	
Engine oil	Check level	o					54	
	Change		o		o		55	
Air cleaner	Check	o					57	
	Clean			o (1)			58	
	Replace					o (*)	57	
Spark plug	Check-adjust				o		59	
	Replace					o	59	
Spark arrester	Clean				o		61	
Valve clearance	Check-adjust					o (2)	—	
Combustion chamber	Clean	After every 1,000 hrs. (2)						—
Fuel tank	Clean	Every 2 years or 1,000 hrs. (2)						—
Fuel filter	Change	Every 2 years or 1,000 hrs. (2) (4)						—
Fuel tube	Check	Every 2 years (Replace if necessary) (2) (4)						—

NOTE:

(*) Replace paper element type only.

(1) Service more frequently when used in dusty areas.

(2) These items should be serviced by your servicing dealer, unless you have the proper tools and are mechanically proficient. Refer to the Honda shop manual for service procedures.

(3) For commercial use, log hours of operation to determine proper maintenance intervals.

(4) In the event of cracks or fracture in the fuel filter grommet and regulator grommet, replace the part with a new one.

This generator is equipped with a catalytic converter. If the engine is not properly maintained, the catalyst in the muffler may lose effectiveness.

SERVICING YOUR GENERATOR

REFUELING

With the engine stopped, check the fuel level gauge. Refill the fuel tank if the fuel level is low.

⚠ WARNING

Gasoline is highly flammable and explosive.

You can be burned or seriously injured when handling fuel.

- Stop the engine and keep heat, sparks, and flame away.
- Handle fuel only outdoors.
- Wipe up spills immediately.

NOTICE

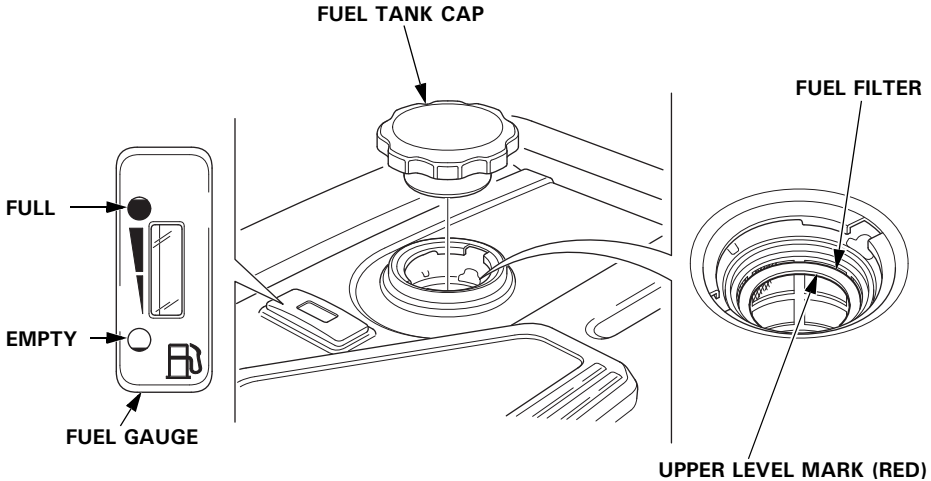
Fuel can damage paint and plastic. Be careful not to spill fuel when filling your fuel tank. Damage caused by spilled fuel is not covered under warranty.

Refuel in a well-ventilated area before starting the engine. If the engine has been running, allow it to cool. Refuel carefully to avoid spilling fuel. Do not fill the fuel tank above the upper level mark (red) on the fuel filter.

Never refuel the engine inside a building where gasoline fumes may reach flames or sparks. Keep gasoline away from appliance pilot lights, barbecues, electric appliances, power tools, etc.

Spilled fuel is not only a fire hazard, it causes environmental damage. Wipe up spills immediately.

SERVICING YOUR GENERATOR



After refueling, reinstall the fuel tank cap securely.

FUEL RECOMMENDATIONS

This engine is certified to operate on regular unleaded gasoline with a Research Octane Number of 89 or higher. Use unleaded gasoline only, or the catalyzer will loose its effectiveness and negatively affect exhaust emissions.

Never use stale or contaminated gasoline or an oil/gasoline mixture. Avoid getting dirt or water in the fuel tank.

You may use regular unleaded gasoline containing no more than 10% ethanol (E10) or 5% methanol by volume. In addition, methanol must contain cosolvents and corrosion inhibitors.

Use of fuels with content of ethanol or methanol greater than shown above may cause starting and/or performance problems. It may also damage metal, rubber, and plastic parts of the fuel system.

Engine damage or performance problems that result from using a fuel with percentages of ethanol or methanol greater than shown above and leaded gasoline are not covered under warranty.

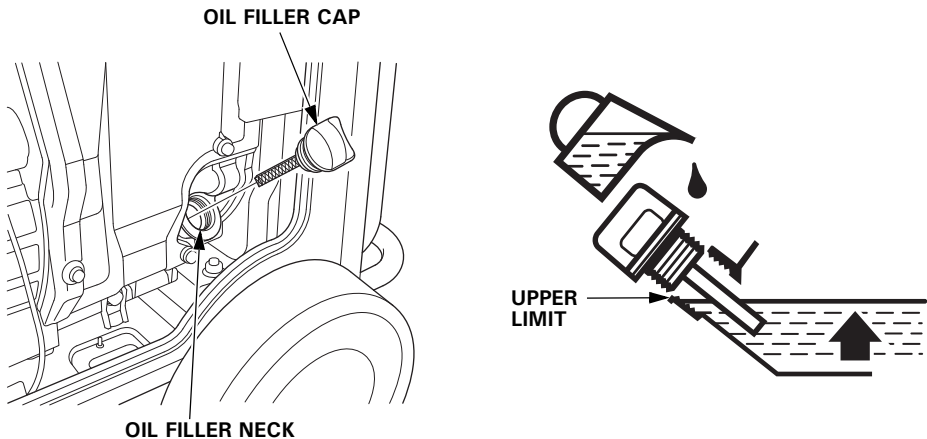
If your equipment will be used on an infrequent basis, please refer to the fuel section of the *STORAGE* chapter (see page 67) for additional information regarding fuel deterioration.

SERVICING YOUR GENERATOR

ENGINE OIL LEVEL CHECK

Check the engine oil level with the generator on a level surface and the engine stopped.

1. Open the right maintenance cover by turning its latch counterclockwise.
2. Remove the oil filler cap.
3. Check the oil level. If it is below the upper limit, fill with the recommended oil (see page 56) to the upper limit of the oil filler neck.
4. Reinstall the oil filler cap securely.
5. Close the right maintenance cover by turning its latch clockwise.



The Oil Alert system will automatically stop the engine before the oil level falls below safe limits. However, to avoid the inconvenience of an unexpected shutdown, check the oil level regularly.

SERVICING YOUR GENERATOR

ENGINE OIL CHANGE

Drain the oil while the engine is warm to assure rapid and complete draining.

1. Open the right maintenance cover by turning its latch counterclockwise.
2. Reach under the generator and remove the black rubber seal located below the oil drain plug.
3. Place a suitable container underneath the generator to catch the used oil.
4. Remove the oil filler cap.
5. Remove the oil drain plug and sealing washer and allow the oil to drain completely.
6. Reinstall the oil drain plug and a new sealing washer. Tighten the plug securely.
7. Reach under the generator and reinstall the black rubber seal.

NOTICE

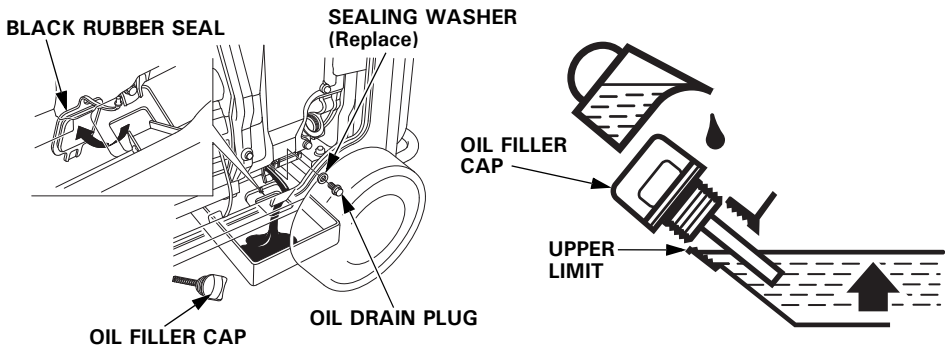
Improper disposal of engine oil can be harmful to the environment. If you change your own oil, please dispose of the used oil properly. Put it in a sealed container, and take it to a recycling center. Do not discard it in a trash bin, dump it on the ground, or pour it down the drain.

8. With the generator in a level position, fill with the recommended oil (see page 56) to the upper limit of the oil filler neck.

Maximum oil capacity: 1.1 L (1.16 US qt, 0.97 Imp qt)

9. Reinstall the oil filler cap securely.
10. Close the right maintenance cover by turning its latch clockwise.

Wash your hands with soap and water after handling used oil.



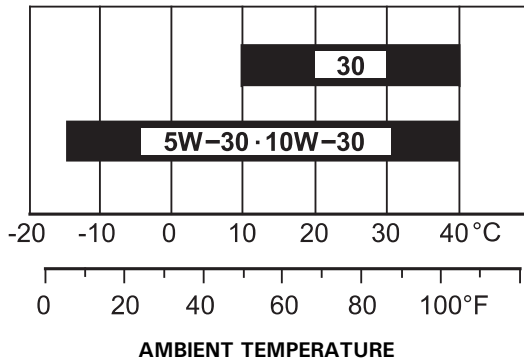
SERVICING YOUR GENERATOR

ENGINE OIL RECOMMENDATIONS

Oil is a major factor affecting engine performance and service life.

Use 4-stroke motor oil that meets or exceeds the requirements for API service category SE or later (or equivalent). Always check the API SERVICE label on the oil container to be sure it includes the letters SE or later (or equivalent).

SAE 10W-30 is recommended for general use. Other viscosities shown in the chart may be used when the average temperature in your area is within the recommended range.

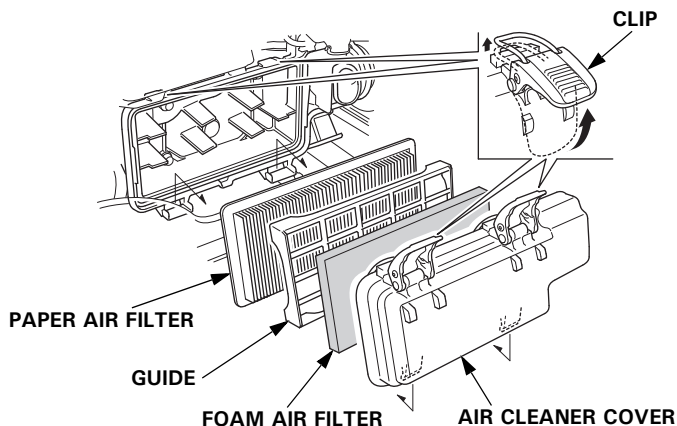


Read the instruction on the oil container before use.

SERVICING YOUR GENERATOR

AIR CLEANER SERVICE

1. Open the left maintenance cover by turning its latch counterclockwise.
2. Unsnap the air cleaner cover clips; remove the air cleaner cover.



3. Foam air filter:
 - a. Remove the foam air filter from the air cleaner cover.
 - b. Check the foam air filter to be sure it is clean and in good condition.
If the foam air filter is dirty, clean it as described on page 58.
Replace the foam air filter if it is damaged.
 - c. Reinstall the foam air filter in the air cleaner cover.
4. Paper air filter:
 - a. Remove the guide.
 - b. If the paper air filter is dirty, replace it with a new one.
Do not clean the paper air filter.
5. Reinstall the guide and the air cleaner cover.
6. Close the left maintenance cover.

NOTICE

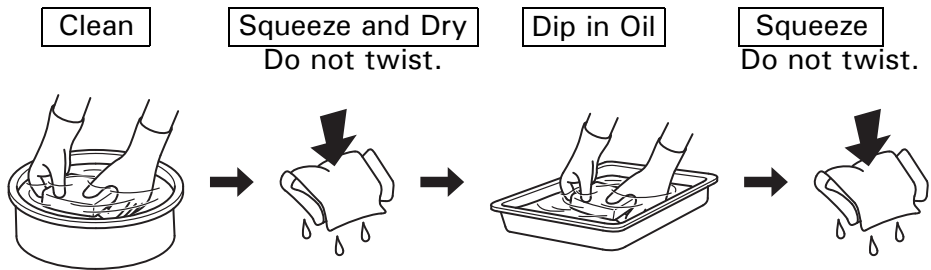
Operating the engine without the air filters, or with a damaged air filters, will allow dirt to enter the engine, causing rapid engine wear.

SERVICING YOUR GENERATOR

FOAM AIR FILTER CLEANING

A dirty foam air filter will restrict air flow to the fuel system, reducing engine performance. If you operate the generator in very dusty areas, clean the foam air filter more frequently than specified in the Maintenance Schedule.

1. Clean the foam air filter in warm soapy water, rinse, and allow to dry thoroughly, or clean in non-flammable solvent and allow to dry.
2. Dip the foam air filter in clean engine oil, and then squeeze out all excess oil. The engine will smoke when started if too much oil is left in the foam air filter.



3. Wipe dirt from the inside of the air cleaner cover using a moist rag. Be careful to prevent dirt from entering the air duct that leads to the fuel system.

SERVICING YOUR GENERATOR

SPARK PLUG SERVICE

Recommended spark plugs: BPR6ES (NGK)

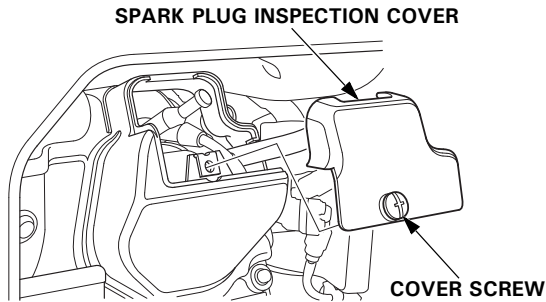
To ensure proper engine operation, the spark plug must be properly gapped and free of deposits.

NOTICE

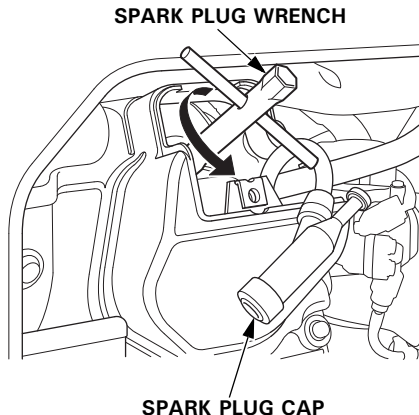
An incorrect spark plug can cause engine damage.

If the engine is hot, allow it to cool before servicing the spark plug.

1. Open the left maintenance cover by turning its latch counterclockwise.
2. Loosen the cover screw and remove the spark plug inspection cover.



3. Disconnect the spark plug cap, and remove any dirt from around the spark plug area.
4. Remove the spark plug with the spark plug wrench.

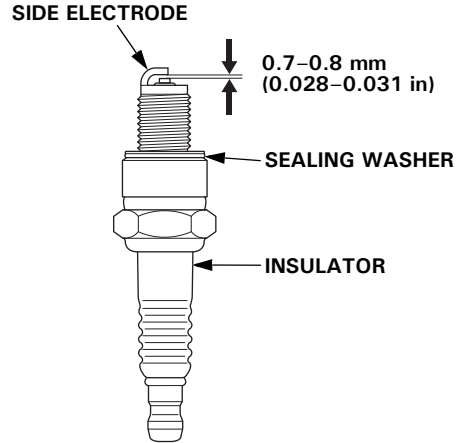


SERVICING YOUR GENERATOR

5. Inspect the spark plug. Replace it if the electrodes are worn or fouled, or if the insulator is cracked or chipped.

6. Measure the spark plug electrode gap with a wire-type feeler gauge. Correct the gap, if necessary, by carefully bending the side electrode.

The gap should be:
0.7–0.8 mm (0.028–0.031 in)



7. Make sure that the spark plug sealing washer is in good condition, and thread the spark plug in by hand to prevent cross-threading.

8. After the spark plug is seated, tighten with the spark plug wrench to compress the washer.

If reinstalling a used spark plug, tighten 1/8–1/4 turn after the spark plug seats.

If installing a new spark plug, tighten 1/2 turn after the spark plug seats.

NOTICE

A loose spark plug can overheat and damage the engine.

Overtightening the spark plug can damage the threads in the cylinder head.

9. Attach the spark plug cap.

10. Reinstall the spark plug inspection cover and tighten the cover screw.

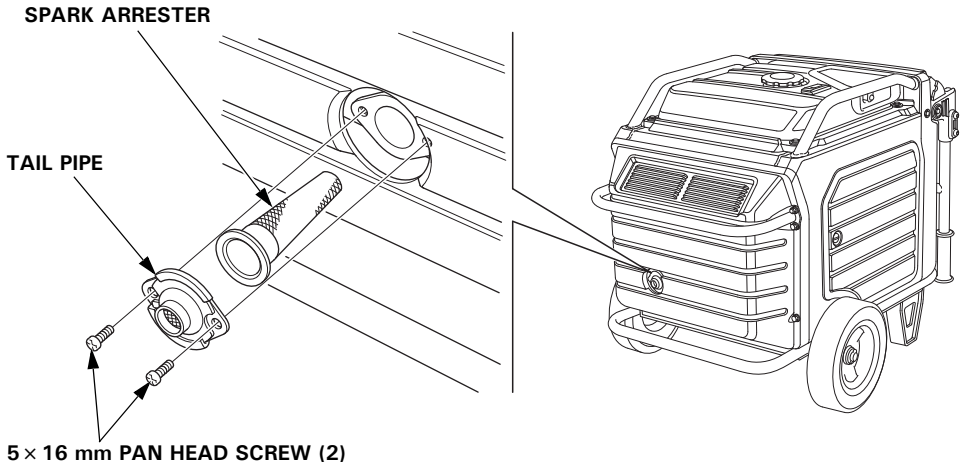
11. Close the left maintenance cover.

SERVICING YOUR GENERATOR

SPARK ARRESTER SERVICE

If the engine has been running, the muffler will be very hot. Allow the muffler to cool before servicing the spark arrester.

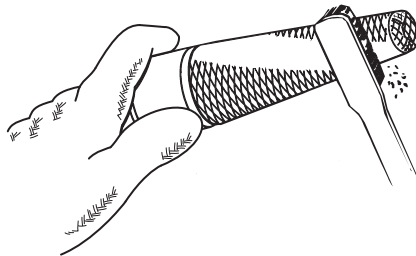
1. Remove the two 5 × 16 mm pan head screws, and remove the tail pipe and spark arrester.



2. Use a brush to remove carbon deposits from the spark arrester screen.

Be careful to avoid damaging the screen.

The spark arrester must be free of breaks and tears. Replace the spark arrester if it is damaged.



3. Install the spark arrester in the reverse order of removal.

SERVICING YOUR GENERATOR

BATTERY SERVICE

Your generator's engine charging system charges the battery while the engine is running. However, if the generator is only used periodically, the battery must be charged monthly to maintain the battery service life.

⚠ WARNING

The battery contains sulfuric acid (electrolyte), which is highly corrosive and poisonous. Getting electrolyte in your eyes or on your skin can cause serious burns.

Wear protective clothing and eye protection when working near the battery.

KEEP CHILDREN AWAY FROM THE BATTERY.

Emergency Procedures

Eyes – Flush with water from a cup or other container for at least fifteen minutes. (Water under pressure can damage the eye.)
Call a physician immediately.

Skin – Remove contaminated clothing. Flush the skin with large quantities of water. Call a physician immediately.

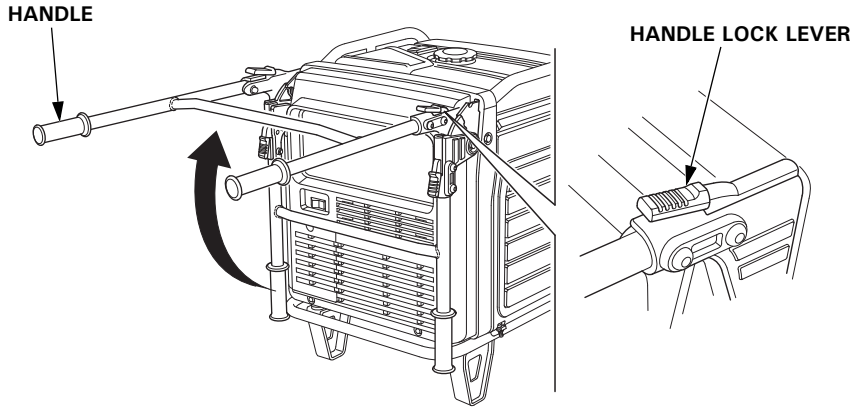
Swallowing – Drink water or milk. Call a physician immediately.

SERVICING YOUR GENERATOR

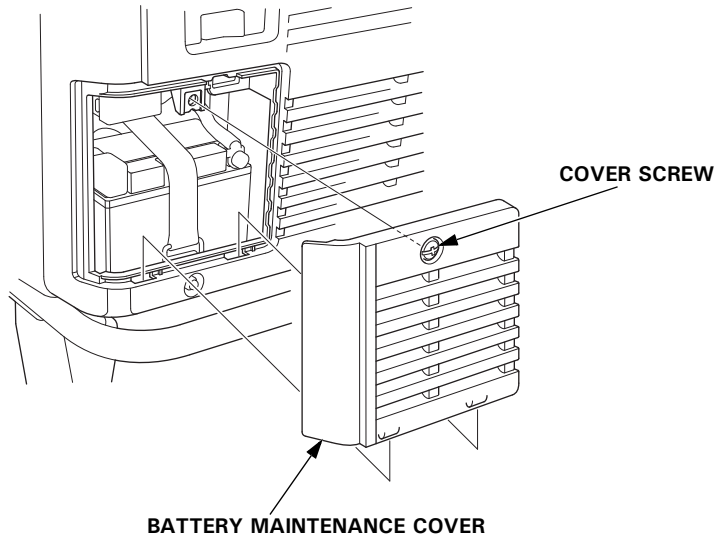
Battery Removal

Battery posts, terminals, and related accessories contain lead and lead compounds. Wash hands after handling.

1. Lift the handle upward. The lock levers will lock and secure the handle in place.

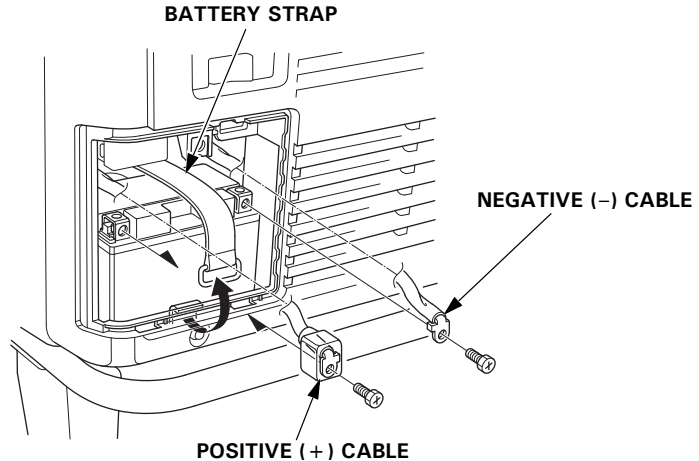


2. Loosen the cover screw and remove the battery maintenance cover.



SERVICING YOUR GENERATOR

3. Remove the negative (-) cable from the battery negative (-) terminal, and then remove the positive (+) cable from the battery positive (+) terminal.
4. Unhook the battery strap from the bottom hook of the generator.



5. Remove the battery.



This symbol on the battery means that this product must not be treated as household waste.

An improperly disposed of battery can be harmful to the environment and human health.
Always confirm local regulations for battery disposal.

Battery Charging

⚠ WARNING

The battery gives off explosive hydrogen gas during normal operation.

A spark or flame can cause the battery to explode with enough force to kill or seriously hurt you.

Wear protective clothing and a face shield, or have a skilled mechanic perform the battery maintenance.

The battery is rated at 11.2 Ah (ampere-hours). Charging current should equal 10% of the battery's ampere-hour rating. A battery charger should be used that can be adjusted to deliver 1.1 amps.

1. Connect the battery charger following the manufacturer's instructions.
2. Charge the battery 5–10 hours.
3. Clean the outside of the battery and the battery compartment with a solution of baking soda and water.

Battery Installation

1. Install the battery into the generator.
2. Connect the positive (+) cable to the battery positive (+) terminal first, and tighten the bolt securely.
3. Slide the battery boot over the positive (+) cable and terminal.
4. Connect the negative (–) cable to the battery negative (–) terminal, and tighten the bolt securely.
5. Install the battery strap.
6. Install the battery maintenance cover in the reverse order of removal (see page 63).

Never operate the generator with the battery maintenance cover open, as poor engine and generator performance will result.

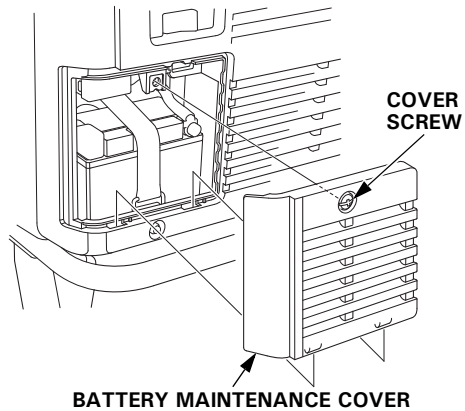
SERVICING YOUR GENERATOR

FUSE

If the fuse is blown, the starter motor will not operate.

In the event of fuse failure, locate the cause of failure and repair it before you continue operation. If the fuse continues to fail, discontinue generator use and consult your servicing dealer.

1. Turn the MAIN switch to the OFF position and remove the key before checking or replacing the fuse.
2. Loosen the cover screw and remove the battery maintenance cover.

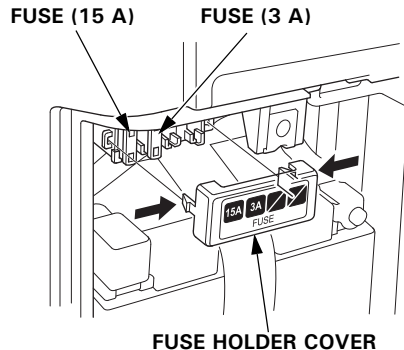


3. Remove the fuse holder cover and pull the fuse out.
4. Replace the fuse with a fuse of the same type and rating.

Specified fuse: 3 A, 15 A

NOTICE

Never use a fuse with a different rating from that specified. Serious damage to the electrical system or fire may result.



5. Install the fuse holder cover and the battery maintenance cover in the reverse order of removal (see page 63).
Never operate the generator with the battery maintenance cover open, as poor engine and generator performance will result.

STORAGE

STORAGE PREPARATION

Proper storage preparation is essential for keeping your generator trouble-free and looking good. The following steps will help to keep rust and corrosion from impairing your generator's function and appearance, and will make the engine easier to start when you use the generator again.

Cleaning

Wipe the generator with a moist cloth. After the generator has dried, touch up any damaged paint, and coat other areas that may rust with a light film of oil.

Fuel

NOTICE

Depending on the region where you operate your equipment, fuel formulations may deteriorate and oxidize rapidly. Fuel deterioration and oxidation can occur in as little as 30 days and may cause damage to the fuel system. Please check with your servicing dealer for local storage recommendations.

Gasoline will oxidize and deteriorate in storage. Old gasoline will cause hard starting, and it leaves gum deposits that clog the fuel system. If the gasoline in your generator deteriorates during storage, you may need to have the fuel system components serviced or replaced. The length of time that gasoline can be left in your fuel tank without causing functional problems will vary with such factors as gasoline blend, your storage temperatures, and whether the fuel tank is partially or completely filled. The air in a partially filled fuel tank promotes fuel deterioration. Very warm storage temperatures accelerate fuel deterioration. Fuel deterioration problems may occur within a few months, or even less if the gasoline was not fresh when you filled the fuel tank.

STORAGE

Draining the Fuel Tank

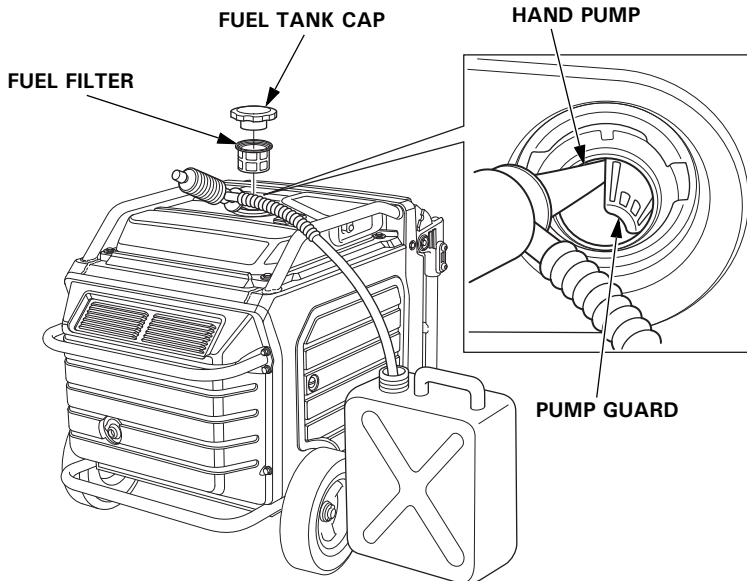
⚠ WARNING

Gasoline is highly flammable and explosive.

You can be burned or seriously injured when handling fuel.

- Stop the engine and keep heat, sparks, and flame away.
- Handle fuel only outdoors.
- Wipe up spills immediately.

Unscrew the fuel tank cap, remove the fuel filter, and empty the fuel tank into an approved gasoline container. We recommend using a commercially available gasoline hand pump to empty the tank. Do not use an electric pump. Siphon the gasoline by inserting the tip of the hand pump into the side of the pump guard. Reinstall the fuel filter and the fuel tank cap.



Engine Oil

1. Change the engine oil (see page 55).
2. Remove the spark plug (see page 59).
3. Pour a teaspoon (5 cm³) of clean engine oil into the cylinder.
4. Pull the starter rope several times to distribute the oil in the cylinder.
5. Reinstall the spark plug (see page 60).
6. Slowly pull the starter grip until resistance is felt. At this point, the piston is coming up on its compression stroke and both the intake and exhaust valves are closed. Storing the engine in this position will help to protect it from internal corrosion. Return the starter grip gently.

Battery

Charge the battery before storing the generator (see page 65).

STORAGE

STORAGE PRECAUTIONS

If your generator will be stored with gasoline in the fuel tank, it is important to reduce the hazard of gasoline vapor ignition.

Select a well ventilated storage area away from any appliance that operates with a flame, such as a furnace, water heater, or clothes dryer. Also avoid any area with a spark-producing electric motor, or where power tools are operated.

If possible, avoid storage areas with high humidity, because that promotes rust and corrosion.

Place the generator on a level surface. Tilting can cause fuel or oil leakage.

With the engine and exhaust system cool, cover the generator to keep out dust. A hot engine and exhaust system can ignite or melt some materials.

Do not use sheet plastic as a dust cover. A nonporous cover will trap moisture around the generator, promoting rust and corrosion.

Fully charge the battery. Recharge the battery once a month (see page 65).

REMOVAL FROM STORAGE

Check your generator as described in the *BEFORE OPERATION* chapter of this manual (see page 29).

If the generator was stored for 1 year or longer, drain the fuel tank (see page 68) and refuel with fresh gasoline. If you keep a container of gasoline for refueling, be sure that it contains only fresh gasoline. Gasoline oxidizes and deteriorates over time, causing hard starting.

If the cylinder was coated with oil during storage preparation, the engine may smoke briefly at startup. This is normal.

TRANSPORTING

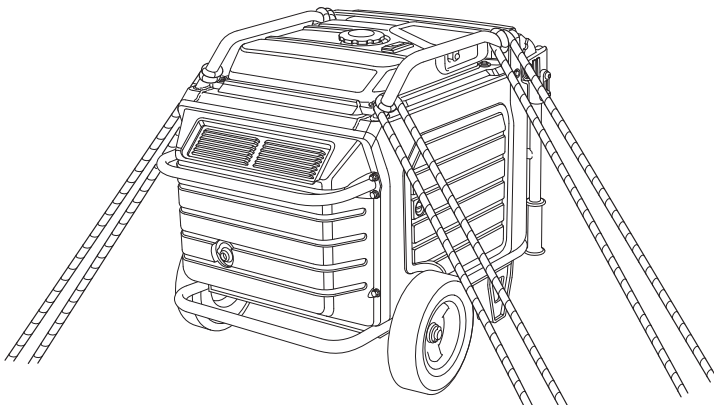
If the generator has been running, allow the engine to cool for at least 15 minutes before loading the generator on the transport vehicle. A hot engine and exhaust system can burn you and can ignite some materials.

Keep the generator level when transporting to reduce the possibility of fuel leakage.

When using ropes or tie-down straps to secure the generator for transportation, be sure to only use the frame bars as attachment points. Do not fasten ropes or straps to any portions of the generator body or the folding handle.

When transporting the generator:

- Turn the switch to the OFF position.
- Do not operate the generator while it is on a vehicle. Take the generator off the vehicle and use it in a well ventilated place.
- Avoid a place exposed to direct sunlight when putting the generator on a vehicle. If the generator is left in an enclosed vehicle for many hours, high temperature inside the vehicle could cause fuel to vaporize resulting in a possible explosion.
- Do not drive on a rough road for an extended period with the generator on board. If you must transport the generator on a rough road, drain the fuel from the generator beforehand.

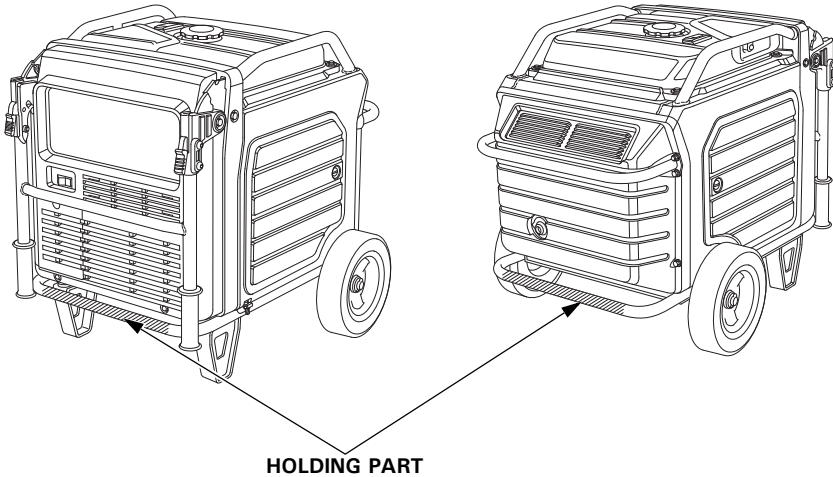


TRANSPORTING

- Use a hoist and attach it on the hanger (optional parts) of your generator to lift it up for transportation.
- When you are to lift up your generator with your assistants by hands, take care not to lift it up by holding the handle or rear bar of the generator. Be sure to lift up the generator by holding the holding part (shaded areas in the figure below).

According to EUROPEAN STANDARD EN 12601: 2010

Carrying the generating set is considered that a 140 kg set should be provided with the means of carrying by 4 persons.



TAKING CARE OF UNEXPECTED PROBLEMS

ENGINE WILL NOT START

Possible Cause	Correction
MAIN switch is in the OFF position.	Turn MAIN switch to ON position (see page 34).
Out of fuel.	Refuel (see page 52).
Bad fuel, generator stored without draining gasoline, or refueled with bad gasoline.	Drain fuel tank (see page 68). Refuel with fresh gasoline (see page 52).
Low engine oil level caused Oil Alert to stop engine.	Turn MAIN switch to OFF position. Add engine oil. Then turn MAIN switch to ON position and restart the engine.
Spark plug wet with fuel (flooded engine).	<ul style="list-style-type: none">• Turn MAIN switch to OFF position and pull starter grip swiftly five times or more. This may dry spark plug.• If it still not start, remove spark plug and dry.
Spark plug faulty, fouled, or improperly gapped.	Gap or replace spark plug (see page 59). Reinstall spark plug.
Fuel filter restricted, fuel system malfunction, fuel pump failure, ignition malfunction, valves stuck, etc.	Take the generator to your servicing dealer, or refer to the shop manual.

TAKING CARE OF UNEXPECTED PROBLEMS

ENGINE LACKS POWER

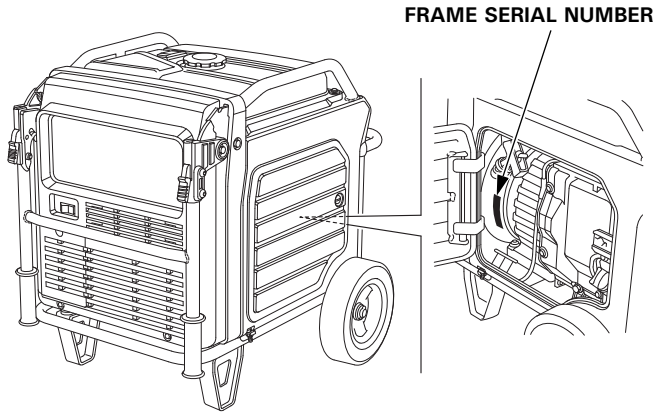
Possible Cause	Correction
Air filter restricted.	Clean or replace air filter (see page 57).
Bad fuel, generator stored without draining gasoline, or refueled with bad gasoline.	Drain fuel tank (see page 68). Refuel with fresh gasoline (see page 52).
Fuel filter restricted, fuel system malfunction, fuel pump failure, ignition malfunction, valves stuck, etc.	Take the generator to your servicing dealer, or refer to the shop manual.

NO POWER AT THE AC RECEPTACLES

Possible Cause	Correction
OUTPUT indicator is OFF, and OVERLOAD ALARM indicator is ON.	Check AC load. Stop and restart the engine.
	Check the cooling air inlet. Stop and restart the engine.
AC Circuit protector(s) tripped.	Check AC load and reset AC circuit protector(s) (see page 18).
Faulty power tool or appliance.	Replace or repair power tool or appliance. Stop and restart the engine.
Faulty generator.	Take the generator to your servicing dealer, or refer to the shop manual.

TECHNICAL INFORMATION

Serial Number Location



Record the frame serial number and date purchased in the spaces below. You will need this information when ordering parts and when making technical or warranty inquiries.

Frame serial number: _____

Date purchased: _____

TECHNICAL INFORMATION

Specifications

Dimensions

Model	EU70is
Description code	EEJD
Length [Handle in up position]	848 mm (33.4 in) [1,198 mm (47.2 in)]
Width	700 mm (27.6 in)
Height	721 mm (28.4 in)
Dry mass [weight]*	118.1 kg (260.4 lbs)

* With battery

Engine

Model	GX390
Engine type	4-stroke, overhead valve, single cylinder
Displacement [Bore × Stroke]	389 cm ³ (23.7 cu-in) [88 × 64 mm (3.5 × 2.5 in)]
Compression ratio	8.2:1
Engine speed	2,400–3,600 rpm < with Eco-Throttle switch ON >
Cooling system	Forced air
Ignition system	Full transistor ignition
Engine oil capacity	1.1 L (1.16 US qt, 0.97 Imp qt)
Fuel tank capacity	19.2 L (5.07 US gal, 4.22 Imp gal)
Spark plug	BPR6ES (NGK)
Battery	12 V 11.2 Ah/10 HR

Generator

Model	EU70is	
Type	G, GW, F, IT	
AC output	Rated voltage	230 V
	Rated frequency	50 Hz
	Rated current (Rated ampere)	23.9 A
	Rated output	5.5 kVA
	Maximum output	7.0 kVA

Noise

Model	EU70is
Type	G, GW, F, IT
Sound pressure level at the workstation (2006/42/EC)	76 dB (A) (with Eco throttle ON)
Uncertainty	2 dB (A)
Measured sound power level (2000/14/EC, 2005/88/EC)	88 dB (A) (with Eco throttle ON)
Uncertainty	2 dB (A)
Guaranteed sound power level (2000/14/EC, 2005/88/EC)	90 dB (A) (with Eco throttle ON)

“the figures quoted are emission levels and are not necessarily safe working levels. Whilst there is a correlation between the emission and exposure levels, this cannot be used reliably to determine whether or not further precautions are required. Factors that influence the actual level of exposure of work-force include the characteristics of the work room, the other sources of noise, etc. i.e. the number of machines and other adjacent processes, and the length of time for which an operator is exposed to the noise. Also the permissible exposure level can vary from country. This information, however, will enable the user of the machine to make a better evaluation of the hazard and risk”.

Specifications may vary according to the types, and are subject to change without notice.

TECHNICAL INFORMATION

Wiring Diagram

(See inside back cover)

Abbreviations

Symbol	Part name
ACCP	AC Circuit Protector
ACOR	AC Output Receptacle
Bat	Battery
CPB	Control Panel Block
CSw	Combination Switch
EcoSw	Eco Throttle Switch
EgB	Engine Block
FrB	Frame Block
FP	Fuel Pump
FuB	Fuse Box
GeB	Generator Block
GCU	Generator Control Unit
GND	Ground
GT	Ground Terminal
IgC	Ignition Coil
IgPG	Ignition Pulse Generator
In	Injector
IU	Inverter Unit
IUB	Inverter Unit Block
LED	LED
MSw	MAIN Switch
MW	Main Winding
NF	Noise Filter
OLSw	Oil Level Switch
O2Se	O2 Sensor
PC	Personal Computer
POR	Parallel Operation Receptacle
Rc	Remote Control
RCB	Remote Control Block
Rc (OP)	Remote Control (Option)
SP	Spark Plug
StM	Starter Motor
StSw	Start Switch
SW	Slave Winding
TCM	Throttle Control Motor
ThSe	Thermo Sensor

Wire color code

Bl	Black
Br	Brown
G	Green
Gr	Gray
Bu	Blue
Lb	Light blue
Lg	Light green
O	Orange
P	Pink
R	Red
W	White
Y	Yellow
V	Violet
BE	Beige

COMBINATION SWITCH

	MAIN1	MAIN2	BAT	ACC
ON				
OFF				

START SWITCH

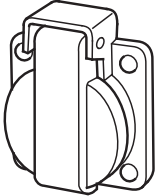
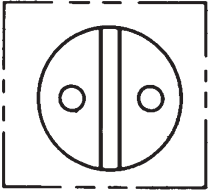
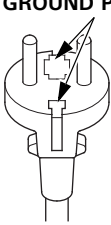
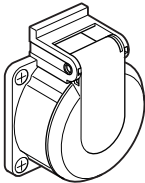
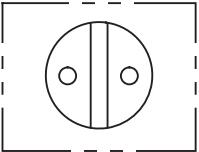
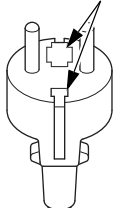
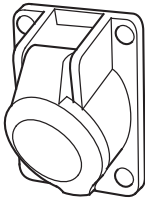
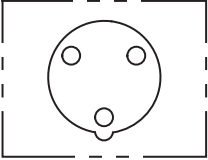
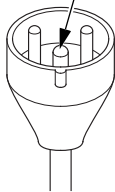
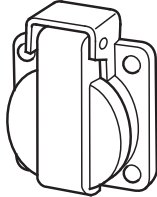
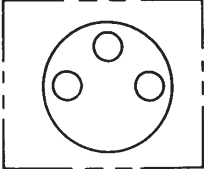
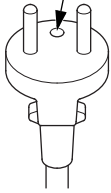
	IG	E
FREE		
PUSH		

ECO THROTTLE SWITCH

TERMINAL	Hz	GND	SW
ECO	ON		
THROTTLE	OFF		

TECHNICAL INFORMATION

Receptacle

Type	Shape		Plug
G			
GW			
IT			
F			

ASSEMBLY

SAFETY

The Importance of Proper Assembly

Proper assembly is essential to operator safety and the reliability of the machine. Any error or oversight made by the person assembling and servicing a unit can easily result in faulty operation, damage to the machine, or injury to the operator.

WARNING

Improper assembly can cause an unsafe condition that can lead to serious injury or death.

Follow the procedures and precautions in the assembly instructions carefully.

Some of the most important safety precautions are given below. However, we cannot warn you of every conceivable hazard that can arise in performing this assembly. Only you can decide whether or not you should perform a given task.

WARNING

Failure to properly follow instructions and precautions can cause you to be seriously hurt or killed.

Follow the procedures and precautions in this manual carefully.

Important Safety Precautions

- Make sure you have a clear understanding of all basic shop safety practices and that you are wearing appropriate clothing and safety equipment. When performing this assembly, be especially careful of the following:
 - Read the instructions before you begin, and be sure you have the tools and skills required to perform the tasks safely.
- Make sure the engine is off before you begin any assembly, maintenance, or repairs. This will help eliminate several potential hazards:
 - Carbon monoxide poisoning from engine exhaust.**
Operate outside away from open windows or doors.
 - Burns from hot parts.**
Let the engine and exhaust system cool before touching.
 - Injury from moving parts.**
Do not run the engine unless the instruction tells you to do so. Even then, keep your hands, fingers, and clothing away. Do not run the engine when any protective guard or shield is removed.
- To reduce the possibility of a fire or explosion, be careful when working around gasoline or batteries. Use only a non-flammable solvent, not gasoline, to clean parts. Keep all cigarettes, sparks, and flames away from all fuel-related parts.

ASSEMBLY

ASSEMBLY

Unpacking

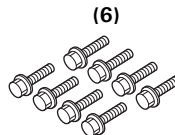
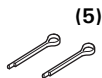
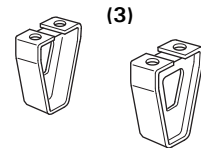
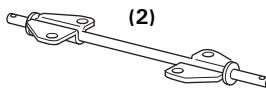
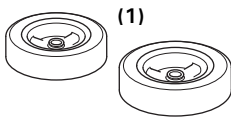
1. Remove the generator and loose parts box from the carton.
2. Compare the loose parts with the inventory list below.

Tools Required: 12 mm wrench, 10 mm wrench or Phillips head screwdriver for battery connections, pliers (not included)

Loose Parts

Check all loose parts against the following list.

Ref. No.	Description	Qty.
1	Wheel	2
2	Axle	1
3	Stand	2
4	20 mm Washer	2
5	4.0 × 28 mm Cotter pin	2
6	8 × 20 mm Flange bolt	8



Wheel Kit Installation

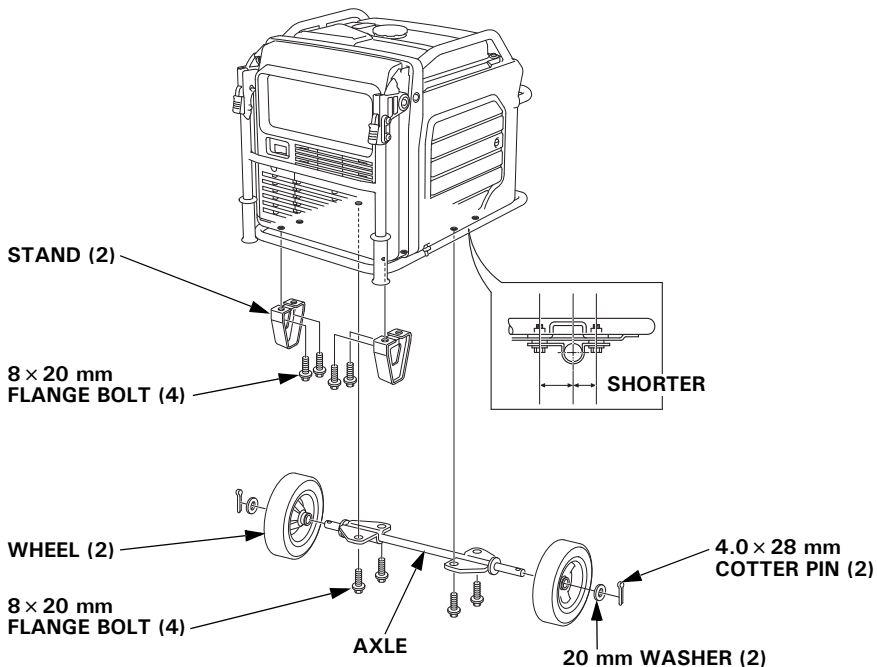
Do not operate the generator without the wheel kit installed. The wheel kit provides air space between the ground and the generator air intake.

NOTICE

If the wheel kit is not installed, it may be possible for dirt and debris to be drawn into the generator air intake, possibly causing generator damage. Always operate the generator with the wheel kit installed.

1. Install the two wheels on the axle using the 20 mm washers and 4.0 × 28 mm cotter pins.
2. Install the axle assembly on the generator using four 8 × 20 mm flange bolts.
3. Install the two stands on the under frame using four 8 × 20 mm flange bolts.

TORQUE: 15–22 N·m (1.5–2.2 kgf·m, 11–16 lbf·ft)



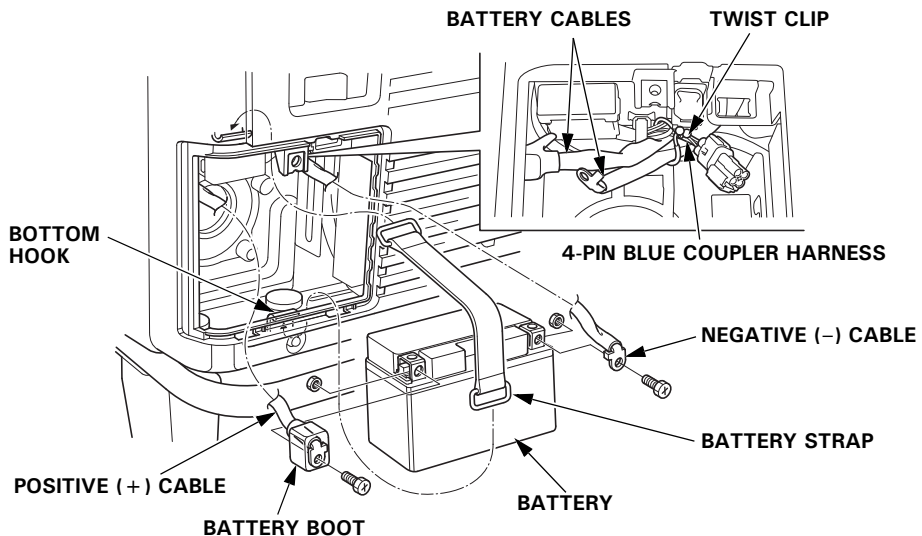
ASSEMBLY

Battery

Battery posts, terminals, and related accessories contain lead and lead compounds. Wash hands after handling.

The battery is disconnected and strapped into the battery tray for shipment.

1. Remove the battery maintenance cover (see page 63).
2. Remove the battery strap from the bottom hook, and then remove the battery.
3. Only remove the battery cables from the twist clip.
Make sure that the 4-pin blue coupler harness is secured with the twist clip.
Charge the battery properly. See page 65.
Reinstall the battery.
4. Remove the protective cover from the battery positive (+) terminal, and connect the positive (+) cable to the battery positive (+) terminal. Make sure to cover the terminal with the battery boot.
5. Connect the negative (-) cable to the battery negative (-) terminal.
6. Secure the battery by hooking the strap onto the bottom hook of the generator.



7. Install the battery maintenance cover in the reverse order of removal (see page 63).
Never operate the generator with the battery maintenance cover open, as poor engine and generator performance will result.

Engine Oil

The generator is shipped **WITHOUT OIL** in the engine.

Place the generator on a level surface. Open the right maintenance cover by turning its latch counterclockwise. Remove the oil filler cap. Add enough of the recommended oil to bring the oil level to the upper limit of the oil filler neck.

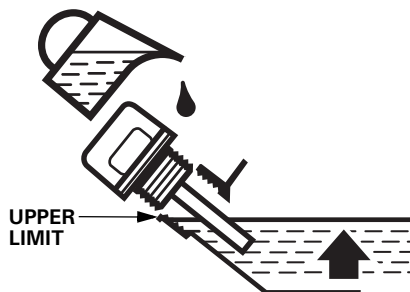
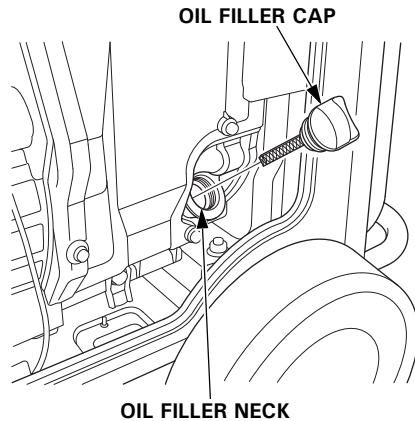
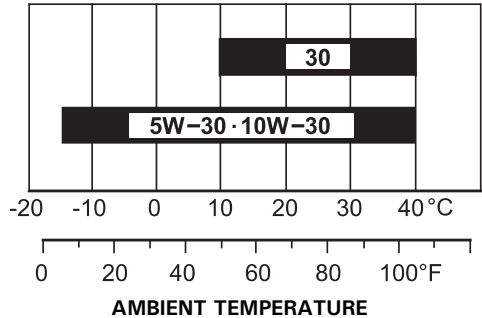
Use a 4-stroke motor oil that meets the requirements for API service category SE or later (or equivalent).

SAE 10W-30 is recommended for general, all-temperature use. Other viscosities in the chart may be used when the temperature in your area is within the indicated range.

Reinstall the oil filler cap securely. Close the right maintenance cover by turning its latch clockwise.

Fuel

Refer to page 52.



ASSEMBLY

Battery Voltage

Check the battery voltage with the i-Monitor (see page 26).

The battery voltage should be 12.3 V or more.

If the battery voltage is low, charge the battery until the battery voltage is 12.3 V or more.

BEFORE OPERATION

Before using the generator, all generator operators must read the following chapters and sections:

- **GENERATOR SAFETY** (see page 6)
- **CONTROLS & FEATURES** (see page 14)
- **BEFORE OPERATION** (see page 29)
- **OPERATION** (see page 31)
- **STARTING THE ENGINE** (see page 33)
- **STOPPING THE ENGINE** (see page 36)
- **MAINTENANCE SCHEDULE** (see page 51)

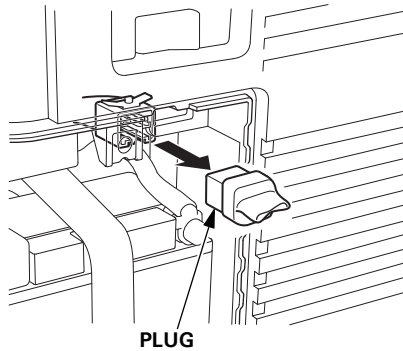
OPTIONAL PARTS

REMOTE CONTROL KIT

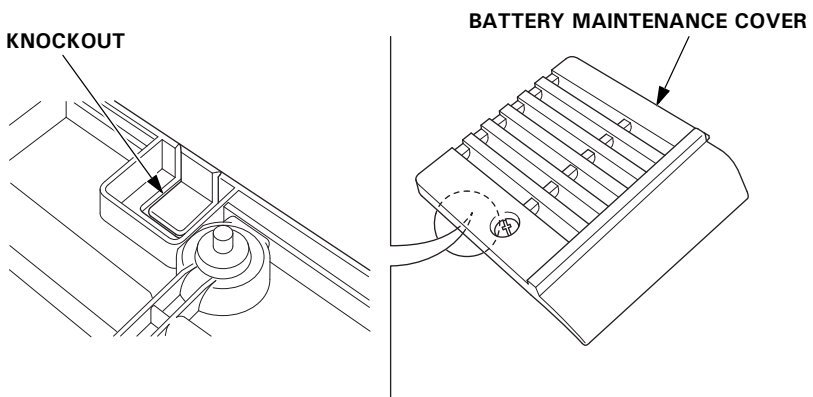
Using the remote control in wet conditions, such as rain or snow, or near a pool or sprinkler system, or when your hands are wet, could result in malfunction. Keep the remote control dry.

(degree of protection: IP3X)

1. Remove the battery maintenance cover (see page 63).
2. Remove the plug from the connector.
 - Do not discard the plug. The plug should be installed back into the connector when the remote control kit is removed.

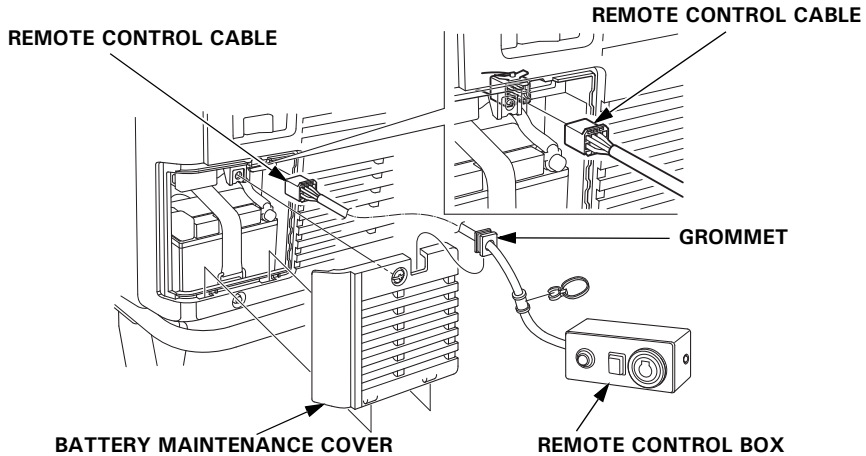


3. View the back of the battery maintenance cover and locate the knockout near the top center of the cover. Carefully remove the knockout.

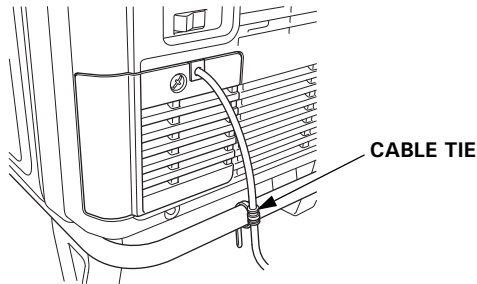


OPTIONAL PARTS

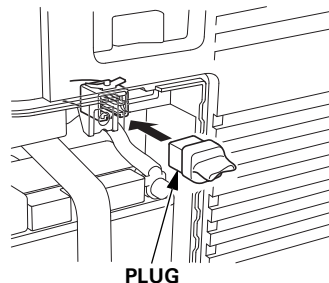
4. Fit the grommet into the battery maintenance cover knockout.
5. Plug the remote control cable into the connector.
6. Install the battery maintenance cover and tighten the cover screw.



7. To avoid accidentally unplugging the remote control cable, secure the cable to the generator frame with a cable tie as shown.



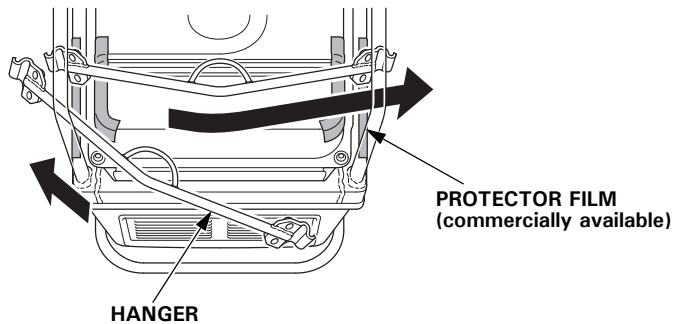
- Never operate the generator with the battery maintenance cover open, as poor engine and generator performance will result.
- Install the plug to the connector when the remote control kit is removed.



HANGER KIT

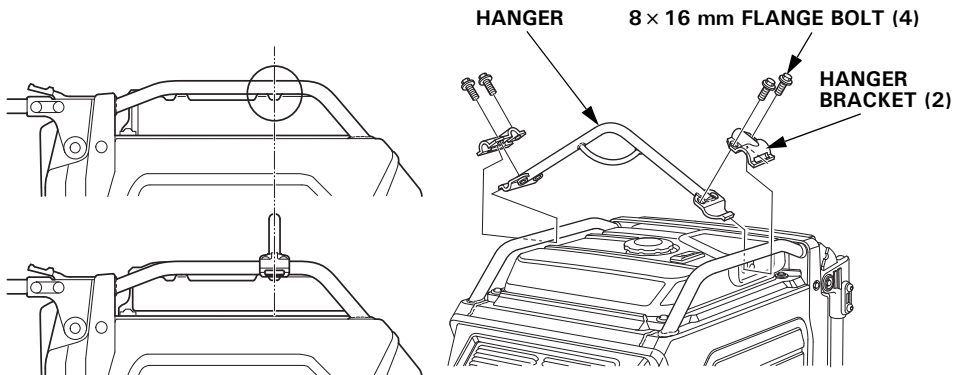
Protect the fuel tank and frame pipe with the protector films during installation of the hanger.

1. Slide one end of the hanger under the frame pipe on the left side of the generator.
2. Slide the other end of the hanger under the frame pipe on the right side of the generator.



3. Slide the hanger along the frame pipes to align the center of the hanger with the recessed part on the rear side of the fuel tank.
4. Install the hanger brackets on both ends of the hanger and tighten the 8 × 16 mm flange bolts securely.

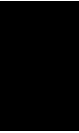
TORQUE: 24–29 N·m (2.4–3.0 kgf·m, 17–22 lbf·ft)



MEMO

Honda EU70is

MANUEL DE L'UTILISATEUR
Notice originale



ATTENTION

Les gaz d'échappement contiennent du monoxyde de carbone, un gaz toxique qui peut s'accumuler à des niveaux dangereux dans des endroits clos. L'inhalation de monoxyde de carbone peut provoquer des évanouissements ou la mort.

Ne jamais faire fonctionner le groupe électrogène dans un endroit clos, même partiellement, où il peut y avoir des personnes.

Garder ce manuel à portée de main afin de pouvoir le consulter à tout moment. Ce manuel doit être considéré comme faisant partie intégrante du groupe électrogène et doit l'accompagner en cas de revente.

Les informations et caractéristiques figurant dans cette publication étaient effectives au moment de la mise sous presse. Honda Motor Co., Ltd. se réserve toutefois le droit d'arrêter ou de modifier à tout moment les caractéristiques ou la conception sans préavis et sans aucune obligation de sa part.

- Les illustrations peuvent varier en fonction du type.

INTRODUCTION

Nous vous félicitons d'avoir porté votre choix sur un groupe électrogène Honda. Nous sommes persuadés que ce groupe électrogène, l'un des meilleurs du marché, vous donnera entière satisfaction.

Nous désirons vous aider à faire le meilleur usage de votre nouveau groupe électrogène et à l'utiliser en sécurité. Vous trouverez dans ce manuel des informations sur la manière d'y parvenir; lisez-le attentivement.

Tout au long du manuel, vous trouverez des informations précédées du symbole **REMARQUE**. Ces informations vous aideront à ne pas causer de dommages à votre groupe électrogène, à d'autres biens ou à l'environnement.

Nous vous conseillons de lire le bulletin de garantie afin de bien comprendre l'étendue de la garantie et vos responsabilités en tant que propriétaire.

Lorsque votre groupe électrogène a besoin d'une intervention prévue dans le programme d'entretien, n'oubliez pas que votre concessionnaire Honda est spécialement formé pour l'entretien des groupes électrogènes Honda. Votre concessionnaire réparateur Honda n'épargnera aucun effort pour vous donner satisfaction et se fera un plaisir de répondre à toutes vos questions et préoccupations.

Cordialement,
Honda Motor Co., Ltd.


QUELQUES MOTS SUR LA SECURITE

Votre sécurité et la sécurité des autres sont capitales. L'utilisation de ce groupe électrogène en toute sécurité est une responsabilité importante.

Les procédures d'utilisation et autres informations figurant sur les étiquettes et dans ce manuel vous aideront à prendre des décisions en connaissance de cause en matière de sécurité. Elles vous signalent les risques potentiels d'accidents pour vous ou pour les autres.

Il ne nous est naturellement pas possible de vous avertir de tous les risques associés à l'utilisation ou à l'entretien d'un groupe électrogène. Vous devez faire appel à votre propre jugement.

Des informations de sécurité importantes vous sont communiquées sous diverses formes, notamment :

- **Étiquettes de sécurité** — apposées sur le groupe électrogène.
- **Messages de sécurité** — précédés d'un symbole de mise en garde  et de l'un des trois mots-indicateurs DANGER, ATTENTION ou PRÉCAUTION.

Ces mots-indicateurs signifient :

 **DANGER**

Le non-respect de ces instructions ENTRAÎNERA des BLESSURES GRAVES voire MORTELLES.

 **ATTENTION**

Le non-respect de ces instructions est SUSCEPTIBLE d'entraîner des BLESSURES GRAVES voire MORTELLES.

 **PRECAUTION**

Le non-respect de ces instructions est SUSCEPTIBLE d'entraîner des BLESSURES.

- **Rubriques de sécurité** — telles que le paragraphe *INFORMATIONS DE SECURITE IMPORTANTES*.
- **Chapitre sur la sécurité** — tel que *SECURITE DU GROUPE ELECTROGENE*.
- **Instructions** — comment utiliser ce groupe électrogène correctement et en sécurité.

Le manuel tout entier contient des informations de sécurité importantes — lisez-le attentivement.

SOMMAIRE

SECURITE DU GROUPE ELECTROGENE	6
INFORMATIONS DE SECURITE IMPORTANTES	6
Responsabilité de l'utilisateur	6
Dangers du monoxyde de carbone	7
Risques d'électrocution	8
Danger d'incendie et de brûlures	8
Faire le plein de carburant avec précaution	9
Matériel antidéflagrant	9
Mise au rebut	9
EMPLACEMENT DES ETIQUETTES DE SECURITE	10
EMPLACEMENT DE L'ETIQUETTE DE MARQUAGE CE ET DE L'ETIQUETTE RELATIVE AUX EMISSIONS SONORES	13
ETIQUETTE DE MARQUAGE CE et ETIQUETTE RELATIVE AUX EMISSIONS SONORES	13
COMMANDES ET FONCTIONS	14
EMPLACEMENT DES PIECES ET COMMANDES	14
COMMANDES.....	16
Commutateur PRINCIPAL	16
Bouton DEMARRAGE DU MOTEUR.....	16
Poignée de lancement	17
Interrupteur Eco-Throttle	17
Sorties de fonctionnement en parallèle	18
Protecteurs de circuit CA	18
Poignées repliables	20
Couvercles de visite.....	21
FONCTIONS	22
Borne de masse	22
Témoin SORTIE.....	23
Témoin ALARME DE SURCHARGE	23
Témoin OIL ALERT/VERIFICATION D'HUILE	24
i-Monitor	25
Jauge de carburant.....	28
AVANT L'UTILISATION	29
ETES-VOUS PRET A DEMARRER ?	29
Acquisition des connaissances	29
LE GROUPE ELECTROGENE EST-IL PRET A FONCTIONNER ?	29
Vérifier le moteur	30
Couvercle de visite de la batterie	30

SOMMAIRE

UTILISATION	31
CONSIGNES DE SECURITE D'UTILISATION	31
MISE EN MARCHÉ DU MOTEUR.....	33
ARRET DU MOTEUR.....	36
DEMARRAGE DU MOTEUR avec la COMMANDE A DISTANCE (pièce en option)	37
ARRET DU MOTEUR avec la COMMANDE A DISTANCE (pièce en option)	38
UTILISATION DU COURANT ALTERNATIF.....	39
Applications CA	41
UTILISATION DU COURANT ALTERNATIF AVEC FONCTIONNEMENT EN PARALLELE.....	42
Applications CA avec fonctionnement en parallèle	44
SYSTEME ECO-THROTTLE	46
ALIMENTATION DE SECOURS	47
Raccordement au système électrique d'un bâtiment.....	47
Masse du système.....	47
Prescriptions spéciales	48
ENTRETIEN DU GROUPE ELECTROGENE	49
L'IMPORTANTCE DE L'ENTRETIEN	49
SECURITE D'ENTRETIEN	50
Consignes de sécurité	50
PROGRAMME D'ENTRETIEN.....	51
REPLISSAGE EN CARBURANT.....	52
RECOMMANDATIONS POUR LE CARBURANT	53
CONTROLE DU NIVEAU D'HUILE MOTEUR.....	54
VIDANGE DE L'HUILE MOTEUR	55
RECOMMANDATIONS POUR L'HUILE MOTEUR	56
ENTRETIEN DU FILTRE A AIR	57
NETTOYAGE DU FILTRE A AIR EN MOUSSE.....	58
ENTRETIEN DE LA BOUGIE D'ALLUMAGE	59
ENTRETIEN DU PARE-ETINCELLES	61
ENTRETIEN DE LA BATTERIE.....	62
FUSIBLE.....	66
REMISAGE	67
PREPARATION AU REMISAGE	67
Nettoyage	67
Carburant	67
Huile moteur.....	69
Batterie.....	69
PRECAUTIONS DE REMISAGE	70
FIN DU REMISAGE	70

TRANSPORT	71
EN CAS DE PROBLEME INATTENDU	73
LE MOTEUR NE DEMARRE PAS	73
LE MOTEUR MANQUE DE PUISSANCE	74
PAS DE COURANT AUX PRISES CA	74
INFORMATIONS TECHNIQUES	75
Emplacement des numéros de série	75
Caractéristiques techniques	76
Schéma de câblage	78
Prise	79
MONTAGE	80
SECURITE	80
Importance d'un montage correct	80
Consignes importantes de sécurité	81
MONTAGE	82
Déballage	82
Pièces séparées	82
Pose du kit de roues	83
Batterie.....	84
Huile moteur.....	85
Carburant.....	85
Tension de la batterie	86
AVANT L'UTILISATION.....	86
PIECES EN OPTION	87
KIT DE COMMANDE A DISTANCE.....	87
KIT D'ANSE DE SUSPENSION.....	89
Troisième de couverture	
SCHEMA DE CABLAGE	Troisième de couverture
ADRESSES DES PRINCIPAUX	
DISTRIBUTEURS Honda	Troisième de couverture
PRÉSENTATION DU CONTENU	
"Déclaration de conformité CE"	Troisième de couverture

SECURITE DU GROUPE ELECTROGENE

INFORMATIONS DE SECURITE IMPORTANTES

Les groupes électrogènes Honda sont destinés à alimenter des équipements électriques ayant une puissance requise appropriée. Toute autre utilisation pourrait entraîner un accident pour l'utilisateur ou des dégâts sur le groupe électrogène de d'autres dommages matériels. On pourra éviter la plupart des blessures ou dommages matériels en suivant toutes les instructions figurant dans ce manuel et sur le groupe électrogène. Les dangers les plus courants sont décrits ci-dessous avec l'indication du meilleur moyen pour s'en protéger soi-même et en protéger les autres.

- Ne jamais essayer de modifier le groupe électrogène. Il pourrait en résulter un accident ainsi que des dommages au groupe électrogène et aux appareils branchés.
 - Ne pas raccorder de rallonge au silencieux.
 - Ne pas modifier le système d'admission.
 - Ne pas régler le régulateur de régime.
 - Ne pas déposer le panneau de commande et ne pas modifier son câblage.

Responsabilité de l'utilisateur

- Apprendre à arrêter rapidement le groupe électrogène en cas d'urgence.
- Bien comprendre l'utilisation de toutes les commandes du groupe électrogène, prises de sortie et connexions.
- Veiller à ce que toutes les personnes utilisant le groupe électrogène reçoivent une instruction appropriée. Ne pas laisser les enfants utiliser le groupe électrogène sans surveillance parentale.
- Observer les instructions de ce manuel sur la manière d'utiliser le groupe électrogène ainsi que les informations d'entretien. En ignorant ou suivant incorrectement les instructions, on risque un accident tel qu'une électrocution et l'état des gaz d'échappement peut se dégrader.
 - Respecter toutes les réglementations applicables du lieu où le groupe électrogène est utilisé.
 - L'essence et l'huile sont toxiques. Suivre les instructions fournies par chaque fabricant avant l'emploi.
 - Avant l'utilisation, placer le groupe électrogène sur une surface horizontale et ferme.
 - Ne pas faire fonctionner le groupe électrogène avec un couvercle retiré. On s'exposerait à un accident si une main ou un pied se prenait dans le groupe électrogène.
 - Pour le démontage et les interventions sur le groupe électrogène non couvertes par ce manuel, consulter un concessionnaire Honda agréé.

SECURITE DU GROUPE ELECTROGENE

Dangers du monoxyde de carbone

L'échappement d'un groupe électrogène contient du monoxyde de carbone, un gaz toxique invisible et inodore. L'inhalation de monoxyde de carbone peut **TUER EN QUELQUES MINUTES**. Pour éviter un empoisonnement par le monoxyde de carbone, suivre ces consignes lors de l'utilisation d'un groupe électrogène :

- Ne faire fonctionner un groupe électrogène qu'à L'EXTERIEUR, à bonne distance des fenêtres, portes et aérations.
- Ne jamais utiliser un groupe électrogène à l'intérieur d'une habitation, d'un garage, d'un sous-sol, d'un vide sanitaire ou de tout autre espace clos ou partiellement clos.
- Ne jamais utiliser un groupe électrogène près de portes ou de fenêtres ouvertes.
- Si vous pensez avoir inhalé du monoxyde de carbone, placez-vous à l'air frais et consultez immédiatement un médecin.

Les premiers symptômes d'une exposition au monoxyde de carbone sont notamment des maux de tête, une fatigue, un manque de souffle, des nausées et des étourdissements. L'exposition prolongée au monoxyde de carbone peut occasionner une perte de coordination musculaire, une perte de conscience, puis le décès.

SECURITE DU GROUPE ELECTROGENE

Risques d'électrocution

Le groupe électrogène produit une puissance électrique suffisamment importante pour provoquer un choc électrique grave ou une électrocution s'il est mal utilisé.

- Ne pas utiliser dans des conditions d'humidité. Garder le groupe électrogène sec.
 - Ne pas utiliser sous la pluie ou dans la neige.
 - Ne pas utiliser à proximité d'une piscine ou d'un système d'arrosage ou d'extinction automatique d'incendie.
 - Ne pas utiliser avec les mains humides.
- Si le groupe électrogène se trouve à l'extérieur dans un endroit non protégé contre les intempéries, vérifier toutes les pièces électriques du panneau de commande avant chaque utilisation. L'humidité ou la glace peuvent provoquer une anomalie ou un court-circuit des pièces électriques pouvant causer une électrocution.
- Ne pas raccorder le groupe électrogène au système électrique d'un bâtiment si un interrupteur d'isolement n'a pas été installé par un électricien qualifié.
- Pour le fonctionnement en parallèle, utiliser uniquement le kit de connexion parallèle agréé par Honda (équipement en option) pour raccorder un EU70is à un autre groupe électrogène EU70is.
- Ne jamais raccorder des modèles de groupe électrogène différents.

Danger d'incendie et de brûlures

Le système d'échappement devient assez chaud pour enflammer certains matériaux.

- Garder le groupe électrogène à au moins 1 mètre des bâtiments et des autres équipements pendant l'utilisation.
- Ne pas enfermer le groupe électrogène dans une structure.
- Ne pas approcher de matières inflammables du groupe électrogène.

Le silencieux devient très chaud pendant le fonctionnement et reste chaud pendant un moment après l'arrêt du moteur. Faire attention à ne pas toucher le silencieux lorsqu'il est chaud. Laisser le moteur refroidir avant de rentrer le groupe électrogène à l'intérieur.

SECURITE DU GROUPE ELECTROGENE

Faire le plein de carburant avec précaution

L'essence est extrêmement inflammable et les vapeurs d'essence peuvent exploser.

- Ne pas faire le plein de carburant pendant l'utilisation.
- Laisser le moteur refroidir s'il vient de fonctionner.
- Ne faire le plein qu'à l'extérieur dans un endroit bien aéré et sur une surface de niveau.
- Ne jamais fumer à proximité de l'essence et ne pas approcher de flammes ou d'étincelles.
- Ne pas trop remplir le réservoir de carburant.
- Avant de mettre le moteur en marche, s'assurer que tout carburant renversé a été essuyé.
- Toujours stocker l'essence dans un récipient approprié.

Matériel antidéflagrant

Ce groupe électrogène n'est pas à l'épreuve des déflagrations.

Mise au rebut

Pour protéger l'environnement, ne pas jeter le groupe électrogène, la batterie, l'huile moteur usagée, etc. aux ordures.

Pour leur mise au rebut, observer la réglementation locale ou consulter un revendeur de groupes électrogènes Honda agréé.

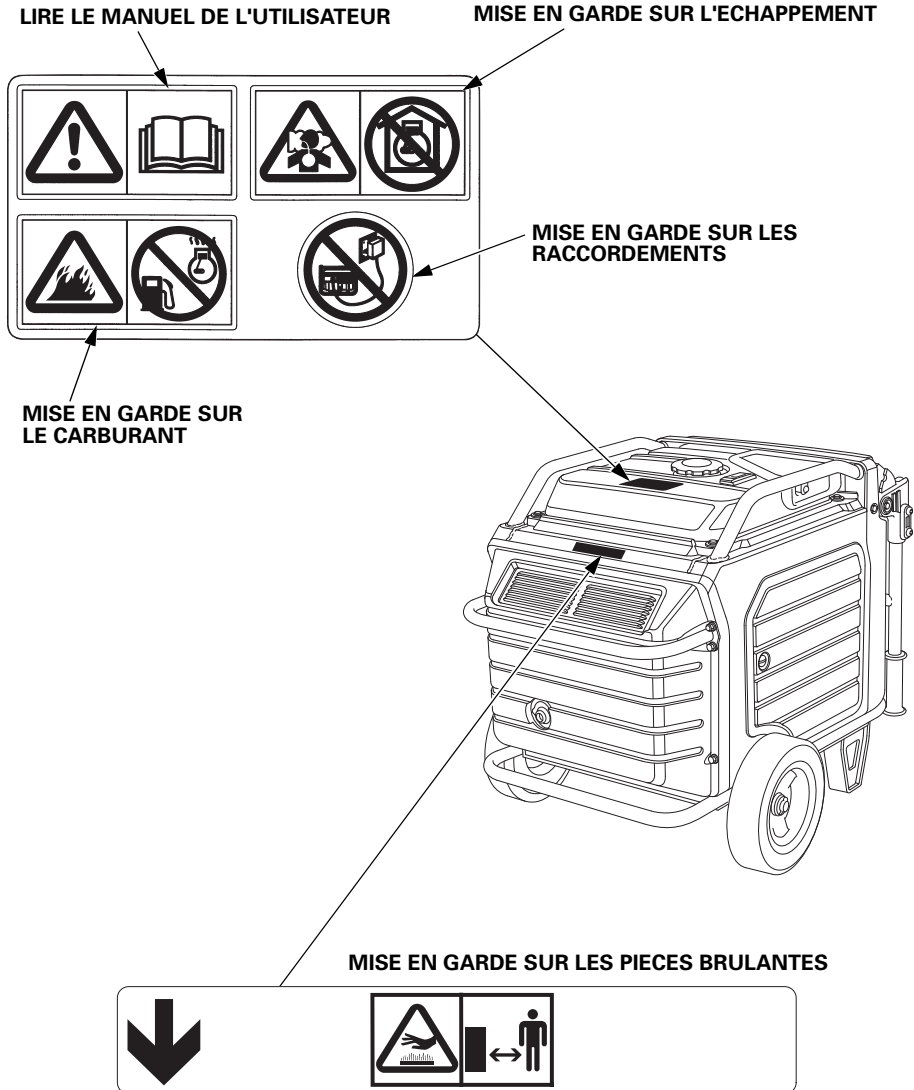
Se débarrasser de l'huile moteur usagée d'une manière compatible avec l'environnement. Nous conseillons de la porter dans un récipient fermé à une station-service locale pour son recyclage. Ne pas la jeter à la décharge ou la vider sur le sol.

Une batterie jetée n'importe où peut être nocive pour l'environnement. Toujours respecter la réglementation locale en vigueur pour la mise au rebut des batteries. Faire remplacer la batterie par un concessionnaire réparateur Honda.

SECURITE DU GROUPE ELECTROGENE

EMPLACEMENT DES ETIQUETTES DE SECURITE

Ces étiquettes ont pour objet de mettre en garde contre les risques potentiels de blessures graves. Il est impératif d'en lire attentivement le contenu. Si une étiquette se détache ou devient illisible, s'adresser à un concessionnaire réparateur Honda pour la faire remplacer.



SECURITE DU GROUPE ELECTROGENE



- Les groupes électrogènes Honda ont été conçus pour assurer un fonctionnement sûr et fiable lorsqu'ils sont utilisés conformément aux instructions données.

Lire et assimiler le manuel de l'utilisateur avant d'utiliser le groupe électrogène. Ne pas le faire pourrait se traduire par des blessures ou des dommages matériels.



- L'essence est hautement inflammable et explosive.

Arrêter le moteur et le laisser refroidir avant de faire le plein.



- Les gaz d'échappement contiennent du monoxyde de carbone, un gaz toxique incolore et inodore. L'inhalation du monoxyde de carbone peut provoquer l'évanouissement et entraîner la mort.

- Si l'on fait fonctionner le groupe électrogène dans un endroit fermé ou même partiellement clos, l'air respiré peut contenir une quantité dangereuse de gaz d'échappement.

- Ne jamais faire fonctionner le groupe électrogène dans un garage, une maison ou à proximité de fenêtres ou portes ouvertes.

SECURITE DU GROUPE ELECTROGENE



- Un raccordement incorrect au système électrique d'un bâtiment peut permettre le retour du courant du groupe électrogène dans le réseau public.

Un tel retour du courant peut provoquer l'électrocution du personnel de la compagnie d'électricité ou de toute autre personne touchant les lignes électriques pendant une panne de courant. De plus, le groupe électrogène risque d'exploser, de brûler ou de provoquer un incendie lors du rétablissement du courant.

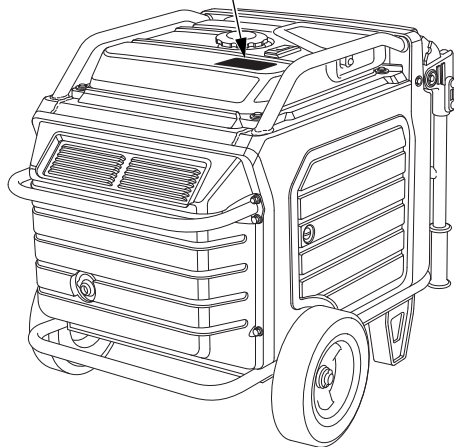
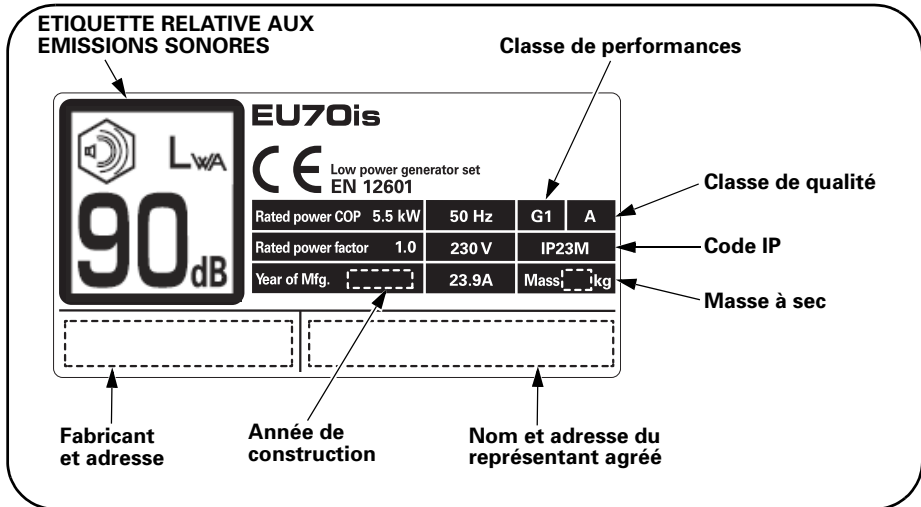
Avant d'effectuer des raccordements électriques, consulter la compagnie d'électricité ou un électricien qualifié.



- Un système d'échappement chaud peut provoquer de graves brûlures. Ne pas le toucher lorsque le moteur vient de tourner.

EMPLACEMENT DE L'ETIQUETTE DE MARQUAGE CE ET DE L'ETIQUETTE RELATIVE AUX EMISSIONS SONORES

ETIQUETTE DE MARQUAGE CE et ETIQUETTE RELATIVE AUX EMISSIONS SONORES



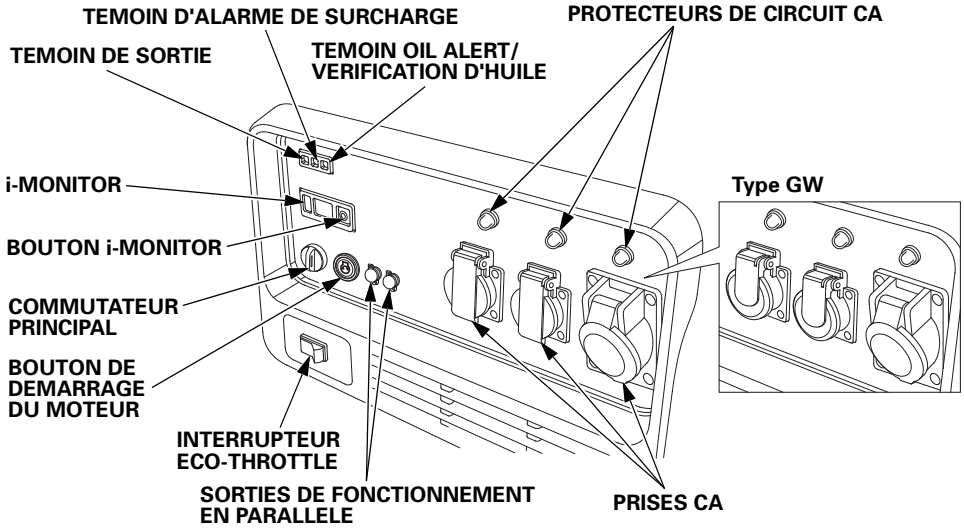
Le nom et l'adresse du constructeur et du représentant agréé figurent dans la PRÉSENTATION DU CONTENU de la "Déclaration de Conformité CE" dans le présent manuel de l'utilisateur.

COMMANDES ET FONCTIONS

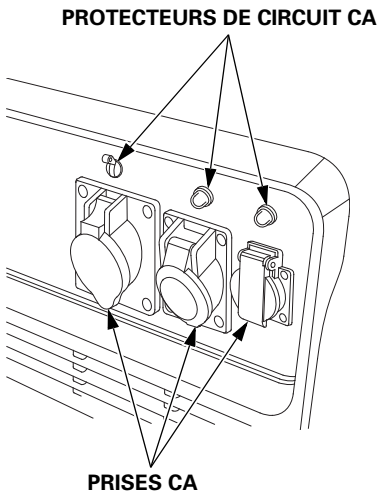
EMPLACEMENT DES PIECES ET COMMANDES

Utiliser les illustrations de ces pages pour localiser et identifier les commandes les plus fréquemment utilisées.

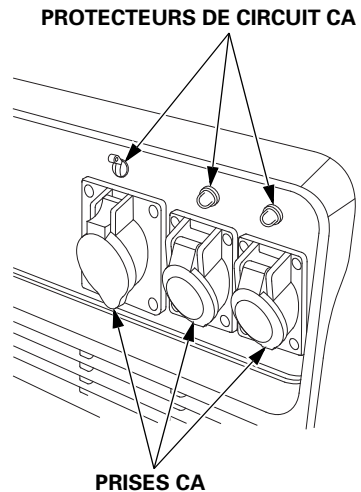
Type G



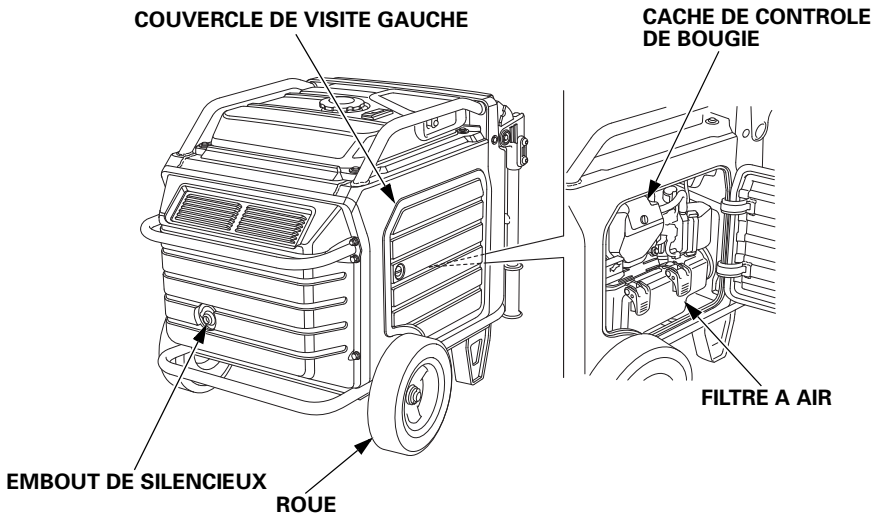
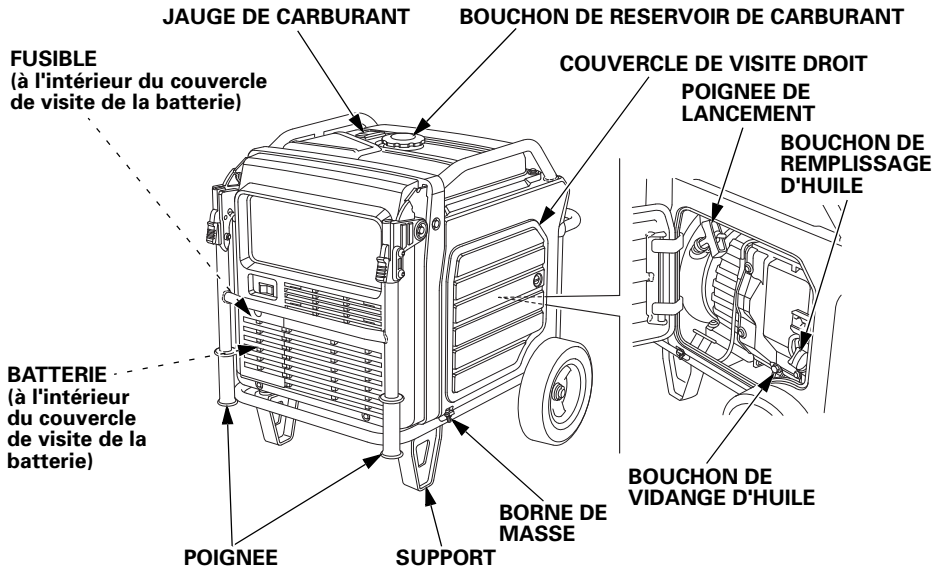
Type F



Type IT



COMMANDES ET FONCTIONS



COMMANDES ET FONCTIONS

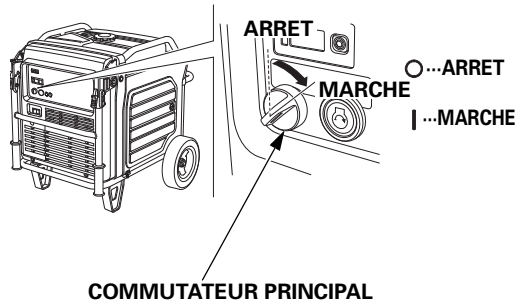
COMMANDES

Commutateur PRINCIPAL

Le commutateur PRINCIPAL commande le système d'allumage.

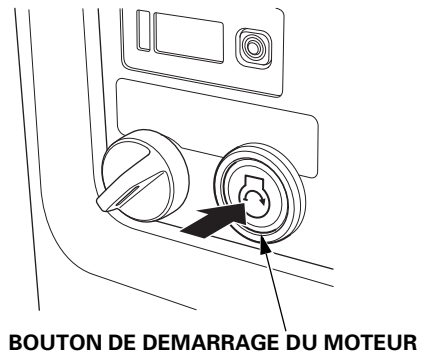
ARRET – permet d'arrêter le moteur. La clé du commutateur principal peut être retirée ou insérée.

MARCHE – position de fonctionnement, de démarrage avec le bouton DEMARRAGE DU MOTEUR ou le lanceur à rappel et d'utilisation du kit de commande à distance (pièces en option).



Bouton DEMARRAGE DU MOTEUR

Après avoir placé le commutateur PRINCIPAL en position MARCHE, appuyer brièvement sur le bouton DEMARRAGE DU MOTEUR pour lancer le moteur.



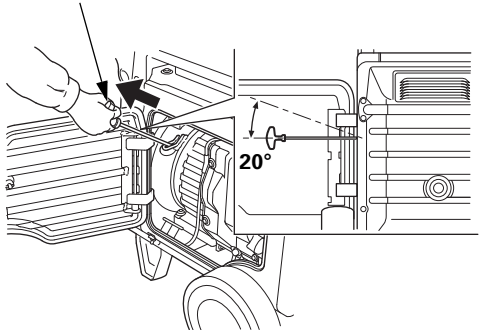
Poignée de lancement

S'utilise lorsque la tension de la batterie est insuffisante pour faire tourner le démarreur. Une traction sur la poignée de lancement actionne le lanceur à rappel, ce qui permet de lancer le moteur.

REMARQUE

- *Ne pas tirer la poignée de lancement avec un angle supérieur à 20 degrés par rapport à l'horizontale.*
- *Ne pas laisser la poignée de lancement revenir brusquement contre le moteur. Accompagner doucement son mouvement de retour pour ne pas risquer d'endommager le lanceur.*
- *Ne pas laisser la corde du lanceur frotter contre le corps du groupe électrogène car elle s'userait prématurément.*

POIGNEE DE LANCEMENT



Interrupteur Eco-Throttle

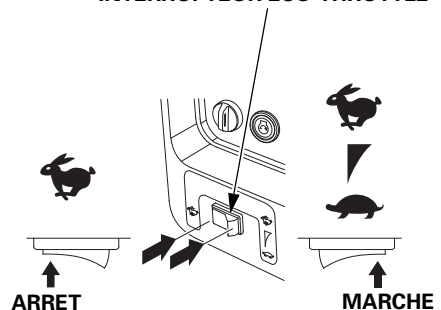
Le système Eco-Throttle diminue automatiquement le régime moteur lorsque tous les consommateurs sont mis hors tension ou débranchés. Lorsque les appareils sont remis sous tension ou rebranchés, le moteur revient au régime nominal pour alimenter la charge électrique.

Si des charges électriques élevées sont branchées simultanément, placer l'interrupteur Eco-Throttle sur ARRET pour réduire les variations de tension.

MARCHE – recommandé pour réduire la consommation de carburant au minimum et diminuer encore le niveau sonore lorsque le groupe électrogène est sollicité de manière réduite ou nulle.

ARRET – le système Eco-Throttle ne fonctionne pas. Le groupe électrogène fonctionne à plein régime.

INTERRUPTEUR ECO-THROTTLE

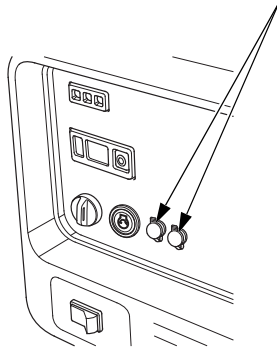


COMMANDES ET FONCTIONS

Sorties de fonctionnement en parallèle

Ces sorties servent à raccorder l'EU70is à un autre groupe électrogène EU70is pour un fonctionnement en parallèle (voir page 42). Un kit de connexion parallèle agréé par Honda (équipement en option) est nécessaire pour le fonctionnement en parallèle. Ce kit est en vente chez le concessionnaire réparateur.

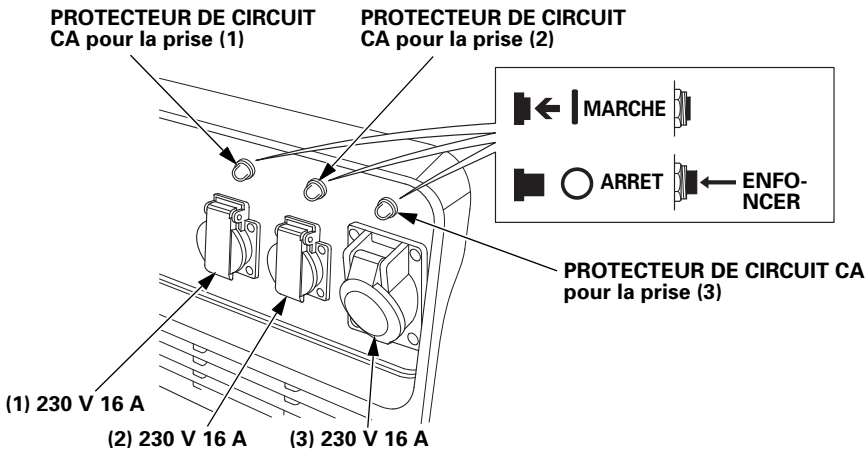
SORTIES DE FONCTIONNEMENT EN PARALLELE



Protecteurs de circuit CA

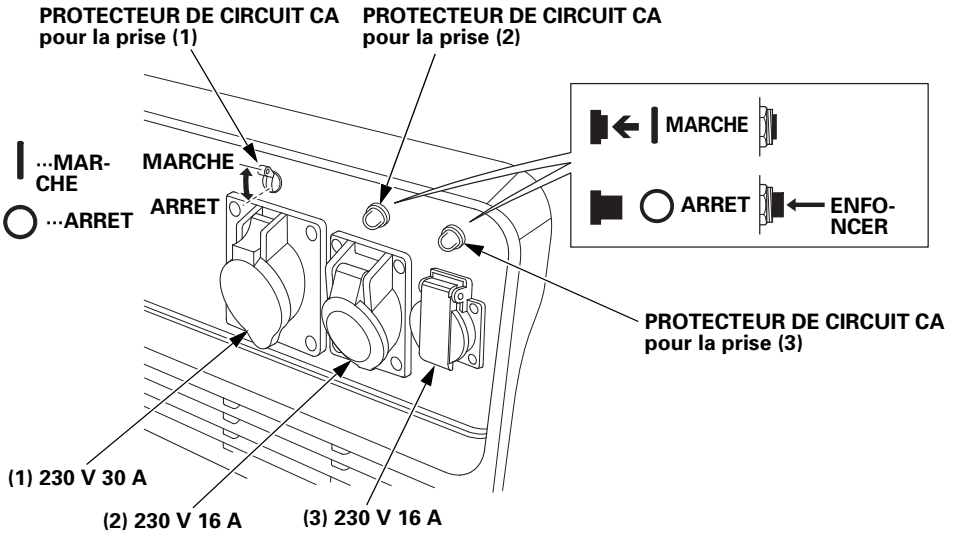
Les protecteurs de circuit CA coupent le circuit automatiquement en cas de court-circuit ou d'une surcharge importante du groupe électrogène à chaque prise. Si un protecteur de circuit CA coupe automatiquement le circuit, s'assurer que l'appareil fonctionne correctement et ne dépasse pas la capacité de charge nominale du circuit avant de réenclencher le protecteur de circuit CA.

Types G, GW

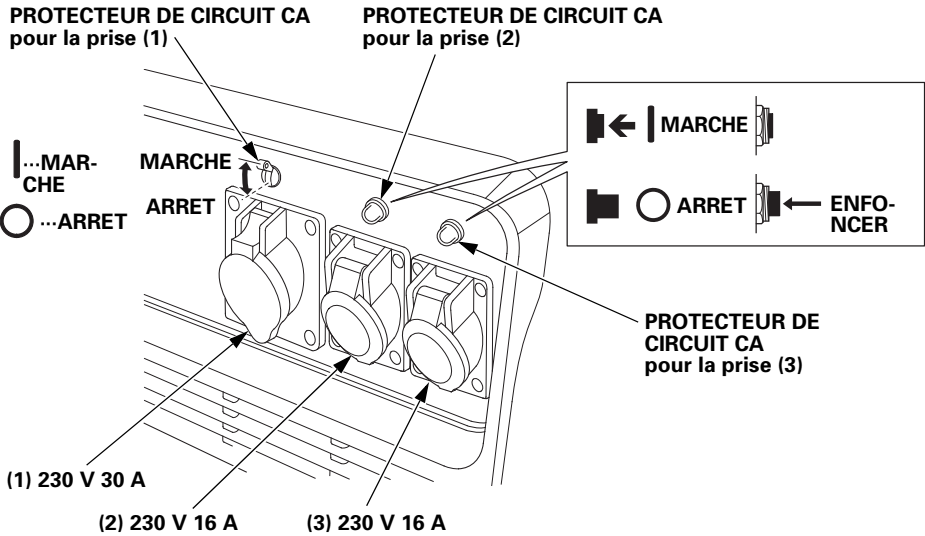


COMMANDES ET FONCTIONS

Type F



Type IT



COMMANDES ET FONCTIONS

Poignées repliables

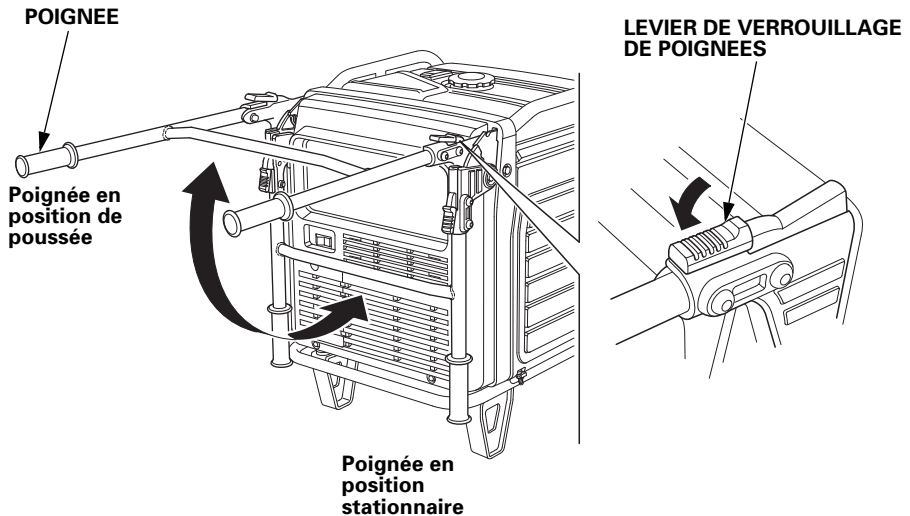
Les poignées repliables permettent de pousser facilement le groupe électrogène et doivent être pliées lorsque le groupe électrogène est en position stationnaire. Ne pas poser d'objets sur les poignées déployées.

Pour déployer les poignées

Soulever les poignées. Les leviers de verrouillage verrouillent alors les poignées et les immobilisent.

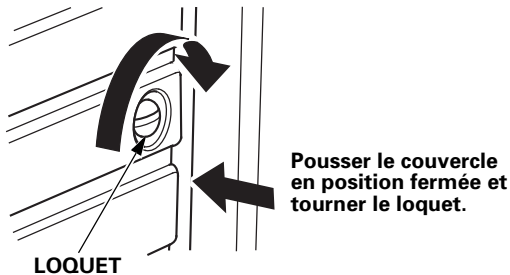
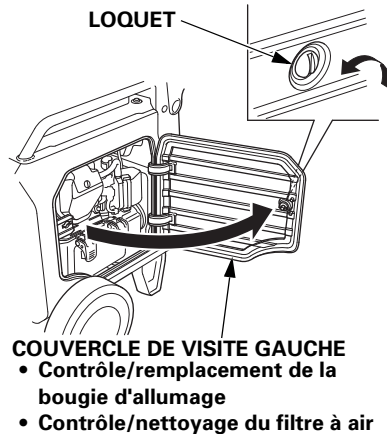
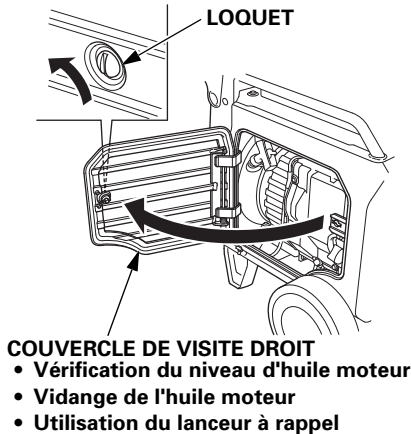
Pour rabattre les poignées

1. Pousser les deux leviers de verrouillage des poignées vers le bas.
2. Abaisser les poignées.



Couvercles de visite

Emplacement des couvercles de visite.



Veiller à ce que les couvercles de visite restent fermés tant que le groupe électrogène fonctionne.

REMARQUE

Faire fonctionner le groupe électrogène avec un ou plusieurs couvercles de visite ouverts aura un effet néfaste sur les performances du moteur et provoquera une surchauffe du groupe électrogène.

Pour ouvrir :

Tourner le loquet de 90° dans le sens inverse des aiguilles d'une montre.

Pour fermer :

Tourner le loquet de 90° dans le sens des aiguilles d'une montre tout en poussant le couvercle pour le verrouiller.

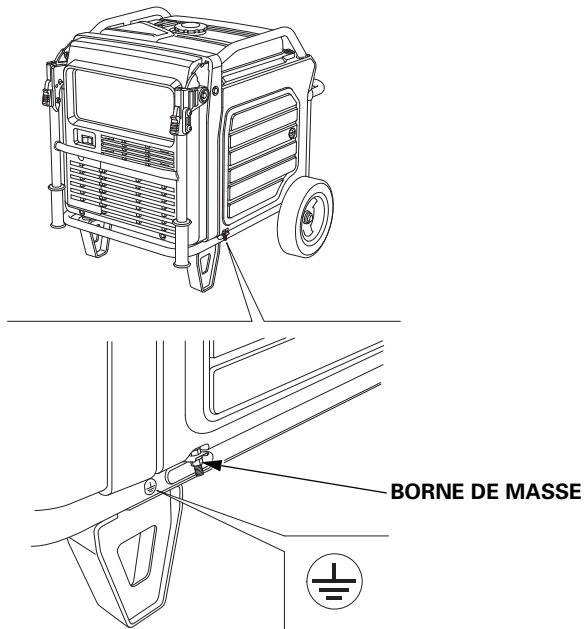
COMMANDES ET FONCTIONS

FONCTIONS

Borne de masse

La borne de masse est connectée au châssis du groupe électrogène, aux pièces métalliques non porteuses de courant du groupe et aux bornes de masse de chaque prise.

Avant d'utiliser la borne de masse, consulter un électricien qualifié, un contrôleur d'installations électriques ou une agence locale habilitée afin de connaître les codes ou règlements locaux applicables à l'utilisation prévue du groupe électrogène.



Le groupe électrogène produit une puissance électrique suffisamment importante pour provoquer un choc électrique grave ou une électrocution s'il est mal utilisé.

Si l'appareil branché est relié à la terre, mettre également le groupe électrogène à la terre.

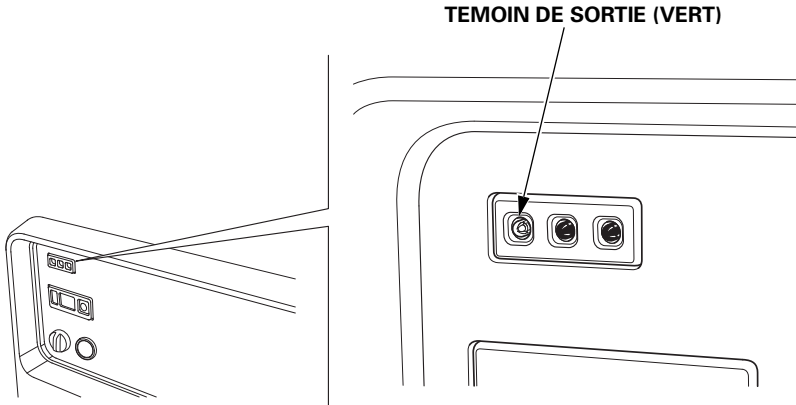
Pour la mise à la terre de la borne du groupe électrogène, utiliser un fil en cuivre d'un diamètre égal ou supérieur au cordon de l'appareil branché.

Utiliser un cordon prolongateur avec fil de terre lors du branchement d'un appareil avec fil de terre.

Pour identifier la broche de terre dans la fiche, voir Prise, page 79.

Témoin SORTIE

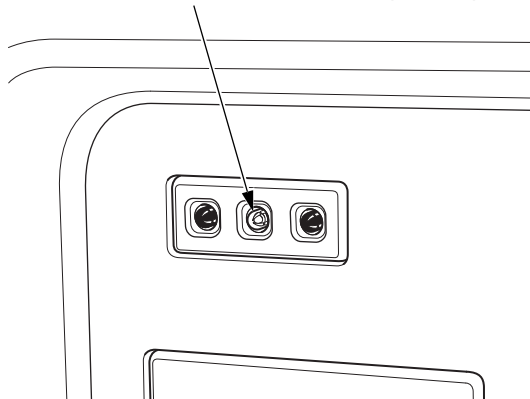
Lorsque le groupe électrogène fonctionne normalement, le témoin SORTIE vert est allumé. Ceci signifie que le groupe électrogène fournit du courant électrique aux prises.



Témoin ALARME DE SURCHARGE

Le témoin ALARME DE SURCHARGE rouge s'allume en cas de surcharge du groupe électrogène, de court-circuit dans un appareil branché ou de surchauffe de l'onduleur. Si le groupe électrogène fonctionne en état de surcharge, le témoin ALARME DE SURCHARGE rouge reste allumé puis, au bout de cinq secondes environ, le courant vers le ou les appareils branchés est coupé et le témoin SORTIE vert s'éteint.

TEMOIN D'ALARME DE SURCHARGE (ROUGE)



COMMANDES ET FONCTIONS

Témoin OIL ALERT/VERIFICATION D'HUILE

Le système Oil Alert protège le moteur contre les dommages dus au manque d'huile dans le carter moteur. Avant que le niveau d'huile dans le carter moteur ne descende sous le seuil de sécurité, le témoin OIL ALERT/VERIFICATION D'HUILE s'allume et le système Oil Alert arrête automatiquement le moteur (le commutateur PRINCIPAL reste en position MARCHE).

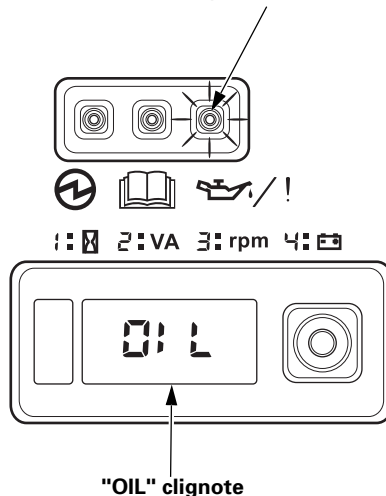
L'affichage de l'i-Monitor indique "OIL" sur l'écran et le témoin OIL ALERT/VERIFICATION D'HUILE s'allume.

Si le moteur s'arrête ou si le témoin OIL ALERT/VERIFICATION D'HUILE lorsque l'on appuie sur le bouton DEMARRAGE DU MOTEUR ou que l'on tire la poignée de lancement, vérifier le niveau d'huile moteur (voir page 54) avant de rechercher l'origine du problème ailleurs.

Même après que l'on a remis de l'huile dans le moteur, le groupe électrogène ne redémarre pas tant que le témoin OIL ALERT/VERIFICATION D'HUILE n'a pas été réarmé. Pour réarmer le témoin OIL ALERT/VERIFICATION D'HUILE, placer le commutateur PRINCIPAL sur la position ARRET, ajouter la quantité d'huile appropriée (voir page 54), puis remettre le commutateur PRINCIPAL sur la position MARCHE.

Si le témoin OIL ALERT/VERIFICATION D'HUILE clignote à nouveau, consulter un concessionnaire réparateur.

TEMOIN OIL ALERT/VERIFICATION D'HUILE (ROUGE)



COMMANDES ET FONCTIONS

i-Monitor

L'i-Monitor est une interface utilisateur permettant à l'utilisateur de visualiser (pendant le fonctionnement du groupe électrogène) la durée totale d'utilisation en heures, la puissance du groupe électrogène, le régime moteur, la tension de la batterie et des messages d'erreur. On peut changer de mode d'affichage en appuyant sur le bouton i-Monitor.

i-Monitor au démarrage

Lors du démarrage, l'affichage de l'i-Monitor et les trois témoins clignotent une fois simultanément. Ceci permet de vérifier l'état de l'affichage de l'i-Monitor et des trois témoins. Pendant le fonctionnement du groupe électrogène, le témoin SORTIE vert et l'affichage de l'i-Monitor restent allumés.

Clignotement du rétroéclairage de l'affichage

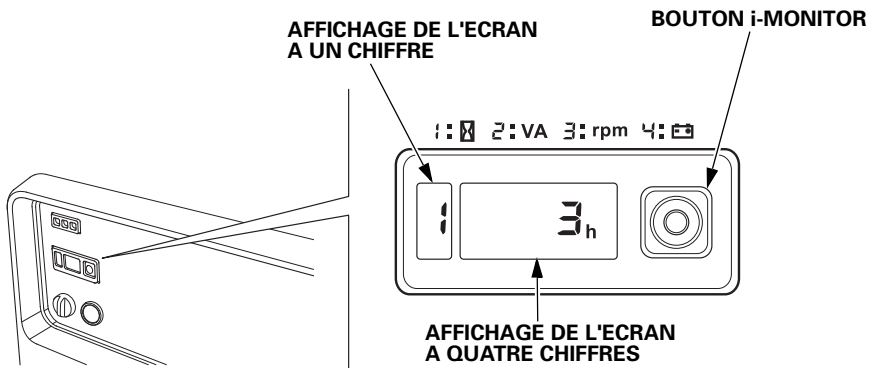
Si on laisse la clé en position MARCHE pendant plus de 30 secondes sans démarrer le moteur, l'affichage commence à clignoter.

Affichage de l'i-Monitor

L'affichage de l'i-Monitor est divisé en deux écrans. L'écran à un seul chiffre affiche le mode de l'i-Monitor, représenté par un nombre allant de 1 à 4. L'écran à quatre chiffres affiche les valeurs des quatre modes ou les éventuels messages d'erreur activés.

Mode d'affichage de l'i-Monitor 1 – Nombre total d'heures d'utilisation

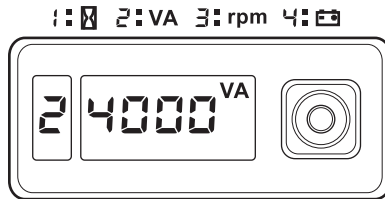
Ce mode affiche le nombre total d'heures d'utilisation du groupe électrogène. Pendant le fonctionnement du groupe électrogène, la durée totale d'utilisation augmente. Tant que la durée totale d'utilisation est inférieure à une heure, l'affichage numérique indique "0". Lorsque la durée d'utilisation atteint une heure ou plus, l'affichage indique "1", "2", etc. Basé le programme d'entretien du groupe électrogène sur la durée cumulée affichée.



COMMANDES ET FONCTIONS

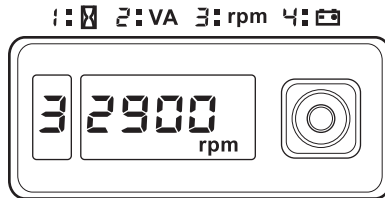
Mode d'affichage de l'i-Monitor 2 – Puissance développée

Ce mode indique la puissance approximative du groupe électrogène sur l'écran d'affichage. La puissance est exprimée en VA (volts-ampères). La valeur de puissance n'est pas une mesure exacte et n'est donnée qu'à titre indicatif. La puissance développée ne s'affiche que si une charge est branchée au groupe électrogène.



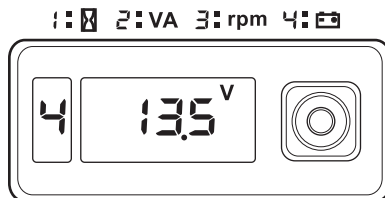
Mode d'affichage de l'i-Monitor 3 – Régime moteur

Lorsque l'i-Monitor se trouve dans ce mode, le régime moteur exprimé en tours par minute (tr/min) s'affiche.



Mode d'affichage de l'i-Monitor 4 – Tension de la batterie

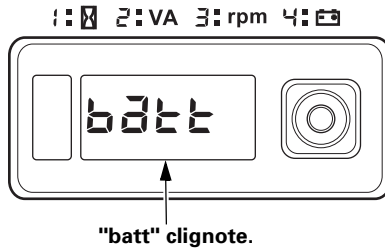
Ce mode affiche l'état de la batterie exprimé en volts CC.



COMMANDES ET FONCTIONS

Message de batterie déchargée de l'i-Monitor

Si lorsque l'on appuie sur le bouton DEMARRAGE DU MOTEUR l'indication "batt" clignote sur l'affichage de l'i-Monitor, la tension de la batterie est insuffisante pour faire fonctionner le démarreur électrique du moteur. Utiliser alors le lanceur pour mettre le groupe électrogène en marche. Faire recharger et vérifier la batterie (voir page 65).

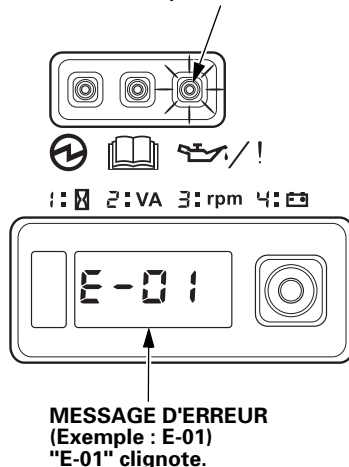


Messages d'erreur du système i-Monitor

En cas d'anomalie d'un système du groupe électrogène, un message d'erreur clignote sur l'affichage de l'i-Monitor. Pendant l'utilisation de la commande à distance, un message d'erreur E-01 peut s'afficher si le bouton DEMARRAGE DU MOTEUR reste enclenché pendant plus de 10 secondes. Si un message d'erreur E-01 apparaît, le moteur reste en fonctionnement et la puissance électrique développée peut rester constante.

Le fonctionnement normal de la commande à distance sera rétabli après effacement automatique du message d'erreur E-01. Si le message d'erreur E-01 ne s'efface pas automatiquement ou si d'autres messages d'erreur s'affichent, s'adresser à un concessionnaire réparateur.

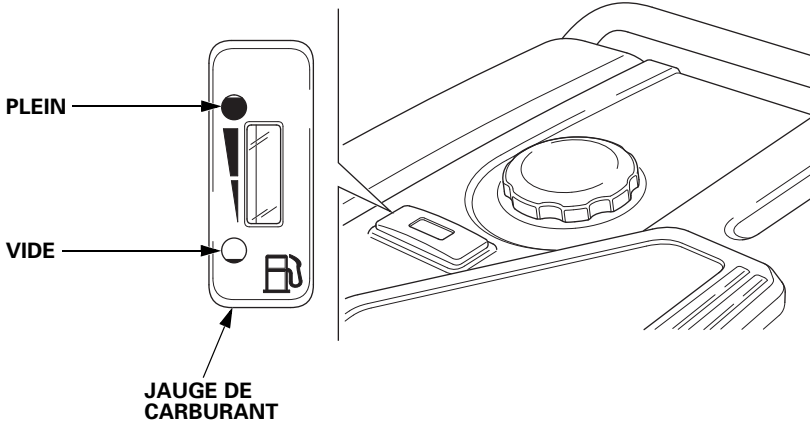
TEMOIN OIL ALERT/VERIFICATION D'HUILE



COMMANDES ET FONCTIONS

Jauge de carburant

La jauge de carburant est un dispositif mécanique qui mesure le niveau de carburant dans le réservoir. L'indicateur rouge dans le hublot indique lorsque le réservoir est plein ou vide. Pour une plus grande autonomie de fonctionnement, remplir le réservoir de carburant avant l'utilisation. Vérifier le niveau de carburant avec le groupe électrogène sur une surface horizontale. Toujours faire le plein lorsque le moteur est arrêté et froid.



AVANT L'UTILISATION

ETES-VOUS PRET A DEMARRER ?

Votre sécurité est votre responsabilité. Quelques moments consacrés à la préparation permettent de réduire considérablement les risques de blessures.

Acquisition des connaissances

Lire et assimiler le contenu de ce manuel. Apprendre la fonction des commandes et comment les utiliser.

Se familiariser avec le groupe électrogène et son fonctionnement avant de commencer à l'utiliser. Apprendre à arrêter rapidement le groupe électrogène en cas d'urgence.

Si le groupe électrogène est utilisé pour alimenter des appareils électriques, s'assurer que ceux-ci ne dépassent pas la capacité de charge nominale du groupe électrogène (voir page 41).

LE GROUPE ELECTROGENE EST-IL PRET A FONCTIONNER ?

Pour la sécurité, pour le respect de la réglementation de protection de l'environnement et pour optimiser la longévité de l'équipement, il est très important de consacrer quelques instants à vérifier l'état du groupe électrogène avant de l'utiliser. Corriger tout problème constaté ou confier cette opération au concessionnaire avant l'utilisation du groupe électrogène.

⚠ ATTENTION

Un entretien incorrect ou l'absence de correction d'un problème avant l'utilisation pourrait provoquer un dysfonctionnement susceptible d'entraîner un accident grave.

Toujours effectuer les contrôles recommandés avant chaque utilisation et corriger tout problème.

Pour ne pas risquer un incendie, garder le groupe électrogène à au moins 1 mètre des murs des bâtiments et des autres équipements pendant l'utilisation. Ne pas placer d'objets inflammables près du moteur.

Avant de commencer les contrôles avant l'utilisation, s'assurer que le groupe électrogène est sur une surface ferme et horizontale et que le commutateur PRINCIPAL se trouve sur la position ARRÊT.

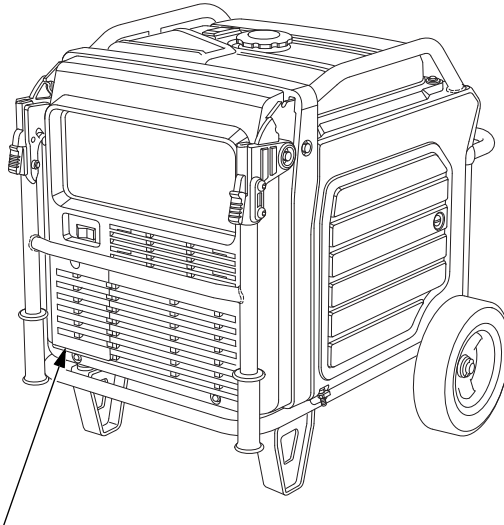
AVANT L'UTILISATION

Vérifier le moteur

- Avant chaque utilisation, regarder autour du moteur et au-dessous afin de déceler tout signe de fuite d'huile ou d'essence.
- Vérifier le niveau d'huile moteur (voir page 54). Si le niveau d'huile moteur est insuffisant, le système Oil Alert arrête le moteur.
- Vérifier les filtres à air (voir page 57). Des filtres à air encrassés vont restreindre le passage d'air vers le système de carburant, ce qui diminuera les performances du moteur et du groupe électrogène.
- Vérifier le niveau de carburant (voir page 52). En démarrant avec un réservoir de carburant plein, on évitera ou on réduira les interruptions d'utilisation pour faire le plein.

Couvercle de visite de la batterie

Ne jamais faire fonctionner le groupe électrogène alors que le couvercle de visite de la batterie est ouvert car ceci affecterait les performances du moteur et du groupe électrogène.



COUVERCLE DE VISITE DE LA BATTERIE

UTILISATION

CONSIGNES DE SECURITE D'UTILISATION

Avant d'utiliser le groupe électrogène pour la première fois, lire les chapitres *SECURITE DU GROUPE ELECTROGENE* (voir page 6) et *AVANT L'UTILISATION* (voir page 29).

Par sécurité, ne pas faire fonctionner le groupe électrogène dans un endroit clos tel qu'un garage. Les gaz d'échappement du groupe électrogène contiennent du monoxyde de carbone, un gaz toxique qui peut s'accumuler rapidement dans un endroit clos et provoquer une intoxication ou la mort.

ATTENTION

Les gaz d'échappement contiennent du monoxyde de carbone, un gaz toxique qui peut s'accumuler à des niveaux dangereux dans des endroits clos. L'inhalation de monoxyde de carbone peut provoquer des évanouissements ou la mort.

Ne jamais faire fonctionner le groupe électrogène dans un endroit clos, même partiellement, où il peut y avoir des personnes.

Avant de raccorder un appareil ou un cordon d'alimentation CA au groupe électrogène :

- Utiliser des cordons prolongateurs, outils et appareils à 3 fiches ou des outils et appareils à double isolation.
- Contrôler les cordons et fiches et les remplacer s'ils sont endommagés.
- S'assurer que l'appareil est en bon état de fonctionnement. Des appareils ou cordons d'alimentation défectueux font courir un risque d'électrocution.
- S'assurer que les caractéristiques électriques nominales de l'outil ou de l'appareil ne dépassent pas la puissance nominale du groupe électrogène ou de la prise utilisée.
- Utiliser le groupe électrogène à au moins 1 mètre des bâtiments et autres équipements.
- Ne pas faire fonctionner le groupe électrogène dans une structure fermée.
- Ne pas placer d'objets inflammables près du moteur.

UTILISATION

- Ne pas dépasser la limite d'intensité spécifiée pour chaque prise.
- Ne pas modifier le groupe électrogène et ne pas l'utiliser à d'autres fins que ce pour quoi il est prévu. Observer également les points suivants lors de l'utilisation du groupe électrogène.
- Ne pas connecter une rallonge au tuyau d'échappement.
- Lorsqu'il est nécessaire d'ajouter un câble prolongateur, utiliser un câble à gaine caoutchouc flexible et robuste (CEI 245 ou équivalent).
- Longueur limite des câbles prolongateurs : 60 m pour les câbles de 1,5 mm² et 100 m pour les câbles de 2,5 mm². Des câbles prolongateurs trop longs réduisent la puissance utilisable car leur résistance est plus grande.
- Installer le groupe électrogène loin de tous câbles ou fils électriques, tels que les câbles d'alimentation du réseau d'électricité.

Fréquence d'utilisation

Si le groupe électrogène doit être utilisé de manière occasionnelle ou par intermittence (plus de 4 semaines avant la prochaine utilisation), se reporter à la rubrique Entretien de la batterie du chapitre *ENTRETIEN DU GROUPE ELECTROGENE* (voir page 62) et à la rubrique Carburant du chapitre *REMISAGE* (voir page 67) pour plus de renseignements concernant la batterie et la dégradation du carburant.

MISE EN MARCHÉ DU MOTEUR

Pour ne pas risquer un incendie, garder le groupe électrogène à au moins 1 mètre des murs des bâtiments et des autres équipements pendant l'utilisation. Ne pas placer d'objets inflammables près du moteur.

REMARQUE

- *Si l'on utilise ce groupe électrogène à moins de 1 mètre d'un bâtiment ou d'un autre obstacle, ceci peut le faire surchauffer et l'endommager.*
- *Pour assurer un bon refroidissement, laisser au moins 1 mètre d'espace vide au-dessus du groupe électrogène et autour. Laisser tous les orifices de refroidissement ouverts et les débarrasser de tous débris, traces de boue et d'eau, etc. Les orifices de refroidissement se trouvent sur le panneau de commande et au bas du groupe électrogène. Si les orifices de refroidissement sont obstrués, le groupe électrogène peut surchauffer et endommager le moteur, l'onduleur ou les enroulements.*

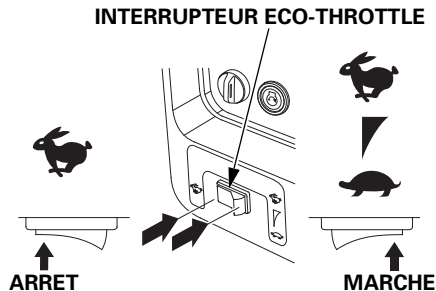
Voir les *CONSIGNES DE SECURITE D'UTILISATION* à la page 31 et effectuer les contrôles indiqués à la rubrique *LE GROUPE ELECTROGENE EST-IL PRET A FONCTIONNER ?* (voir page 29).

Voir *UTILISATION DU COURANT ALTERNATIF* (page 39) pour le raccordement des charges au groupe électrogène.

1. S'assurer qu'aucun appareil n'est branché sur les prises CA.

UTILISATION

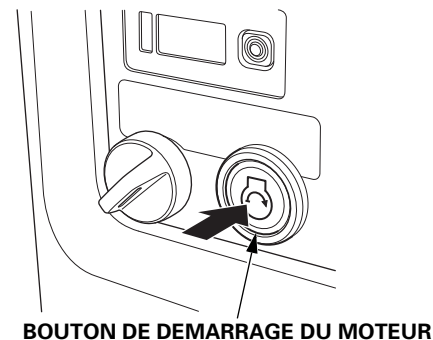
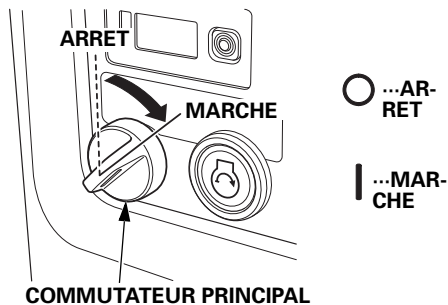
2. S'assurer que l'interrupteur Eco-Throttle est en position **ARRET**, sans quoi le préchauffage prendra davantage de temps. Si l'on souhaite utiliser le système Eco-Throttle, placer l'interrupteur Eco-Throttle en position **MARCHE** après avoir laissé le moteur chauffer pendant 2 ou 3 minutes.



3. Placer le commutateur **PRINCIPAL** sur la position **MARCHE**.

4. Appuyer brièvement sur le bouton **DEMARRAGE DU MOTEUR**. Le bouton **DEMARRAGE DU MOTEUR** reste enclenché pendant 5 secondes. Dès que le moteur démarre, le démarreur s'arrête automatiquement.

Si le moteur ne démarre pas, patienter au moins 10 secondes avant d'effectuer une nouvelle tentative.



Ne pas laisser le commutateur **PRINCIPAL** en position **MARCHE** lorsque le groupe électrogène n'est pas en marche, sous peine de vider la batterie. Placer le commutateur **PRINCIPAL** sur **ARRET** lorsque le groupe électrogène n'est pas utilisé.

- Lorsque la tension de la batterie est insuffisante pour faire tourner le démarreur, utiliser le lanceur.

a. Placer le commutateur PRINCIPAL sur la position MARCHÉ.

b. Ouvrir le couvercle de visite droit en tournant son loquet dans le sens inverse des aiguilles d'une montre.

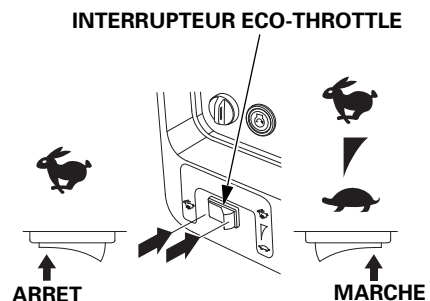
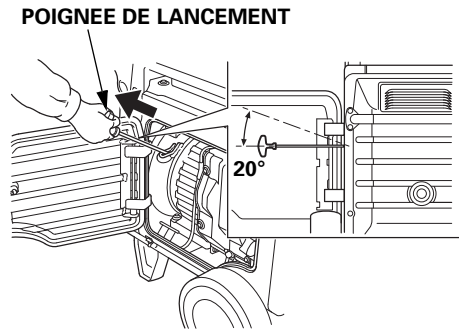
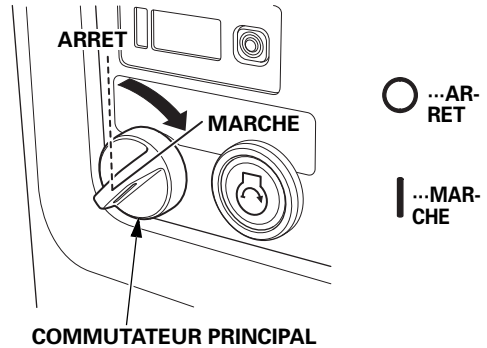
c. Tirer doucement la poignée de lancement jusqu'à ce que l'on ressente une résistance, puis la tirer d'un coup sec dans le sens de la flèche comme illustré.

REMARQUE

- *Ne pas tirer la poignée de lancement avec un angle supérieur à 20 degrés par rapport à l'horizontale.*
- *Ne pas laisser la poignée de lancement revenir brusquement contre le moteur. Accompagner doucement son mouvement de retour pour ne pas risquer d'endommager le lanceur.*
- *Ne pas laisser la corde du lanceur frotter contre le corps du groupe électrogène car elle s'userait prématurément.*

d. Fermer le couvercle de visite droit en tournant son loquet dans le sens des aiguilles d'une montre.

5. Pour utiliser le système Eco-Throttle, placer l'interrupteur Eco-Throttle sur la position MARCHÉ après avoir laissé le moteur chauffer pendant 2 ou 3 minutes.

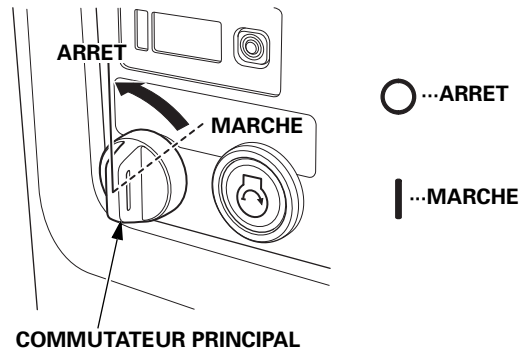


UTILISATION

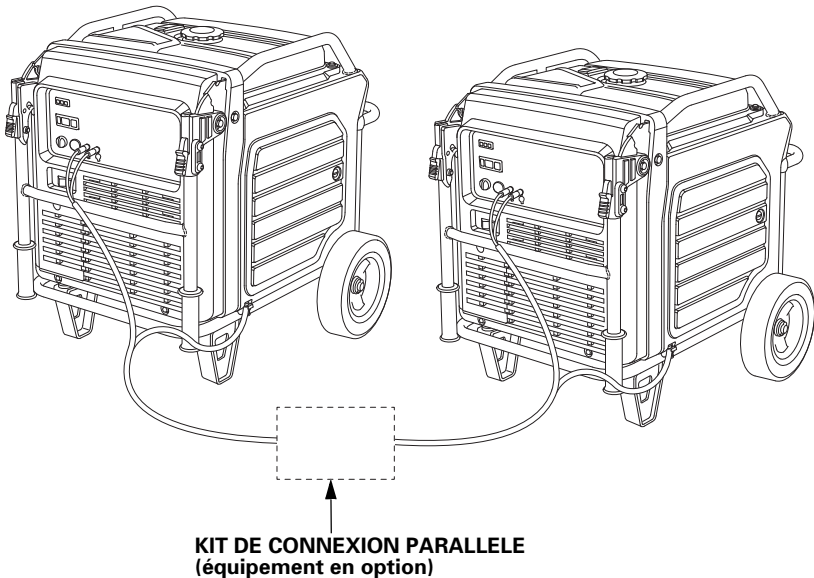
ARRET DU MOTEUR

Pour arrêter le moteur en cas d'urgence, placer simplement le commutateur PRINCIPAL sur la position ARRET.
Dans les conditions normales, utiliser la procédure suivante.

1. Mettre le commutateur PRINCIPAL sur la position ARRET.

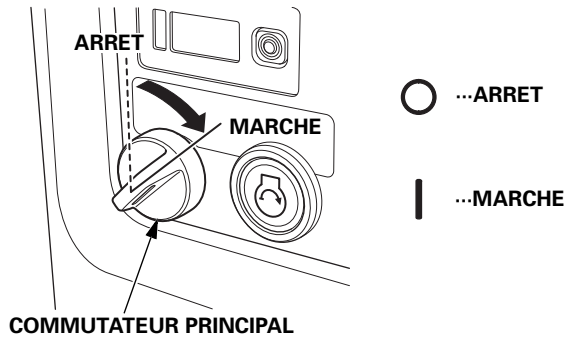


2. Débrancher tous les appareils des prises CA du groupe électrogène.
3. Si deux groupes électrogènes ont été raccordés, débrancher le câble de fonctionnement en parallèle après avoir arrêté les moteurs si l'on ne souhaite pas reprendre ce mode de fonctionnement.



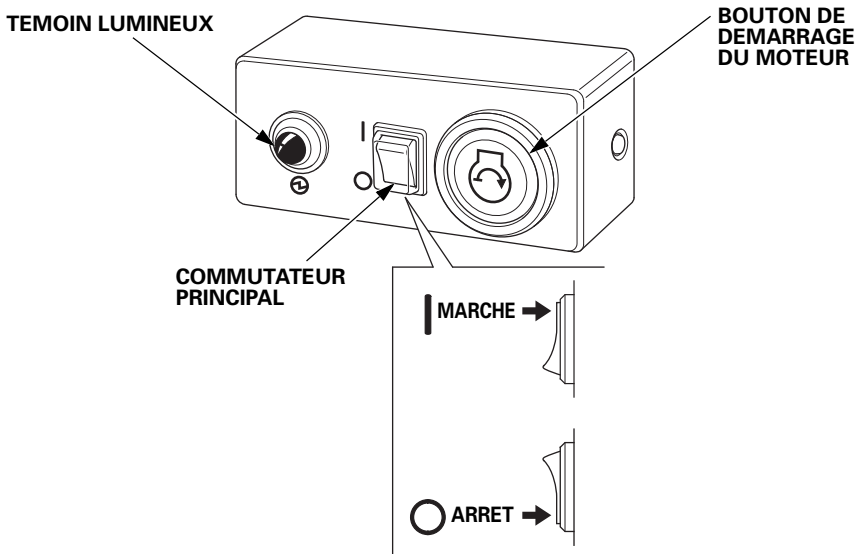
DEMARRAGE DU MOTEUR avec la COMMANDE A DISTANCE (pièce en option)

1. Placer le commutateur PRINCIPAL du groupe électrogène sur la position MARCHÉ.



2. Placer le commutateur PRINCIPAL de la commande à distance sur la position MARCHÉ.
3. Appuyer brièvement sur le bouton DEMARRAGE DU MOTEUR.
Le bouton DEMARRAGE DU MOTEUR reste enclenché pendant 5 secondes.
Dès que le moteur démarre, le démarreur s'arrête automatiquement.
Le témoin lumineux s'allume lorsque le moteur démarre.

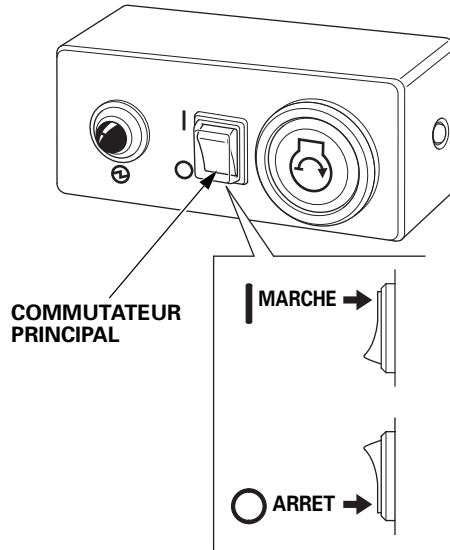
Si le moteur ne démarre pas, patienter au moins 10 secondes avant d'effectuer une nouvelle tentative.



UTILISATION

ARRET DU MOTEUR avec la COMMANDE A DISTANCE (pièce en option)

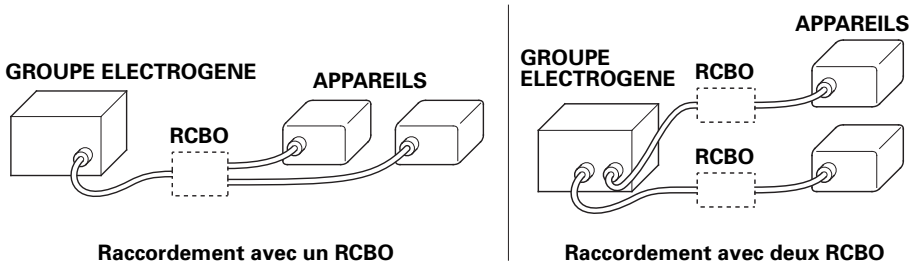
1. Placer le commutateur PRINCIPAL de la commande à distance sur la position ARRET.



UTILISATION DU COURANT ALTERNATIF

Connecter un RCBO (coupe-circuit différentiel résiduel avec protection contre les surintensités) de 30 mA de détection de fuite à la terre et coupure en moins de 0,4 seconde à plus de 30 A de courant de sortie si l'on utilise deux appareils ou plus.

Suivre les instructions fournies par chaque fabricant de RCBO avant l'utilisation.



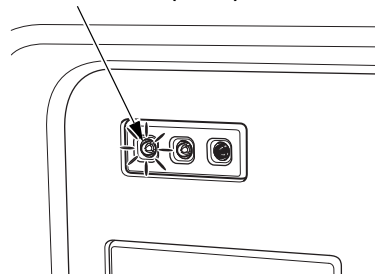
Si un appareil commence à fonctionner anormalement, devient lent ou s'arrête brusquement, le mettre immédiatement hors tension. Débrancher l'appareil et déterminer s'il est à l'origine du problème ou si la capacité de charge nominale du groupe électrogène n'a pas été dépassée.

REMARQUE

Une surcharge importante qui fait continuellement s'allumer le témoin ALARME DE SURCHARGE rouge peut endommager le groupe électrogène. Une surcharge marginale qui fait s'allumer temporairement le témoin ALARME DE SURCHARGE rouge peut raccourcir la durée de vie utile du groupe électrogène.

1. Mettre le moteur en marche et s'assurer que le témoin SORTIE vert s'allume.

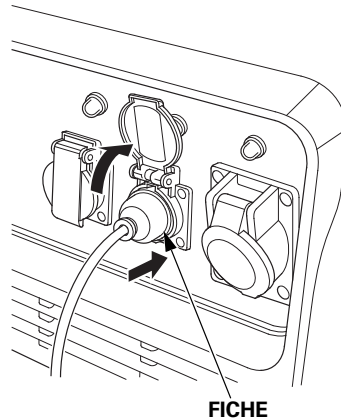
TEMOIN DE SORTIE (VERT)



UTILISATION

2. Brancher l'appareil.

La plupart des appareils motorisés demandent une puissance supérieure à leur puissance nominale pour le démarrage.



Le témoin ALARME DE SURCHARGE rouge s'allume en cas de surcharge du groupe électrogène, de court-circuit dans un appareil branché ou de surchauffe de l'onduleur. Le témoin ALARME DE SURCHARGE rouge reste allumé puis, au bout de cinq secondes environ, le courant vers le ou les appareils branchés est coupé et le témoin SORTIE vert s'éteint. Arrêter le moteur et rechercher l'origine du problème.

Déterminer si la cause est un court-circuit dans un appareil branché, une surcharge ou une surchauffe de l'onduleur. Corriger le problème et remettre le groupe électrogène en marche.

Avant de brancher un appareil au groupe électrogène, vérifier qu'il est en bon état de marche et que ses caractéristiques électriques ne dépassent pas celles du groupe électrogène. Démarrer le groupe électrogène et brancher le cordon d'alimentation de l'appareil.

Le témoin ALARME DE SURCHARGE rouge peut s'allumer au démarrage d'un moteur électrique. Ceci est normal si le témoin ALARME DE SURCHARGE rouge s'éteint au bout de cinq secondes environ. Si le témoin ALARME DE SURCHARGE rouge reste allumé, consulter un concessionnaire réparateur.

Applications CA

Avant de raccorder un appareil ou un cordon d'alimentation au groupe électrogène :

- S'assurer qu'il est en bon état de fonctionnement. Des appareils ou cordons d'alimentation défectueux font courir un risque d'électrocution.
- Si un appareil commence à fonctionner anormalement, devient lent ou s'arrête brusquement, le mettre immédiatement hors tension. Débrancher l'appareil et déterminer s'il est à l'origine du problème ou si la capacité de charge nominale du groupe électrogène n'a pas été dépassée.

La plupart des moteurs des équipements branchés exigent une puissance supérieure à la puissance nominale lors du démarrage. S'assurer que les caractéristiques électriques nominales de l'outil ou de l'appareil ne dépassent pas la puissance nominale maximale du groupe électrogène.

La puissance maximale est de :

7,0 kVA

Pour une utilisation en continu, ne pas dépasser la puissance nominale. La puissance nominale est de :

5,5 kVA

Dans les deux cas, la puissance totale requise (VA) de tous les appareils branchés doit être prise en compte. Les fabricants d'appareils et d'outils électriques indiquent généralement les caractéristiques nominales près du numéro de modèle ou du numéro de série.

REMARQUE

Une surcharge importante déclenchera le protecteur de circuit. Une surcharge marginale peut ne pas déclencher le protecteur de circuit, mais raccourcira la durée de vie utile du groupe électrogène.

UTILISATION

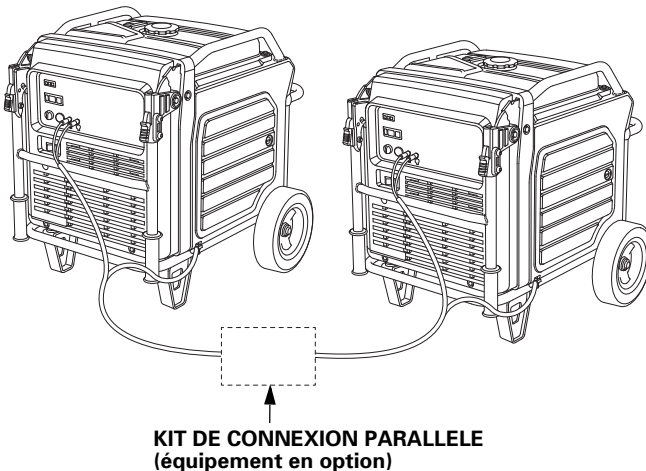
UTILISATION DU COURANT ALTERNATIF AVEC FONCTIONNEMENT EN PARALLELE

Avant de brancher un appareil à l'un ou l'autre groupe électrogène, vérifier qu'il est en bon état de marche et que ses caractéristiques électriques ne dépassent pas celles de la prise.

La plupart des appareils motorisés demandent une puissance supérieure à leurs caractéristiques électriques pour le démarrage. Le témoin ALARME DE SURCHARGE (rouge) peut s'allumer au démarrage d'un moteur électrique. Ceci est normal si le témoin ALARME DE SURCHARGE (rouge) s'éteint dans les 5 secondes. Si le témoin ALARME DE SURCHARGE (rouge) reste allumé, consulter un concessionnaire réparateur.

Pendant le fonctionnement en parallèle, l'interrupteur Eco-Throttle doit être dans la même position sur les deux groupes électrogènes.

1. Brancher le câble de fonctionnement en parallèle entre les deux groupes électrogènes EU70is en suivant les instructions fournies avec le kit de connexion parallèle.



2. Mettre le moteur en marche sur chaque groupe électrogène et s'assurer que chaque témoin SORTIE (vert) s'allume.
3. Brancher l'appareil en suivant les instructions fournies avec le kit de connexion parallèle.
4. Mettre l'appareil sous tension.

Les témoins ALARME DE SURCHARGE (rouges) s'allument en cas de surcharge des groupes électrogènes (voir page 45) ou de court-circuit dans un appareil branché. Les témoins ALARME DE SURCHARGE (rouges) restent allumés puis, au bout de cinq secondes environ, le courant vers le ou les appareils branchés est coupé et les témoins SORTIE (verts) s'éteignent. Arrêter les deux moteurs et rechercher l'origine du problème.

Déterminer si la cause est un court-circuit dans un appareil branché ou une surcharge. Corriger le problème et remettre les groupes électrogènes en marche.

UTILISATION

Applications CA avec fonctionnement en parallèle

Il est possible de raccorder ensemble deux groupes électrogènes EU70is pour augmenter la puissance disponible à l'aide d'un kit de connexion parallèle (équipement en option).

Suivre les instructions fournies avec le kit de connexion parallèle. Avant de raccorder un appareil ou un cordon d'alimentation au groupe électrogène :

- S'assurer qu'il est en bon état de fonctionnement. Des appareils ou cordons d'alimentation défectueux font courir un risque d'électrocution.
- Si un appareil commence à fonctionner anormalement, devient lent ou s'arrête brusquement, le mettre immédiatement hors tension. Débrancher l'appareil et déterminer s'il est à l'origine du problème ou si la capacité de charge nominale du groupe électrogène n'a pas été dépassée.
- Ne jamais raccorder des modèles de groupe électrogène différents.
- Pour le fonctionnement en parallèle, utiliser uniquement le kit de connexion parallèle agréé par Honda (équipement en option) pour raccorder un EU70is à un autre groupe électrogène EU70is.
- Ne jamais brancher ou débrancher le câble de fonctionnement en parallèle lorsque le groupe électrogène fonctionne.
- Pour l'utilisation d'un groupe électrogène seul, le câble de fonctionnement en parallèle doit être débranché des deux groupes électrogènes.

La plupart des moteurs des appareils exigent une puissance supérieure à la puissance nominale lors du démarrage.

S'assurer que les caractéristiques électriques nominales de l'outil ou de l'appareil ne dépassent pas la puissance nominale maximale du groupe électrogène.

La puissance maximum en fonctionnement en parallèle est :

14,0 kVA (Respecter la limite de puissance préconisée pour le kit de connexion parallèle.)

En cas de fonctionnement continu, ne pas dépasser la puissance nominale.

La puissance nominale en fonctionnement en parallèle est de :

11,0 kVA (Respecter la limite de puissance préconisée pour le kit de connexion parallèle.)

Dans les deux cas, la puissance totale requise (VA) de tous les appareils branchés doit être prise en compte. Les fabricants d'appareils et d'outils électriques indiquent généralement les caractéristiques nominales près du numéro de modèle ou du numéro de série.

REMARQUE

Une surcharge importante qui fait continuellement s'allumer le témoin ALARME DE SURCHARGE rouge peut endommager le groupe électrogène. Une surcharge marginale qui fait s'allumer temporairement le témoin ALARME DE SURCHARGE rouge peut raccourcir la durée de vie utile du groupe électrogène.

UTILISATION

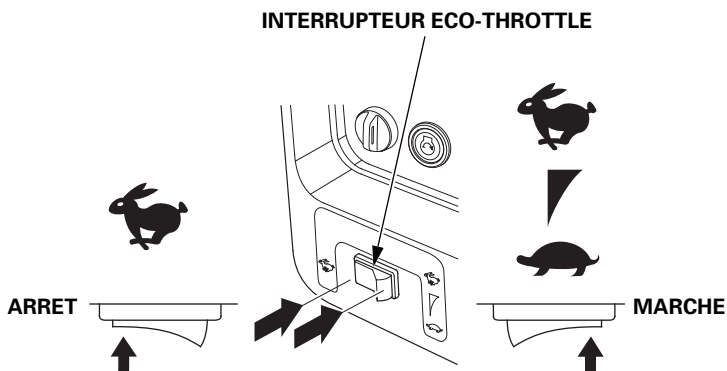
SYSTEME ECO-THROTTLE

Lorsque l'interrupteur est en position MARCHÉ, le régime moteur est automatiquement réduit lorsque les charges sont réduites ou lorsque les appareils sont mis hors tension ou débranchés. Lorsque les appareils sont remis sous tension ou rebranchés, le moteur revient au régime nominal pour alimenter les charges électriques. Sur la position ARRÊT, le système Eco-Throttle ne fonctionne pas.

Les appareils nécessitant une grande puissance de démarrage peuvent ne pas permettre au moteur d'atteindre le régime normal lorsqu'ils sont branchés au groupe électrogène. Placer l'interrupteur Eco-Throttle sur ARRÊT et brancher l'appareil au groupe électrogène. Si le moteur n'atteint toujours pas son régime de fonctionnement normal, vérifier que l'appareil ne dépasse pas la capacité de charge nominale du groupe électrogène.

Si des charges électriques élevées sont branchées simultanément, placer l'interrupteur Eco-Throttle sur ARRÊT pour réduire les variations de tension.

Le système Eco-Throttle n'est pas efficace lors de l'utilisation d'appareils ou d'outils ne nécessitant qu'une puissance momentanée. Si l'outil ou l'appareil est rapidement mis sous tension et hors tension, il faut laisser l'interrupteur Eco-Throttle en position ARRÊT.



ALIMENTATION DE SECOURS

Raccordement au système électrique d'un bâtiment

Le raccordement au système électrique d'un bâtiment pour assurer une alimentation de secours doit toujours être effectué par un électricien qualifié. La connexion doit isoler le groupe électrogène des lignes de la compagnie d'électricité et doit être conforme à toute la réglementation et à tous les codes électriques applicables.

ATTENTION

Un raccordement incorrect au système électrique d'un bâtiment peut permettre le retour du courant du groupe électrogène dans le réseau public.

Un tel retour du courant peut provoquer l'électrocution du personnel de la compagnie d'électricité ou de toute autre personne touchant les lignes électriques pendant une panne de courant. De plus, le groupe électrogène risque d'exploser, de brûler ou de provoquer un incendie lors du rétablissement du courant.

Avant d'effectuer des raccordements électriques, consulter la compagnie d'électricité ou un électricien qualifié.

Dans certaines zones, la réglementation requiert que les groupes électrogènes soient enregistrés auprès des compagnies d'électricité locales. Vérifier la réglementation locale pour l'enregistrement et les procédures d'utilisation à respecter.

Masse du système

Ce groupe électrogène est pourvu d'une masse de système qui connecte les pièces du châssis du groupe électrogène aux bornes de masse des prises de sortie CA. La masse du système n'est pas connectée au fil de neutre CA.

UTILISATION

Prescriptions spéciales

Il se peut que des lois, codes locaux ou règlements locaux s'appliquent à l'usage que l'on prévoit de faire du groupe électrogène. Consulter un électricien qualifié, un contrôleur d'installations électriques ou une agence locale habilitée.

- Dans certaines zones, les groupes électrogènes doivent être enregistrés auprès des compagnies d'électricité locales.
- Si le groupe électrogène est utilisé sur un chantier de construction, il se peut que certains autres règlements doivent être observés.

ENTRETIEN DU GROUPE ELECTROGENE

L'IMPORTANCE DE L'ENTRETIEN

Un bon entretien est essentiel pour un fonctionnement sûr, économique et sans problème. Il contribue également à réduire la pollution atmosphérique.

Pour faciliter l'entretien correct du groupe électrogène, on trouvera aux pages suivantes un programme d'entretien, des procédures de contrôle de routine et des procédures d'entretien simples pouvant être effectuées avec des outils à main de base. D'autres opérations d'entretien plus difficiles ou demandant des outils spéciaux seront mieux exécutées par des professionnels et devront normalement être confiées à un technicien Honda ou à un autre mécanicien qualifié.

Le programme d'entretien s'applique à des conditions d'utilisation normales. Si l'on utilise le groupe électrogène dans des conditions inhabituelles telles qu'un fonctionnement prolongé sous une charge élevée ou par temps chaud, ou dans des conditions poussiéreuses, demander au concessionnaire réparateur des recommandations pour des besoins et un usage particuliers.

ATTENTION

Un entretien incorrect ou l'absence de correction d'un problème avant l'utilisation peut provoquer un dysfonctionnement susceptible d'entraîner des accidents graves voire mortels.

Toujours observer les recommandations et programmes de contrôle et d'entretien figurant dans ce manuel.

Ne pas oublier que c'est le concessionnaire réparateur Honda agréé qui connaît le mieux le groupe électrogène et qu'il est parfaitement outillé pour l'entretenir et le réparer.

Pour une qualité et une fiabilité optimales, n'utiliser que des pièces neuves de marque Honda ou leur équivalent pour les réparations et remplacements.

ENTRETIEN DU GROUPE ELECTROGENE

SECURITE D'ENTRETIEN

Certaines des consignes de sécurité les plus importantes sont indiquées ci-dessous. Il ne nous est toutefois pas possible de vous avertir de tous les dangers imaginables que vous pouvez rencontrer en exécutant l'entretien. Vous êtes seul juge de décider si vous devez ou non effectuer un travail donné.

ATTENTION

En n'observant pas correctement les instructions et précautions d'entretien, on s'expose à de graves blessures ou à un danger de mort.

Toujours observer les procédures et précautions indiquées dans ce manuel.

Consignes de sécurité

Avant de commencer un entretien ou une réparation, s'assurer que le moteur est arrêté. Ceci éliminera plusieurs risques potentiels :

- **Empoisonnement par le monoxyde de carbone contenu dans les gaz d'échappement du moteur.**
Procéder à l'extérieur, à bonne distance des fenêtres ou portes ouvertes.
- **Brûlures par des pièces chaudes.**
Attendre que le moteur et le système d'échappement soient refroidis avant de les toucher.
- **Blessure par des pièces mobiles.**
Ne faire tourner le moteur que si cela est indiqué dans les instructions.
- Lire les instructions avant de commencer et s'assurer que l'on dispose de l'outillage et des compétences nécessaires.
- Pour diminuer les risques d'incendie ou d'explosion, agir avec prudence lorsque l'on travaille à proximité de l'essence. Pour nettoyer les pièces, n'utiliser que des solvants ininflammables et non de l'essence. Ne pas approcher de cigarettes, étincelles ou flammes des pièces du système d'alimentation en carburant.

ENTRETIEN DU GROUPE ELECTROGENE

PROGRAMME D'ENTRETIEN

PERIODICITE D'ENTRETIEN (3) POSTE Exécuter l'entretien selon la périodicité indiquée en mois ou en heures de fonctionnement, à la première des deux échéances.		A chaque utilisation	Premier mois ou 20 h	Tous les 3 mois ou 50 h	Tous les 6 mois ou 100 h	Une fois par an ou 300 h	Page	
Huile moteur	Contrôler le niveau	o					54	
	Remplacer		o		o		55	
Filtre à air	Contrôler	o					57	
	Nettoyer			o (1)			58	
	Remplacer					o (*)	57	
Bougie d'allumage	Contrôler-régler				o		59	
	Remplacer					o	59	
Pare-étincelles	Nettoyer				o		61	
Jeu aux soupapes	Contrôler-régler					o (2)	—	
Chambre de combustion	Nettoyer	Toutes les 1 000 h (2)						—
Réservoir de carburant	Nettoyer	Tous les 2 ans ou 1 000 h (2)						—
Filtre à carburant	Remplacer	Tous les 2 ans ou 1 000 h (2) (4)						—
Tuyau de carburant	Contrôler	Tous les 2 ans (remplacer si nécessaire) (2) (4)						—

REMARQUE :

(*) Remplacer l'élément en papier seulement.

(1) Faire un entretien plus fréquent en cas d'utilisation dans un milieu poussiéreux.

(2) Confier l'entretien de ces points au concessionnaire réparateur à moins de disposer des outils appropriés et d'avoir les compétences requises en mécanique. Pour les procédures d'entretien, voir le manuel d'atelier Honda.

(3) Pour une utilisation commerciale, consigner le nombre d'heures de fonctionnement afin de déterminer la périodicité d'entretien appropriée.

(4) Si une fissure ou une déchirure est constatée sur la rondelle du filtre à carburant ou la rondelle du régulateur de régime, remplacer la pièce par une neuve.

Ce groupe électrogène est équipé d'un convertisseur catalytique. Si le moteur n'est pas correctement entretenu, le catalyseur du pot d'échappement peut perdre son efficacité.

ENTRETIEN DU GROUPE ELECTROGENE

REPLISSAGE EN CARBURANT

Moteur arrêté, vérifier la jauge de niveau de carburant. Si le niveau de carburant est bas, remplir le réservoir de carburant.

ATTENTION

L'essence est hautement inflammable et explosive.

La manipulation du carburant fait courir des risques de brûlures et d'accidents graves.

- Arrêter le moteur et ne pas approcher de sources de chaleur, étincelles ou flammes.
- Ne manipuler le carburant qu'à l'extérieur.
- Essuyer immédiatement tout déversement.

REMARQUE

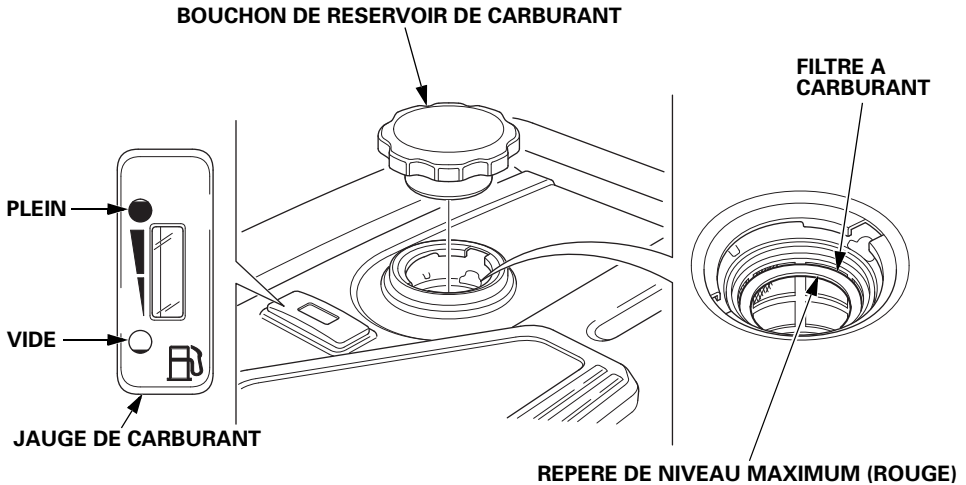
Le carburant peut endommager la peinture et le plastique. Veiller à ne pas renverser de carburant lorsqu'on remplit le réservoir. Les dommages causés par du carburant renversé ne sont pas couverts par la garantie.

Faire le plein de carburant dans un endroit bien aéré avant de mettre le moteur en marche. Si le moteur vient de tourner, le laisser refroidir. Faire le plein avec précautions pour éviter de renverser du carburant. Ne pas remplir le réservoir de carburant au-dessus du repère de niveau maximum de carburant (rouge) sur le filtre à carburant.

Ne jamais faire le plein à l'intérieur d'un bâtiment où des vapeurs d'essence pourraient atteindre des flammes ou des étincelles. Garder l'essence loin des veilleuses des appareils, barbecues, appareils électriques, outils électriques, etc.

Le carburant renversé ne fait pas seulement courir des risques d'incendie; il est également nuisible pour l'environnement. Essuyer immédiatement tout déversement.

ENTRETIEN DU GROUPE ELECTROGENE



Après avoir fait le plein, refermer correctement le bouchon du réservoir de carburant.

RECOMMANDATIONS POUR LE CARBURANT

Ce moteur est certifié pour fonctionner avec de l'essence sans plomb ayant un indice d'octane recherche d'au moins 89.

Utiliser uniquement de l'essence sans plomb, sans quoi le catalyseur risque de perdre son efficacité, ce qui aurait un effet négatif sur les émissions de l'échappement.

Ne jamais utiliser de l'essence viciée ou contaminée ou un mélange d'huile/essence. Eviter toute pénétration de saleté ou d'eau dans le réservoir de carburant.

On peut utiliser une essence sans plomb classique ne contenant pas plus de 10 % d'éthanol (E10) ou 5 % de méthanol en volume. Le méthanol doit contenir des cosolvants et des inhibiteurs de corrosion.

L'utilisation de carburants ayant une teneur en éthanol ou méthanol supérieure à celle indiquée ci-dessus peut occasionner des problèmes de démarrage et/ou performances. Elle peut également endommager les pièces métalliques, en caoutchouc et en plastique du système d'alimentation en carburant.

Les dommages au moteur ou problèmes de performance résultant de l'utilisation d'un carburant avec des pourcentages d'éthanol ou méthanol supérieurs à ceux qui sont indiqués ci-dessus ou de l'essence au plomb ne sont pas couverts par la garantie.

Si l'on ne compte utiliser l'équipement qu'occasionnellement, consulter la rubrique sur le carburant du chapitre *REMISAGE* (page 67), qui fournit des informations complémentaires sur la dégradation du carburant.

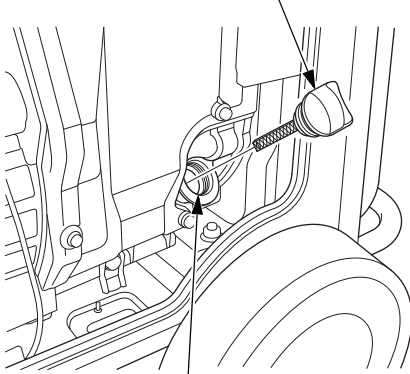
ENTRETIEN DU GROUPE ELECTROGENE

CONTROLE DU NIVEAU D'HUILE MOTEUR

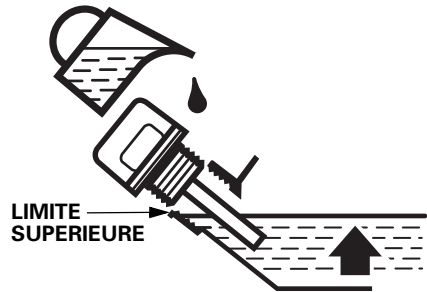
Vérifier le niveau d'huile moteur avec le groupe électrogène sur une surface horizontale, moteur arrêté.

1. Ouvrir le couvercle de visite droit en tournant son loquet dans le sens inverse des aiguilles d'une montre.
2. Déposer le bouchon de remplissage d'huile.
3. Contrôler le niveau d'huile. Si le niveau est inférieur à la limite supérieure, faire l'appoint avec l'huile recommandée (voir page 56) jusqu'à la limite supérieure du goulot de remplissage d'huile.
4. Reposer et serrer fermement le bouchon de remplissage d'huile.
5. Fermer le couvercle de visite droit en tournant son loquet dans le sens des aiguilles d'une montre.

BOUCHON DE REMPLISSAGE D'HUILE



GOULOT DE REMPLISSAGE D'HUILE



Le système Oil Alert arrête automatiquement le moteur avant que le niveau d'huile ne descende au-dessous du seuil de sécurité. Toutefois, pour éviter l'inconvénient d'un arrêt imprévu, vérifier le niveau d'huile régulièrement.

ENTRETIEN DU GROUPE ELECTROGENE

VIDANGE DE L'HUILE MOTEUR

Vidanger l'huile tandis que le moteur est chaud afin d'assurer une vidange rapide et complète.

1. Ouvrir le couvercle de visite droit en tournant son loquet dans le sens inverse des aiguilles d'une montre.
2. Au-dessous du groupe électrogène, retirer l'opercule en caoutchouc noir situé sous le bouchon de vidange d'huile.
3. Placer un récipient approprié sous le groupe électrogène pour recueillir l'huile usagée.
4. Déposer le bouchon de remplissage d'huile.
5. Retirer le bouchon de vidange d'huile et la rondelle d'étanchéité et laisser l'huile se vidanger entièrement.
6. Remettre le bouchon de vidange d'huile avec une rondelle d'étanchéité neuve. Serrer le bouchon à fond.
7. Sous le groupe électrogène, reposer l'opercule en caoutchouc noir.

REMARQUE

Une mise au rebut impropre de l'huile moteur peut être nocive pour l'environnement.

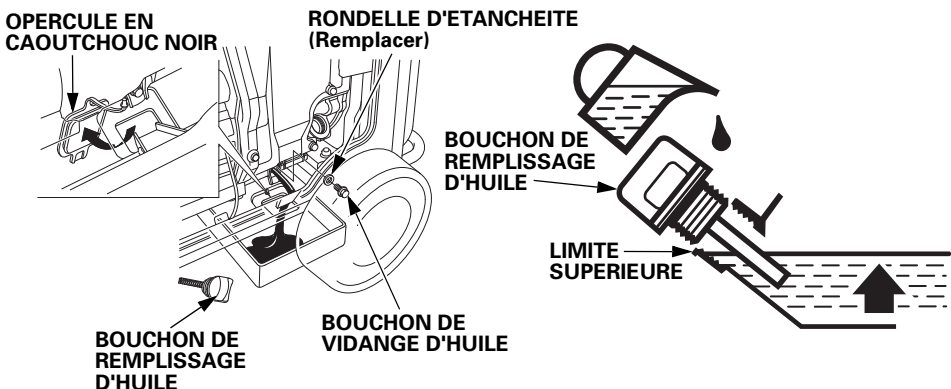
Si l'on fait soi-même la vidange d'huile, se débarrasser correctement de l'huile usagée. La placer dans un récipient fermé et la porter à un point de récupération. Ne pas la jeter aux ordures et ne pas la déverser au sol ou dans un égout.

8. Groupe électrogène à l'horizontale, remplir d'huile recommandée (voir page 56) jusqu'à la limite supérieure du goulot de remplissage d'huile.

Contenance maximale en huile : 1,1 L

9. Reposer et serrer fermement le bouchon de remplissage d'huile.
10. Fermer le couvercle de visite droit en tournant son loquet dans le sens des aiguilles d'une montre.

Se laver les mains avec de l'eau et du savon après avoir manipulé l'huile usagée.



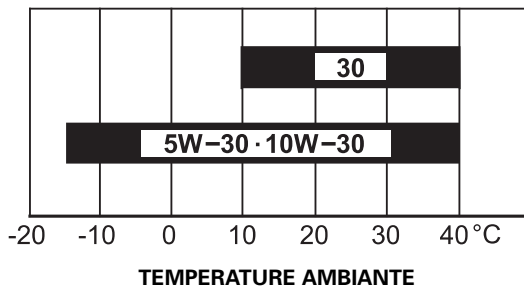
ENTRETIEN DU GROUPE ELECTROGENE

RECOMMANDATIONS POUR L'HUILE MOTEUR

L'huile est un facteur déterminant pour les performances et la longévité du moteur.

Utiliser une huile moteur 4 temps répondant au minimum aux prescriptions pour la catégorie de service API SE ou ultérieure (ou équivalente). Toujours vérifier l'étiquette de SERVICE API sur le bidon d'huile pour s'assurer qu'elle porte bien la mention SE ou ultérieure (ou équivalente).

L'indice SAE 10W-30 est préconisé pour un usage général. Les autres viscosités indiquées dans le tableau peuvent être utilisées lorsque la température moyenne du lieu d'utilisation se trouve dans la plage recommandée.

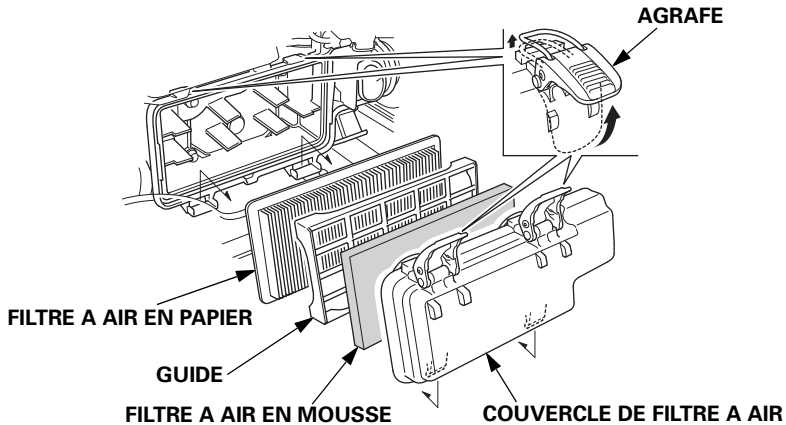


Avant l'utilisation, lire attentivement les instructions figurant sur le bidon d'huile.

ENTRETIEN DU GROUPE ELECTROGENE

ENTRETIEN DU FILTRE A AIR

1. Ouvrir le couvercle de visite gauche en tournant son loquet dans le sens inverse des aiguilles d'une montre.
2. Défaire les agrafes du couvercle de filtre à air; retirer le couvercle de filtre à air.



3. Filtre à air en mousse :
 - a. Déposer le filtre à air en mousse du couvercle de filtre à air.
 - b. S'assurer que le filtre à air en mousse est propre et en bon état.
Si le filtre à air en mousse est sale, le nettoyer comme il est indiqué à la page 58.
Si le filtre à air en mousse est endommagé, le remplacer.
 - c. Reposer le filtre à air en mousse dans le couvercle de filtre à air.
4. Filtre à air en papier :
 - a. Déposer le guide.
 - b. Si le filtre à air en papier est sale, le remplacer par un neuf.
Ne pas nettoyer le filtre à air en papier.
5. Reposer le guide et le couvercle de filtre à air.
6. Fermer le couvercle de visite gauche.

REMARQUE

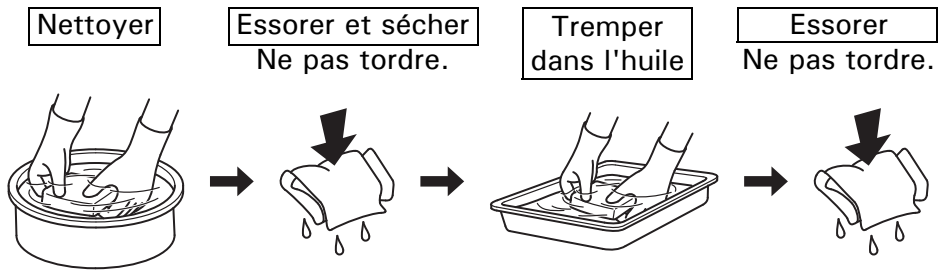
Faire fonctionner le moteur sans filtres à air ou avec des filtres à air abîmés risque d'encrasser le moteur et de provoquer l'usure rapide de ce dernier.

ENTRETIEN DU GROUPE ELECTROGENE

NETTOYAGE DU FILTRE A AIR EN MOUSSE

Un filtre à air en mousse encrassé restreindra le passage d'air vers le système de carburant, ce qui diminuera les performances du moteur. Si l'on utilise le groupe électrogène dans des endroits très poussiéreux, nettoyer le filtre à air en mousse plus fréquemment qu'il n'est spécifié dans le programme d'entretien.

1. Nettoyer le filtre à air en mousse dans de l'eau savonneuse chaude, le rincer et le laisser sécher complètement ou le nettoyer dans un solvant ininflammable et le laisser sécher.
2. Tremper le filtre à air en mousse dans de l'huile moteur propre, puis en éliminer l'huile en excès. S'il reste trop d'huile dans le filtre à air en mousse, le moteur fumera au démarrage.



3. Essuyer la saleté à l'intérieur du couvercle de filtre à air à l'aide d'un chiffon humide. Veiller à ce que la saleté ne pénètre pas dans le conduit d'air menant au système de carburant.

ENTRETIEN DU GROUPE ELECTROGENE

ENTRETIEN DE LA BOUGIE D'ALLUMAGE

Bougies d'allumage recommandées : BPR6ES (NGK)

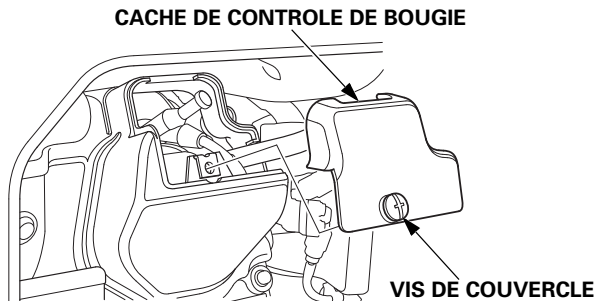
Pour assurer un bon fonctionnement du moteur, l'écartement des électrodes de la bougie doit être correct et la bougie d'allumage ne doit pas être encrassée.

REMARQUE

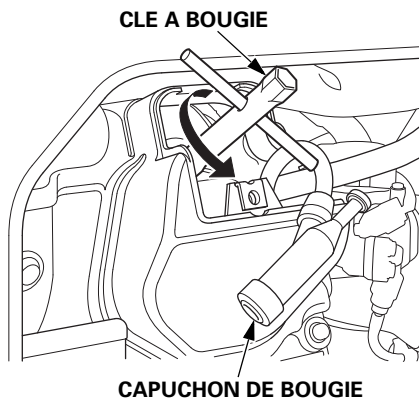
Une bougie incorrecte peut provoquer des dommages au moteur.

Si le moteur est chaud, le laisser se refroidir avant toute intervention sur la bougie.

1. Ouvrir le couvercle de visite gauche en tournant son loquet dans le sens inverse des aiguilles d'une montre.
2. Desserrer la vis de couvercle et déposer le cache de contrôle de bougie d'allumage.



3. Déconnecter le capuchon de bougie et nettoyer toute saleté autour de la bougie.
4. Utiliser une clé à bougie pour déposer la bougie d'allumage.

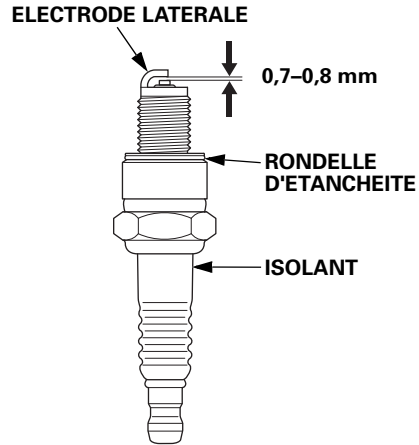


ENTRETIEN DU GROUPE ELECTROGENE

5. Contrôler la bougie. La remplacer si ses électrodes sont usées ou encrassées ou si l'isolant est fendillé ou écaillé.

6. Mesurer l'écartement des électrodes avec un calibre d'épaisseur à fils. Si nécessaire, le corriger en pliant avec précaution l'électrode latérale.

L'écartement des électrodes doit être de : 0,7–0,8 mm



7. S'assurer que la rondelle d'étanchéité de la bougie est en bon état et visser la bougie à la main pour ne pas risquer de foirer son filetage.

8. Une fois que la bougie d'allumage est en appui, la serrer à l'aide d'une clé à bougie afin de comprimer la rondelle.

En cas de réinstallation d'une bougie usagée, serrer de 1/8 à 1/4 de tour après que la bougie a touché son siège.

En cas d'installation d'une bougie neuve, serrer de 1/2 tour après que la bougie a touché son siège.

REMARQUE

Une bougie insuffisamment serrée peut surchauffer et endommager le moteur.

Un serrage excessif de la bougie peut endommager le filetage dans la culasse.

9. Fixer le capuchon de bougie d'allumage.

10. Reposer le cache de contrôle de bougie et resserrer la vis de couvercle.

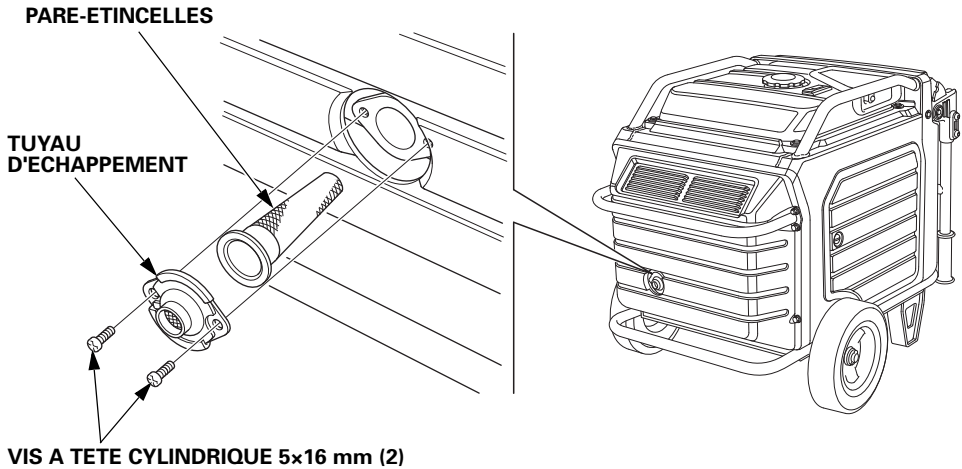
11. Fermer le couvercle de visite gauche.

ENTRETIEN DU GROUPE ELECTROGENE

ENTRETIEN DU PARE-ETINCELLES

Si le moteur vient de tourner, le silencieux sera très chaud. Laisser le silencieux refroidir avant de nettoyer le pare-étincelles.

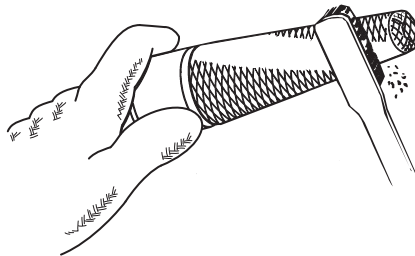
1. Retirer les deux vis à tête cylindrique 5 × 16 mm et déposer le tuyau d'échappement et le pare-étincelles.



2. Utiliser une brosse pour enlever la calamine de l'écran du pare-étincelles.

Veiller à ne pas endommager l'écran.

Le pare-étincelles ne doit pas être cassé ou déchiré. Remplacer le pare-étincelles s'il est endommagé.



3. Poser le pare-étincelles dans l'ordre inverse de la dépose.

ENTRETIEN DU GROUPE ELECTROGENE

ENTRETIEN DE LA BATTERIE

Le système de charge du moteur du groupe électrogène recharge la batterie lorsque le moteur fonctionne. Cependant, si le groupe électrogène n'est utilisé que périodiquement, la batterie doit être rechargée une fois par mois pour que sa durée de vie utile soit maintenue.

⚠ ATTENTION

La batterie contient de l'acide sulfurique (électrolyte) qui est une substance très corrosive et toxique. Le contact de l'électrolyte avec les yeux ou la peau peut provoquer de graves brûlures.

Porter des vêtements de protection et se protéger les yeux lorsque l'on travaille près de la batterie.

GARDER LES ENFANTS ELOIGNES DE LA BATTERIE.

Procédures d'urgence

Yeux – rincer à l'eau avec une tasse ou un autre récipient pendant quinze minutes au moins. (De l'eau sous pression peut provoquer des dommages oculaires.)

Appeler immédiatement un médecin.

Peau – enlever les vêtements souillés. Rincer la peau à grande eau. Appeler immédiatement un médecin.

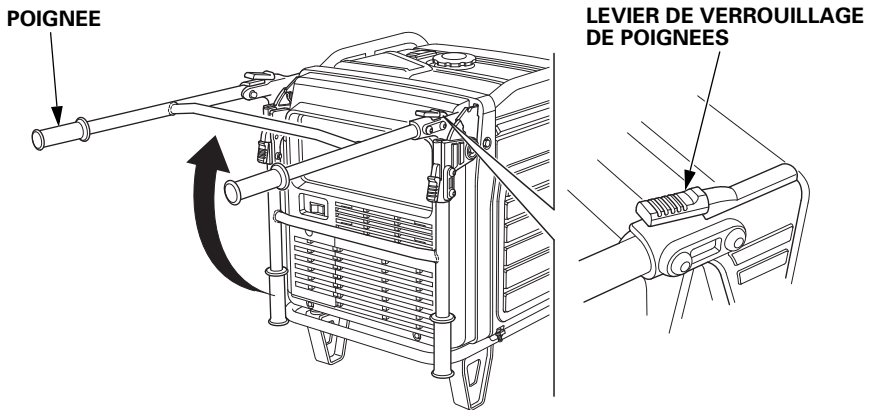
Absorption – boire de l'eau ou du lait. Appeler immédiatement un médecin.

ENTRETIEN DU GROUPE ELECTROGENE

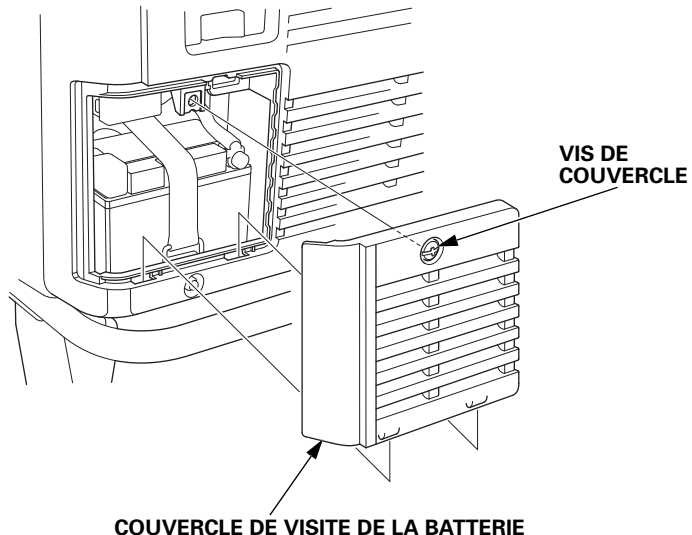
Dépose de la batterie

Les bornes, cosses et accessoires connexes de la batterie contiennent du plomb et des composés de plomb. Se laver les mains après les avoir manipulés.

1. Soulever les poignées. Les leviers de verrouillage verrouillent et immobilisent les poignées.

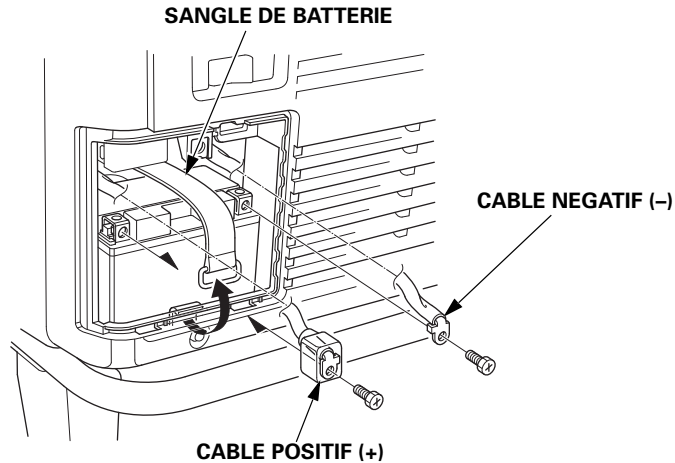


2. Desserrer la vis du couvercle de visite de la batterie et déposer le couvercle.



ENTRETIEN DU GROUPE ELECTROGENE

3. Débrancher le câble négatif (-) de la borne négative (-) de la batterie, puis débrancher le câble positif (+) de la borne positive (+) de la batterie.
4. Décrocher la sangle de batterie du crochet inférieur du groupe électrogène.



5. Déposer la batterie.



Ce symbole sur la batterie signifie que ce produit ne peut pas être traité comme ordure ménagère.

Une mise au rebut inappropriée de la batterie peut être néfaste pour l'environnement et la santé publique.

Toujours respecter la réglementation locale en vigueur pour la mise au rebut des batteries.

ENTRETIEN DU GROUPE ELECTROGENE

Charge de la batterie

⚠ ATTENTION

La batterie dégage de l'hydrogène explosif pendant le fonctionnement normal.

Une étincelle ou une flamme peut faire exploser la batterie avec une force suffisante pour tuer ou blesser grièvement.

Porter des vêtements de protection et un écran facial ou confier l'entretien de la batterie à un mécanicien qualifié.

La batterie a une capacité nominale de 11,2 Ah (ampères-heures). Le courant de charge doit être égal à 10 % de la capacité nominale en ampères-heures de la batterie. Le chargeur de batterie utilisé doit pouvoir être réglé pour produire 1,1 ampère.

1. Raccorder le chargeur de batterie en suivant les instructions du fabricant.
2. Charger la batterie pendant 5 à 10 heures.
3. Nettoyer l'extérieur de la batterie et le compartiment de batterie avec une solution de bicarbonate de sodium et d'eau.

Pose de la batterie

1. Poser la batterie dans le groupe électrogène.
2. Brancher d'abord le câble positif (+) de la batterie à la borne positive (+) de la batterie et serrer fermement la vis.
3. Glisser le soufflet de batterie sur la borne et le câble positif (+).
4. Brancher le câble négatif (-) de la batterie à la borne négative (-) de la batterie et serrer fermement la vis.
5. Reposer la sangle de batterie.
6. Poser le couvercle de visite de la batterie dans l'ordre inverse de la dépose (voir page 63).
Ne jamais faire fonctionner le groupe électrogène alors que le couvercle de visite de la batterie est ouvert car ceci affecterait les performances du moteur et du groupe électrogène.

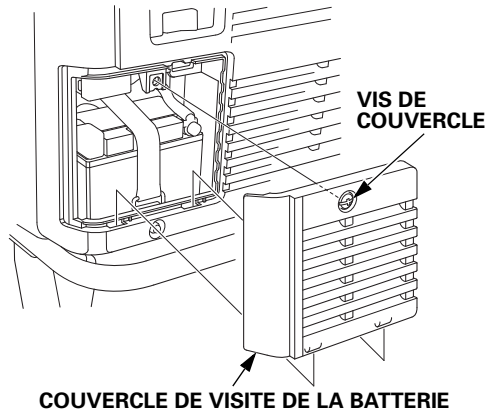
ENTRETIEN DU GROUPE ELECTROGENE

FUSIBLE

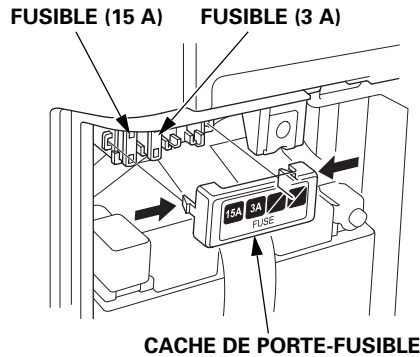
Si le fusible saute, le démarreur ne fonctionnera pas.

En cas de défaillance du fusible, rechercher la cause et la réparer avant de reprendre l'utilisation. Si le fusible saute à nouveau, cesser d'utiliser le groupe électrogène et consulter un concessionnaire réparateur.

1. Avant de vérifier ou de remplacer le fusible, placer le commutateur PRINCIPAL sur la position ARRET et retirer la clé.
2. Desserrer la vis du couvercle de visite de la batterie et déposer le couvercle.



3. Retirer le cache de porte-fusible et sortir le fusible.
4. Remplacer le fusible par un fusible de même type et de même ampérage.
Fusible recommandé : 3 A, 15 A



REMARQUE

Ne jamais utiliser un fusible de calibre différent de celui qui est prescrit. Ceci pourrait causer d'importants dommages au système électrique ou un incendie.

5. Poser le cache de porte-fusible et le couvercle de visite de la batterie dans l'ordre inverse de la dépose (voir page 63).
Ne jamais faire fonctionner le groupe électrogène alors que le couvercle de visite de la batterie est ouvert car ceci affecterait les performances du moteur et du groupe électrogène.

REMISAGE

PREPARATION AU REMISAGE

Une préparation au remisage appropriée est essentielle pour maintenir le groupe électrogène en bon état de fonctionnement et lui conserver son bel aspect. Les opérations suivantes contribueront à empêcher que la rouille et la corrosion n'affectent le fonctionnement et l'aspect du groupe électrogène et à faciliter le démarrage du moteur lors de sa remise en service.

Nettoyage

Essuyer le groupe électrogène avec un chiffon humide. Après avoir laissé sécher le groupe électrogène, faire les retouches de peinture nécessaires et enduire toutes les parties susceptibles de rouiller d'une légère couche d'huile.

Carburant

REMARQUE

Selon la formulation de carburant du lieu d'utilisation de l'équipement, le carburant peut se dégrader et s'oxyder rapidement. La dégradation et l'oxydation du carburant peuvent se produire en seulement 30 jours et provoquer des dommages au système d'alimentation en carburant. Pour les recommandations sur le remisage local, se renseigner auprès du concessionnaire.

L'essence s'oxyde et se dégrade lors du remisage. Une essence vieille rendra le démarrage difficile et laisse des dépôts de gomme susceptibles de boucher le système d'alimentation en carburant. Si l'essence dans le groupe électrogène se dégrade pendant le remisage, une intervention sur les pièces du système d'alimentation en carburant ou leur remplacement peut être nécessaire.

La durée pendant laquelle on peut laisser l'essence dans le réservoir de carburant sans que ceci ne cause de problèmes de fonctionnement dépend de facteurs tels que la composition de l'essence ou les températures de stockage et le remplissage partiel ou total du réservoir de carburant. L'air dans un réservoir de carburant partiellement rempli favorise la dégradation du carburant. Des températures de stockage très élevées accélèrent la détérioration du carburant. Des problèmes de dégradation du carburant peuvent survenir après quelques mois ou même plus rapidement si l'essence utilisée pour remplir le réservoir n'était pas fraîche.

REMISAGE

Vidange du réservoir de carburant

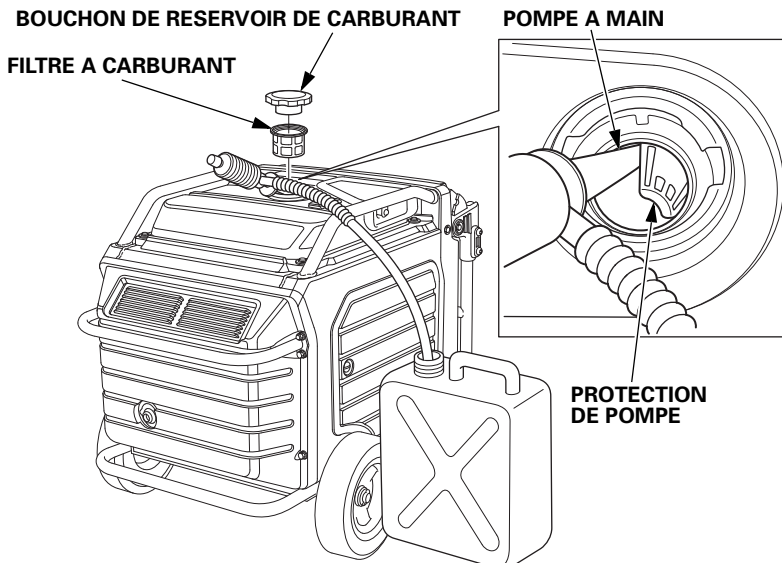
⚠ ATTENTION

L'essence est hautement inflammable et explosive.

La manipulation du carburant fait courir des risques de brûlures et d'accidents graves.

- Arrêter le moteur et ne pas approcher de sources de chaleur, étincelles ou flammes.
- Ne manipuler le carburant qu'à l'extérieur.
- Essuyer immédiatement tout déversement.

Dévisser le bouchon de réservoir de carburant, retirer le filtre à carburant et vider le contenu du réservoir dans un récipient homologué pour le stockage de l'essence. Nous recommandons d'utiliser une pompe à essence à main en vente dans le commerce pour vider le réservoir. Ne pas utiliser de pompe électrique. Siphonner l'essence en insérant l'embout de la pompe à main sur le côté de la protection de pompe. Reposer le filtre à carburant et le bouchon du réservoir de carburant.



Huile moteur

1. Changer l'huile moteur (voir page 55).
2. Déposer la bougie d'allumage (voir page 59).
3. Verser une cuillère à café (5 cm³) d'huile moteur propre dans le cylindre.
4. Tirer la corde de lancement à plusieurs reprises pour distribuer l'huile dans le cylindre.
5. Reposer la bougie d'allumage (voir page 60).
6. Tirer lentement sur la poignée de lancement jusqu'à ce qu'une résistance soit perceptible. A ce moment-là, le piston se trouve sur sa course de compression et les soupapes d'admission et d'échappement sont toutes deux fermées. Le fait de remiser le moteur dans cet état contribue à le protéger contre la corrosion interne. Ramener doucement la poignée de lancement en arrière.

Batterie

Charger la batterie avant de ranger le groupe électrogène (voir page 65).

REMISAGE

PRECAUTIONS DE REMISAGE

Si l'on remise le groupe électrogène avec de l'essence dans le réservoir de carburant, il est important de réduire les risques d'inflammation des vapeurs d'essence.

Choisir une zone de remisage bien aérée loin de tout appareil à flamme tel que fourneau, chauffe-eau ou séchoir à linge. Eviter également tout endroit où un moteur électrique produisant des étincelles ou des outils électriques sont utilisés.

Eviter dans la mesure du possible des zones de remisage très humides car ceci favorise la rouille et la corrosion.

Placer le groupe électrogène sur une surface horizontale. Une inclinaison peut provoquer des fuites de carburant ou d'huile.

Alors que le moteur et le système d'échappement sont froids, couvrir le groupe électrogène pour le protéger contre la poussière. Un moteur ou un système d'échappement chauds peuvent enflammer ou faire fondre certaines matières.

Ne pas utiliser une feuille en plastique pour la protection contre la poussière. Une bâche non poreuse emprisonne l'humidité autour du groupe électrogène et favorise la rouille et la corrosion.

Charger entièrement la batterie. Une fois par mois, recharger la batterie (voir page 65).

FIN DU REMISAGE

Vérifier le groupe électrogène comme il est indiqué au chapitre *AVANT L'UTILISATION* de ce manuel (voir page 29).

Si le groupe électrogène a été remisé depuis 1 an ou plus, vidanger le réservoir de carburant (voir page 68) et faire le plein avec de l'essence fraîche. Si l'on garde un bidon d'essence pour le ravitaillement, veiller à ce qu'il ne contienne que de l'essence fraîche. L'essence s'oxyde et se dégrade avec le temps, ce qui rend le démarrage difficile.

Si le cylindre a été enduit d'huile lors de la préparation au remisage, le moteur peut fumer brièvement au démarrage. Ceci est normal.

TRANSPORT

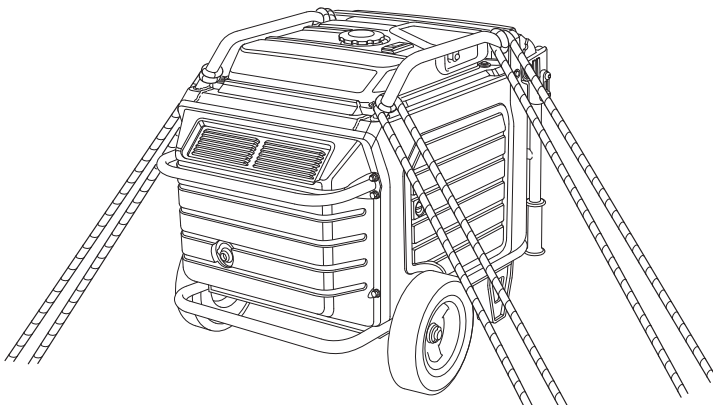
Si le groupe électrogène vient de fonctionner, laisser son moteur refroidir pendant au moins 15 minutes avant de le charger sur le véhicule de transport. Un moteur ou un système d'échappement chauds peuvent provoquer des brûlures et enflammer certaines matières.

Garder le groupe électrogène à l'horizontale lors du transport pour réduire les risques de fuites de carburant.

Lorsque l'on utilise des cordes ou sangles d'arrimage pour fixer le groupe électrogène pour le transport, veiller à n'utiliser que les barres du châssis comme points de fixation. Ne pas les attacher à une partie du corps du groupe électrogène ou aux poignées rabattables.

Transport du groupe électrogène :

- Mettre le commutateur sur la position **ARRET**.
- Ne pas faire fonctionner le groupe électrogène lorsqu'il se trouve sur un véhicule. Descendre le groupe électrogène du véhicule et l'utiliser dans un endroit bien aéré.
- Eviter un endroit exposé aux rayons directs du soleil en mettant le groupe électrogène sur un véhicule. Si le groupe électrogène est laissé pendant de nombreuses heures dans un véhicule fermé, la température élevée à l'intérieur du véhicule peut faire se vaporiser l'essence, entraînant une possible explosion.
- Ne pas conduire sur une route accidentée pendant une période prolongée avec le groupe électrogène à bord. Si vous devez transporter le groupe électrogène sur une route accidentée, vidanger à l'avance l'essence du groupe électrogène.

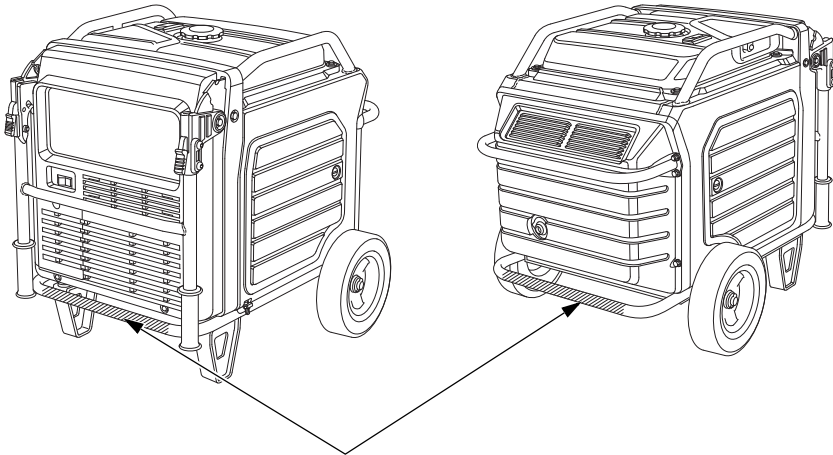


TRANSPORT

- Accrocher un palan à l'anse de suspension (pièce en option) du groupe électrogène pour le soulever pour le transport.
- Pour soulever le groupe électrogène manuellement avec des assistants, ne pas l'attraper par ses poignées ou sa barre arrière. Soulever le groupe électrogène en le tenant par la partie de maintien (parties grisées sur la figure ci-dessous).

Conformément à la NORME EUROPEENNE EN 12601 : 2010

Il faut 4 personnes pour transporter ce groupe électrogène qui pèse environ 140 kg.



PARTIE DE MAINTIEN

EN CAS DE PROBLEME INATTENDU

LE MOTEUR NE DEMARRE PAS

Cause possible	Remède
Le commutateur PRINCIPAL est en position ARRET.	Placer le commutateur PRINCIPAL sur la position MARCHE (voir page 34).
Absence de carburant.	Faire le plein (voir page 52).
Carburant de mauvaise qualité, groupe électrogène remisé sans vidanger l'essence, ou remplissage avec une essence de mauvaise qualité.	Vidanger le réservoir de carburant (voir page 68). Faire le plein avec de l'essence fraîche (voir page 52).
Du fait d'un niveau d'huile insuffisant, le système Oil Alert a arrêté le moteur.	Mettre le commutateur PRINCIPAL sur la position ARRET. Faire l'appoint en huile moteur. Ensuite, placer le commutateur PRINCIPAL en position MARCHE et redémarrer le moteur.
Bougie noyée par le carburant (moteur noyé).	<ul style="list-style-type: none">• Placer le commutateur PRINCIPAL sur la position ARRET et tirer vivement la poignée de lancement à cinq reprises ou plus. Ceci peut sécher la bougie d'allumage.• Si le moteur ne démarre toujours pas, déposer et sécher la bougie d'allumage.
Bougie défectueuse, encrassée ou mauvais écartement des électrodes.	Régler l'écartement ou remplacer la bougie (voir page 59). Reposer la bougie d'allumage.
Filtre à carburant colmaté, dysfonctionnement du système d'alimentation en carburant, défaillance de la pompe à carburant, dysfonctionnement de l'allumage, soupapes gommées, etc.	Apporter le groupe électrogène chez un concessionnaire réparateur ou se reporter au manuel d'atelier.

EN CAS DE PROBLEME INATTENDU

LE MOTEUR MANQUE DE PUISSANCE

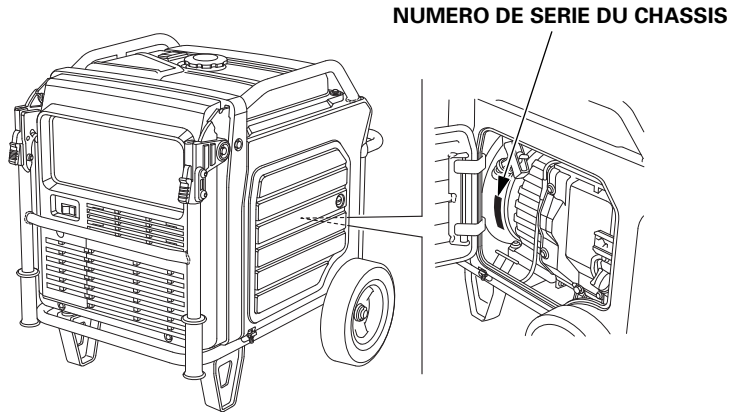
Cause possible	Remède
Filtre à air colmaté.	Nettoyer ou remplacer le filtre à air (voir page 57).
Carburant de mauvaise qualité, groupe électrogène remis sans traiter ou vidanger l'essence, ou remplissage avec une essence de mauvaise qualité.	Vidanger le réservoir de carburant (voir page 68). Faire le plein avec de l'essence fraîche (voir page 52).
Filtre à carburant colmaté, dysfonctionnement du système d'alimentation en carburant, défaillance de la pompe à carburant, dysfonctionnement de l'allumage, soupapes gommées, etc.	Apporter le groupe électrogène chez un concessionnaire réparateur ou se reporter au manuel d'atelier.

PAS DE COURANT AUX PRISES CA

Cause possible	Remède
Témoin SORTIE éteint, témoin ALARME DE SURCHARGE allumé.	Vérifier la charge CA. Arrêter et redémarrer le moteur.
	Vérifier l'entrée d'air de refroidissement. Arrêter et redémarrer le moteur.
Protecteur(s) de circuit CA déclenché(s).	Vérifier la charge CA et réenclencher le(s) protecteur(s) de circuit (voir page 18).
Appareil ou outil électrique défectueux.	Remplacer ou réparer l'outil ou l'appareil électrique. Arrêter et redémarrer le moteur.
Groupe électrogène défectueux.	Apporter le groupe électrogène chez un concessionnaire réparateur ou se reporter au manuel d'atelier.

INFORMATIONS TECHNIQUES

Emplacement des numéros de série



Noter dans les espaces ci-dessous le numéro de série du châssis ainsi que la date d'achat. Ces informations seront nécessaires pour la commande de pièces et les demandes de renseignements techniques ou de garantie.

Numéro de série du châssis : _____

Date d'achat : _____

INFORMATIONS TECHNIQUES

Caractéristiques techniques

Dimensions

Modèle	EU70is
Code de description	EEJD
Longueur [poignées en position relevée]	848 mm [1 198 mm]
Largeur	700 mm
Hauteur	721 mm
Masse à sec [poids] *	118,1 kg

* Avec batterie

Moteur

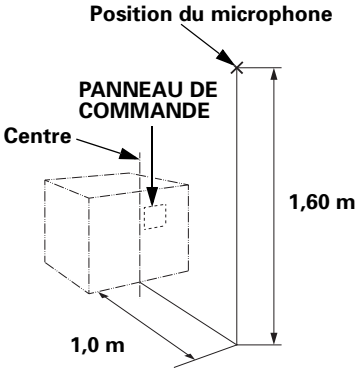
Modèle	GX390
Type de moteur	Monocylindre 4 temps à soupapes en tête
Cylindrée [alésage × course]	389 cm ³ [88 × 64 mm]
Taux de compression	8,2:1
Régime moteur	2 400–3 600 tr/min < avec interrupteur Eco-Throttle en position MARCHÉ >
Refroidissement	Forcé par circulation d'air
Allumage	Allumage entièrement transistorisé
Contenance en huile moteur	1,1 L
Contenance du réservoir de carburant	19,2 L
Bougie d'allumage	BPR6ES (NGK)
Batterie	12 V 11,2 Ah/10 HR

Génératrice

Modèle		EU70is
Type		G, GW, F, IT
Sortie CA	Tension nominale	230 V
	Fréquence nominale	50 Hz
	Intensité nominale (ampérage nominal)	23,9 A
	Puissance nominale	5,5 kVA
	Puissance maximum	7,0 kVA

INFORMATIONS TECHNIQUES

Bruit

Modèle	EU70is
Type	G, GW, F, IT
Niveau de pression acoustique au poste de travail (2006/42/CE)	76 dB (A) (avec interrupteur Eco-Throttle en position MARCHÉ)
 <p>Position du microphone</p> <p>PANNEAU DE COMMANDE</p> <p>Centre</p> <p>1,0 m</p> <p>1,60 m</p>	
Incertitude	2 dB (A)
Niveau de puissance acoustique mesuré (2000/14/CE, 2005/88/CE)	88 dB (A) (avec interrupteur Eco-Throttle en position MARCHÉ)
Incertitude	2 dB (A)
Niveau de puissance acoustique garanti (2000/14/CE, 2005/88/CE)	90 dB (A) (avec interrupteur Eco-Throttle en position MARCHÉ)

"Les chiffres cités sont des niveaux d'émission et ne correspondent pas nécessairement à des niveaux sûrs pour le travail. Bien qu'une corrélation existe entre les niveaux d'émission et d'exposition, ceci ne peut pas être utilisé de manière fiable pour déterminer s'il convient ou non de prendre des précautions supplémentaires. Parmi les facteurs ayant une incidence sur le niveau réel d'exposition de la main-d'œuvre, on compte les caractéristiques du local de travail, les autres sources de bruit, etc. et notamment le nombre de machines et autres opérations voisines et la durée d'exposition au bruit de l'utilisateur. Il faut également noter que le niveau d'exposition autorisé diffère selon les pays. Ces informations permettront toutefois à l'utilisateur de la machine de mieux évaluer les dangers et risques."

Les caractéristiques techniques peuvent varier selon le type et sont susceptibles d'être modifiées sans préavis.

INFORMATIONS TECHNIQUES

Schéma de câblage

(Voir à l'intérieur de la couverture arrière)

Abréviations

Symbole	Désignation
ACCP	Protecteur de circuit CA
ACOR	Prise de sortie CA
Bat	Batterie
CPB	Bloc panneau de commande
CSw	Commutateur combiné
EcoSw	Interrupteur Eco Throttle
EgB	Bloc moteur
FrB	Bloc châssis
FP	Pompe à carburant
FuB	Boîte à fusibles
GeB	Bloc génératrice
GCU	Module de commande de génératrice
GND	Masse
GT	Borne de masse
IgC	Bobine d'allumage
IgPG	Générateur d'impulsions d'allumage
In	Injecteur
IU	Onduleur
IUB	Bloc onduleur
LED	LED
MSw	Commutateur PRINCIPAL
MW	Enroulement principal
NF	Filtre antiparasite
OLSw	Contacteur de niveau d'huile
O2Se	Capteur d'O2
PC	Ordinateur personnel
POR	Prise pour fonctionnement en parallèle
Rc	Commande à distance
RCB	Bloc de commande à distance
Rc (OP)	Commande à distance (option)
SP	Bougie d'allumage
StM	Démarrreur
StSw	Contacteur de démarrage
SW	Enroulement secondaire
TCM	Moteur de commande des gaz
ThSe	Sonde thermique

Code couleur des fils

Bl	Noir
Br	Marron
G	Vert
Gr	Gris
Bu	Bleu
Lb	Bleu clair
Lg	Vert clair
O	Orange
P	Rose
R	Rouge
W	Blanc
Y	Jaune
V	Violet
BE	Beige

COMMUTATEUR COMBINÉ

	PRINC-IPAL 1	PRINC-IPAL 2	BAT	ACC
MARCHE	○	○	○	○
ARRET				

CONTACTEUR DE DEMARRAGE

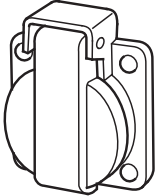
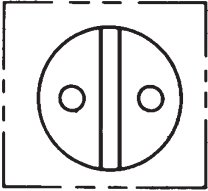
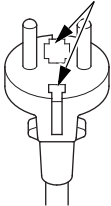
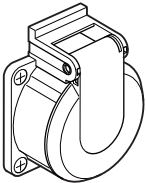
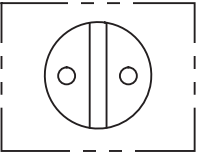
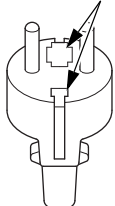
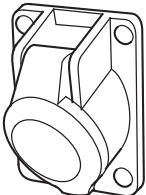
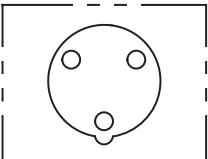
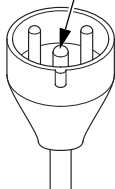
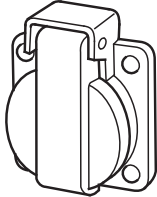
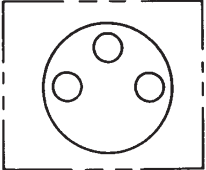
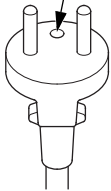
	IG	E
LIBRE	○	○
ENFONCER		

INTERRUPTEUR ECO THROTTLE

BORNE		Hz	GND	SW
ECO	MARCHE			
THROTTLE	ARRET		○	○

INFORMATIONS TECHNIQUES

Prise

Type	Forme		Fiche
G			BROCHE DE MASSE 
GW			BROCHE DE MASSE 
IT			BROCHE DE MASSE 
F			BROCHE DE MASSE 

MONTAGE

SECURITE

Importance d'un montage correct

Il est essentiel que le montage soit correctement effectué pour la sécurité de l'utilisateur et la fiabilité de la machine. Toute erreur ou négligence commise par la personne qui effectue le montage d'un groupe électrogène ou une intervention sur celui-ci peut facilement provoquer un mauvais fonctionnement, des dégâts sur la machine ou des blessures pour l'utilisateur.

ATTENTION

Un montage incorrect peut créer une situation dangereuse susceptible d'occasionner des blessures graves ou mortelles.

Observer rigoureusement les procédures et précautions indiquées dans les instructions de montage.

Certaines consignes de sécurité particulièrement importantes sont données ci-dessous. Il ne nous est toutefois pas possible de vous avertir de tous les dangers imaginables que vous pouvez courir en exécutant le montage. Vous êtes seul juge de décider si vous devez ou non effectuer un travail donné.

ATTENTION

Le non-respect de ces instructions et consignes est susceptible de causer des blessures graves voire mortelles.

Suivre attentivement les procédures et consignes figurant dans ce manuel.

Consignes importantes de sécurité

- Prendre connaissance des pratiques élémentaires de travail en atelier en toute sécurité et s'assurer de les avoir bien comprises et veiller à porter les vêtements appropriés ainsi qu'à utiliser les équipements de sécurité. Lors du montage, observer en particulier les points suivants :
 - Lire les instructions avant de commencer et s'assurer que l'on dispose de l'outillage et des compétences nécessaires pour effectuer le travail en sécurité.
- Avant de commencer un montage, un entretien ou une réparation, s'assurer que le moteur est arrêté. Ceci contribuera à éliminer plusieurs risques potentiels :
 - Empoisonnement par le monoxyde de carbone présent dans les gaz d'échappement.**
Utiliser le groupe électrogène à l'extérieur, loin de toute fenêtre ou porte ouverte.
 - Brûlures provoquées par des pièces à haute température.**
Laisser le moteur et le système d'échappement refroidir avant de les toucher.
 - Blessures par pièces mobiles.**
Ne faire tourner le moteur que si les instructions le prescrivent. Même dans ce cas, ne pas approcher les mains, les doigts et les vêtements. Ne pas faire fonctionner le moteur lorsqu'un carter de protection a été retiré.
- Pour réduire le risque d'incendie ou d'explosion, faire preuve de prudence lors de toute intervention en présence d'essence ou d'une batterie. Pour nettoyer les pièces, n'utiliser que des solvants ininflammables et non de l'essence. Ne pas approcher de cigarettes, étincelles ou flammes des pièces du système d'alimentation en carburant.

MONTAGE

MONTAGE

Déballage

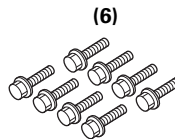
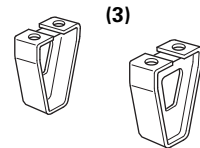
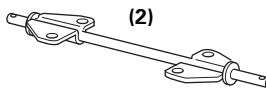
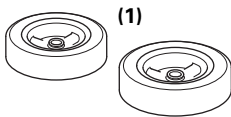
1. Retirer du carton le groupe électrogène et la boîte de pièces séparées.
2. Comparer les pièces séparées avec la liste ci-dessous.

Outils nécessaires : Clé 12 mm, clé 10 mm ou tournevis Phillips pour les connexions de la batterie, pince (non fournis)

Pièces séparées

S'assurer qu'il n'y a pas de pièces séparées manquantes à l'aide de la liste suivante.

N° de réf.	Description	Qté
1	Roue	2
2	Essieu	1
3	Support	2
4	Rondelle 20 mm	2
5	Goupille fendue 4,0 × 28 mm	2
6	Vis à embase 8 × 20 mm	8



Pose du kit de roues

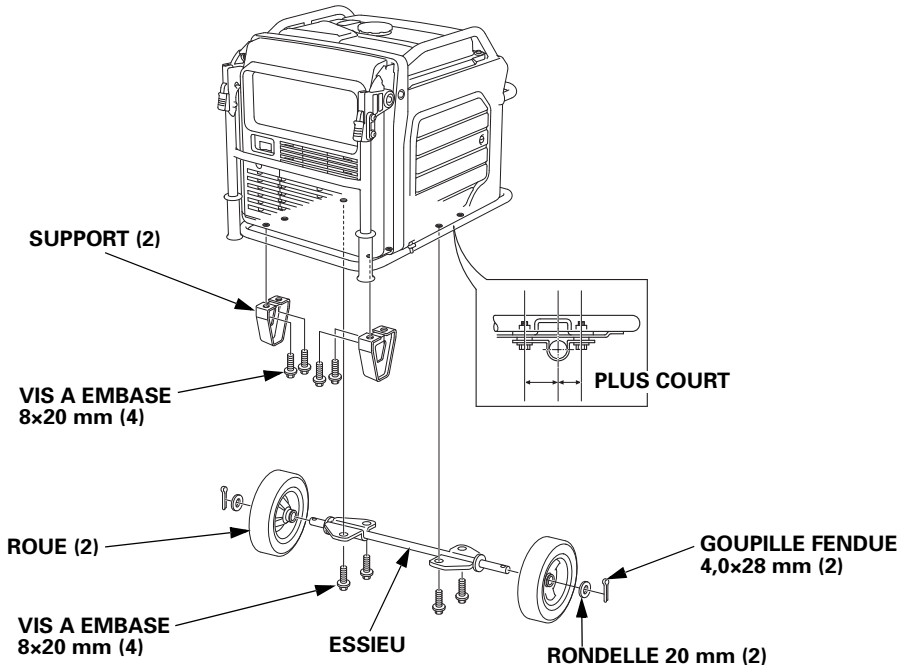
Ne pas faire fonctionner le groupe électrogène lorsque le kit de roues n'est pas installé. Le kit de roues procure un espace pour la circulation de l'air entre le sol et l'admission d'air du groupe électrogène.

REMARQUE

Si le kit de roues n'est pas installé, il se peut que de la saleté ou des débris soient aspirés dans l'admission d'air du groupe électrogène et endommagent celui-ci. Toujours faire fonctionner le groupe électrogène avec le kit de roues installé.

1. Poser les deux roues sur l'essieu à l'aide des rondelles de 20 mm et des goupilles fendues de 4,0 × 28 mm.
2. Reposer l'ensemble d'essieu sur le groupe électrogène à l'aide de quatre vis à embase de 8 × 20 mm.
3. Poser les deux supports sur le sous-châssis à l'aide de quatre vis à embase de 8 × 20 mm.

COUPLE DE SERRAGE : 15–22 N·m (1,5–2,2 kgf·m)



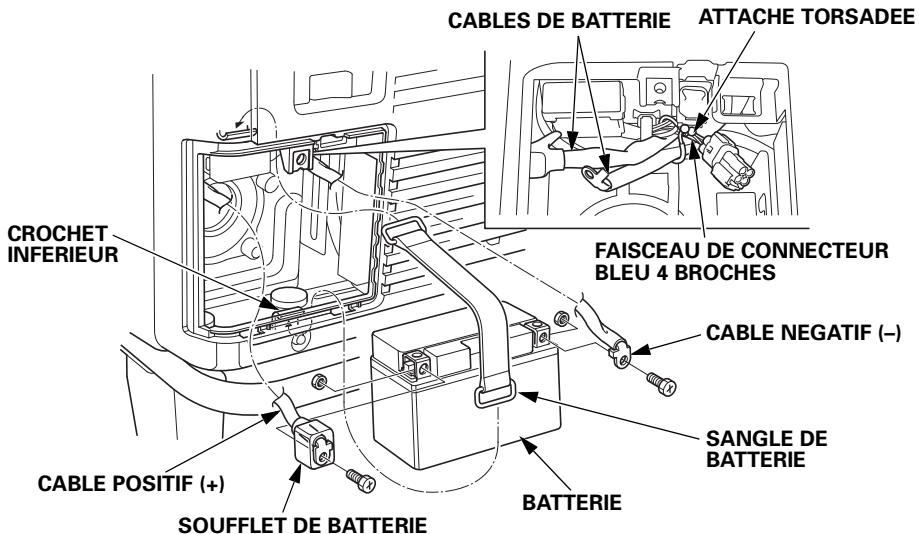
MONTAGE

Batterie

Les bornes, cosses et accessoires connexes de la batterie contiennent du plomb et des composés de plomb. Se laver les mains après les avoir manipulés.

La batterie a été débranchée et fixée avec une sangle sur le plateau de batterie pour le transport.

1. Retirer le couvercle de visite de la batterie (voir page 63).
2. Décrocher la sangle de batterie du crochet inférieur, puis retirer la batterie.
3. Retirer seulement les câbles de batterie de l'attache torsadée. S'assurer que le faisceau du connecteur bleu à 4 broches est fixé avec l'attache torsadée.
Charger correctement la batterie. Voir page 65.
Reposer la batterie.
4. Retirer le cache de protection de la borne positive (+) de la batterie et raccorder le câble positif (+) à la borne positive (+) de la batterie. Veiller à protéger la borne avec le soufflet de batterie.
5. Brancher le câble négatif (-) à la borne négative (-) de la batterie.
6. Fixer la batterie en accrochant la sangle au crochet inférieur du groupe électrogène.



7. Poser le couvercle de visite de la batterie dans l'ordre inverse de la dépose (voir page 63).
Ne jamais faire fonctionner le groupe électrogène alors que le couvercle de visite de la batterie est ouvert car ceci affecterait les performances du moteur et du groupe électrogène.

Huile moteur

Le groupe électrogène est expédié **SANS HUILE** dans le moteur.

Placer le groupe électrogène sur une surface horizontale. Ouvrir le couvercle de visite droit en tournant son loquet dans le sens inverse des aiguilles d'une montre.

Déposer le bouchon de remplissage d'huile.

Ajouter de l'huile recommandée en quantité suffisante pour que le niveau atteigne la limite supérieure du goulot de remplissage d'huile.

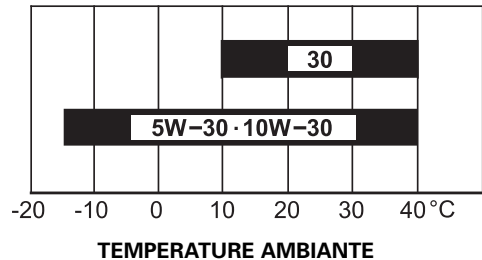
Utiliser une huile moteur 4 temps répondant aux prescriptions pour la classe service API SE ou ultérieure (ou équivalente).

De l'huile SAE 10W-30 est recommandée pour usage général toute température. Les autres viscosités indiquées dans le tableau peuvent être utilisées lorsque la température du lieu d'utilisation se trouve dans la plage indiquée.

Reposer et serrer fermement le bouchon de remplissage d'huile. Fermer le couvercle de visite droit en tournant son loquet dans le sens des aiguilles d'une montre.

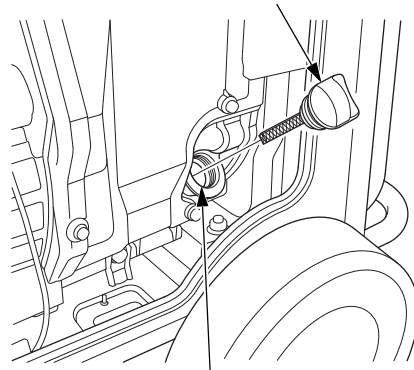
Carburant

Se reporter à la page 52.



TEMPERATURE AMBIANTE

BOUCHON DE REMPLISSAGE D'HUILE



GOULOT DE REMPLISSAGE D'HUILE



LIMITE SUPERIEURE

MONTAGE

Tension de la batterie

Vérifier la tension de la batterie avec l'i-Monitor (voir page 26).

La tension de la batterie doit être d'au moins 12,3 V.

Si la tension de la batterie est basse, charger la batterie jusqu'à ce que la tension atteigne au moins 12,3 V.

AVANT L'UTILISATION

Avant d'utiliser le groupe électrogène, tous les utilisateurs doivent lire les chapitres et rubriques ci-dessous :

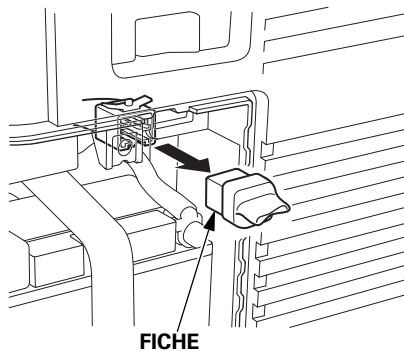
- **SECURITE DU GROUPE ELECTROGENE** (voir page 6)
- **COMMANDES ET FONCTIONS** (voir page 14)
- **AVANT L'UTILISATION** (voir page 29)
- **UTILISATION** (voir page 31)
- **MISE EN MARCHE DU MOTEUR** (voir page 33)
- **ARRET DU MOTEUR** (voir page 36)
- **PROGRAMME D'ENTRETIEN** (voir page 51)

PIECES EN OPTION

KIT DE COMMANDE A DISTANCE

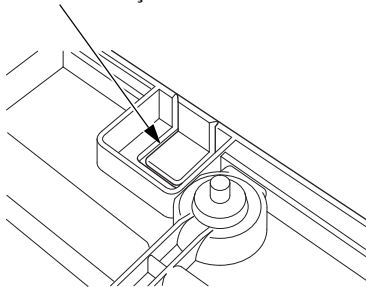
L'utilisation de la commande à distance dans des conditions humides telles que pluie ou neige, près d'une piscine ou d'un dispositif d'arrosage ou avec les mains mouillées peut provoquer un dysfonctionnement. Garder la commande à distance au sec. (Degré de protection : IP3X)

1. Retirer le couvercle de visite de la batterie (voir page 63).
2. Retirer la fiche du connecteur.
 - Ne pas jeter la fiche. Elle devra être remise en place sur le connecteur lors du retrait du kit de commande à distance.

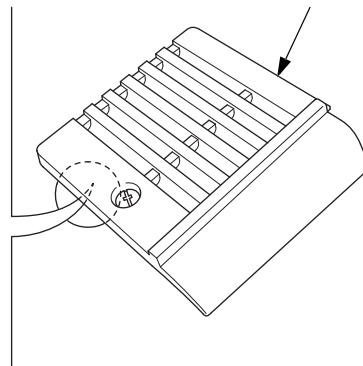


3. Regarder le dos du couvercle de visite de la batterie et localiser l'alvéole défonçable près de la partie centrale supérieure du couvercle. Défoncer l'alvéole avec précaution.

ALVEOLE DEFONÇABLE

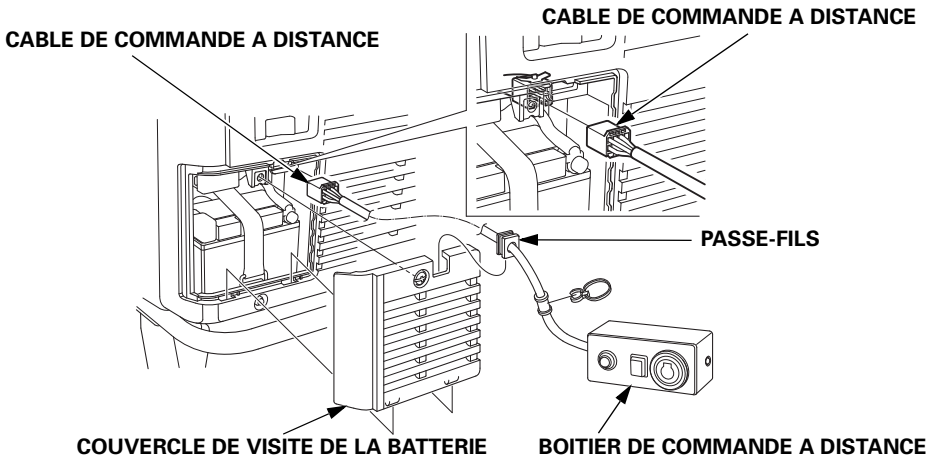


COUVERCLE DE VISITE DE LA BATTERIE

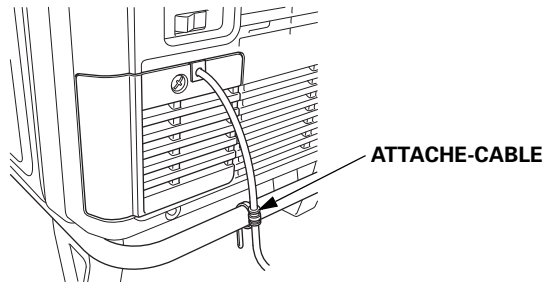


PIECES EN OPTION

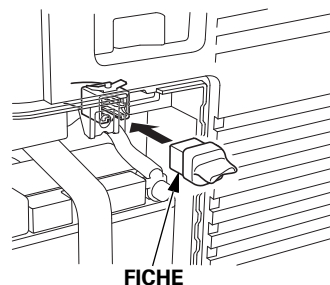
4. Poser le passe-fils sur l'alvéole du couvercle de visite de la batterie.
5. Brancher le câble de commande à distance au connecteur.
6. Reposer le couvercle de visite de batterie et serrer la vis du couvercle.



7. Pour prévenir un débranchement accidentel du câble de commande à distance, le fixer au bâti du groupe électrogène avec un attache-câble comme sur la figure.



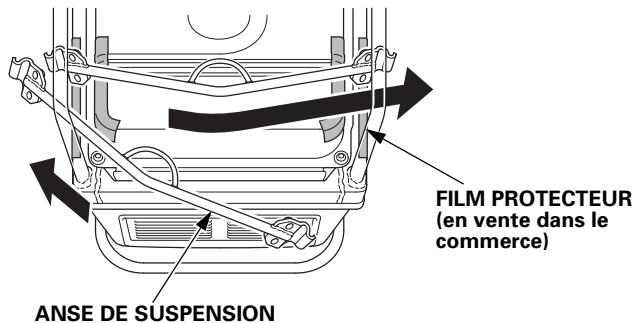
- Ne jamais faire fonctionner le groupe électrogène alors que le couvercle de visite de la batterie est ouvert car ceci affecterait les performances du moteur et du groupe électrogène.
- Poser la fiche sur le connecteur lors du retrait du kit de commande à distance.



KIT D'ANSE DE SUSPENSION

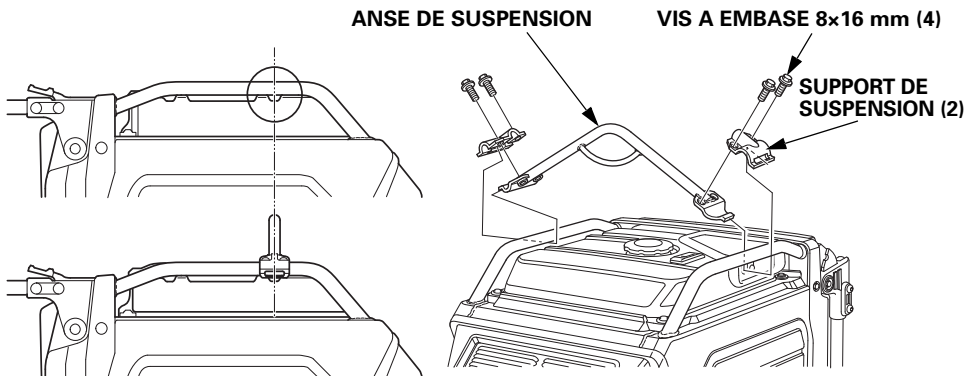
Protéger le réservoir de carburant et le tube de châssis avec des films protecteurs pendant la pose de l'anse de suspension.

1. Enfiler une extrémité de l'anse de suspension sous le tube du châssis sur le côté gauche du groupe électrogène.
2. Enfiler l'autre extrémité de l'anse de suspension sous le tube du châssis sur le côté droit du groupe électrogène.



3. Faire glisser l'anse de suspension le long des tubes du châssis pour aligner son axe sur le creux à l'arrière du réservoir de carburant.
4. Poser les supports de suspension aux deux extrémités de l'anse de suspension et serrer fermement les vis à embase de 8×16 mm.

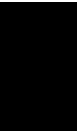
COUPLE DE SERRAGE : 24–29 N·m (2,4–3,0 kgf·m)



NOTES PERSONNELLES

Honda EU70is

BEDIENUNGSANLEITUNG
Originalbetriebsanleitung



⚠️ WARNUNG

Abgas enthält giftiges Kohlenmonoxid, das in geschlossenen Räumen gefährliche Konzentrationen erreichen kann. Einatmen von Kohlenmonoxid kann Bewusstlosigkeit hervorrufen und zum Tod führen.

Der Generator darf niemals in einem geschlossenen Raum laufen gelassen werden, und auch nicht in einer zum Teil geschlossenen Umgebung, wo sich Menschen aufhalten könnten.

Halten Sie diese Bedienungsanleitung griffbereit, damit Sie sich jederzeit darauf beziehen können. Diese Bedienungsanleitung muss als Teil des Generators betrachtet werden und bei seinem Verkauf weitergegeben werden.

Die in dieser Veröffentlichung enthaltenen Informationen und Spezifikationen waren zum Zeitpunkt der Drucklegung gültig. Honda Motor Co., Ltd. behält sich jedoch das Recht vor, jederzeit und ohne Vorankündigung Spezifikationen oder das Design zu ändern bzw. nicht mehr fortzuführen, ohne hierdurch irgendwelche Verpflichtungen einzugehen.

- Die Abbildung kann je nach Typ unterschiedlich sein.

VORWORT

Herzlichen Glückwunsch zu Ihrem Kauf eines Honda-Generators. Wir sind davon überzeugt, dass Sie mit Ihrem Kauf eines der besten Generatoren auf dem Markt zufrieden sein werden.

Wir möchten Ihnen dabei helfen, die besten Ergebnisse mit Ihrem neuen Generator zu erzielen und ihn sicher zu betreiben. Dieses Handbuch enthält diesbezügliche Informationen; bitte lesen Sie es sorgfältig durch.

Bestimmte Informationen in diesem Handbuch sind mit dem Symbol **ACHTUNG** gekennzeichnet. Diese Informationen sollen dabei helfen, Schäden an Ihrem Generator, Sachbeschädigungen oder Umweltschäden zu vermeiden.

Wir raten Ihnen, die Garantiepolice durchzulesen, um die Garantieleistungen und Ihre Verantwortung als Besitzer voll zu verstehen.

Sollte Ihr Generator eine routinemäßige Wartung benötigen, so denken Sie bitte daran, dass Ihr Honda-Wartungshändler speziell für die Wartung von Honda-Generatoren geschult ist. Ihr Honda-Wartungshändler wird sich bemühen, alles zu Ihrer Zufriedenheit zu erledigen und Ihre Fragen und Bedenken zu beantworten.

Mit freundlichen Grüßen
Honda Motor Co., Ltd.


EIN WORT ZUR SICHERHEIT

Ihre Sicherheit und die Sicherheit anderer Personen ist sehr wichtig. Der sichere Betrieb dieses Generators ist eine hohe Verantwortung.




Damit Sie sachgerechte Entscheidungen bezüglich der Sicherheit treffen können, haben wir Vorgehensweisen und andere Informationen auf Hinweisschildern und in diesem Handbuch bereitgestellt. Diese Angaben weisen auf potenzielle Verletzungsgefahren für Sie und andere Personen hin.

Da es nicht möglich ist, alle Gefahren zu nennen, die bei Arbeiten an diesen Produkten auftreten können, müssen Sie jede Situation selbst sorgfältig beurteilen.

Wichtige Sicherheitsinformationen finden Sie als:

- **Sicherheitsschilder** — am Generator.
- **Sicherheitshinweise** — gekennzeichnet durch das Warnsymbol  und eines der drei Signalwörter GEFAHR, WARNUNG oder VORSICHT.

Diese Signalwörter haben die folgenden Bedeutungen:

 GEFAHR	Missachtung der Anweisungen FÜHRT ZUM TOD oder zu SCHWEREN VERLETZUNGEN.
 WARNUNG	Missachtung der Anweisungen KANN ZUM TOD oder zu SCHWEREN VERLETZUNGEN führen.
 VORSICHT	Missachtung der Anweisungen KANN zu VERLETZUNGEN führen.

- **Sicherheitsüberschriften** — wie z. B. *WICHTIGER SICHERHEITSHINWEIS*.
- **Sicherheitsabschnitt** — wie z. B. *GENERATOR-SICHERHEIT*.
- **Anleitungen** — richtige und sichere Wartung dieses Generators.

Das gesamte Handbuch enthält wichtige Sicherheitsinformationen — bitte lesen Sie es sorgfältig durch.

INHALT

GENERATOR-SICHERHEIT	6
WICHTIGER SICHERHEITSHINWEIS	6
Verantwortung der Bedienperson	6
Kohlenmonoxid-Gefahr	7
Stromschlaggefahr	8
Brand- und Verbrennungsgefahr	8
Vorsicht beim Tanken	9
Explosionssicher	9
Entsorgung	9
LAGE DER SICHERHEITSAUFKLEBER	10
LAGE DER CE-MARKIERUNG UND DES GERÄUSCHPEGEL- HINWEISSCHILDS	13
CE-MARKIERUNG UND GERÄUSCHPEGEL-HINWEISSCHILD	13
BEDIENUNGSELEMENTE UND MERKMALE	14
LAGE VON TEILEN UND BEDIENUNGSELEMENTEN	14
BEDIENUNGSELEMENTE	16
HAUPTSCHALTER	16
MOTORSTART-Knopf	16
Startgriff	17
Eco-Drosselklappenschalter	17
Parallelbetriebsbuchsen	18
Wechselstrom-Schaltkreisschutzvorrichtungen	18
Klappgriff	20
Wartungsabdeckungen	21
AUSSTATTUNGSMERKMALE	22
Masseklemme	22
AUSGANGS-Anzeige	23
ÜBERLASTALARM-Anzeige	23
ÖLWARN-/PRÜF-Anzeige	24
i-Monitor	25
Kraftstoffanzeige	28
VOR INBETRIEBNAHME	29
SIND SIE STARTBEREIT?	29
Kenntnisse	29
IST IHR GENERATOR BETRIEBSBEREIT?	29
Motor kontrollieren	30
Batterie-Wartungsabdeckung	30

INHALT

BETRIEB	31
VORKEHRUNGEN FÜR SICHEREN BETRIEB.....	31
ANLASSEN DES MOTORS.....	33
STOPPEN DES MOTORS	36
ANLASSEN DES MOTORS mit FERNSTEUERUNG (Optionals Teil)	37
STOPPEN DES MOTORS mit FERNSTEUERUNG (Optionals Teil)	38
WECHSELSTROMBETRIEB.....	39
Anschluss von Wechselstromverbrauchern	41
WECHSELSTROM-PARALLEL BETRIEB	42
Anwendungen, Wechselstrom-Parallelbetrieb	44
ECO-DROSSELKLAPPENSYSTEM	46
RESERVESTROM.....	47
Anschluss an das elektrische Netz eines Gebäudes	47
Systemmasse	47
Sonderanforderungen.....	48
WARTUNG DES GENERATORS	49
DIE BEDEUTSAMKEIT RICHTIGER WARTUNG	49
SICHERHEIT BEI WARTUNGSARBEITEN	50
Sicherheitsvorkehrungen	50
WARTUNGSPLAN	51
TANKEN	52
KRAFTSTOFFEMPFEHLUNGEN.....	53
PRÜFUNG DES MOTORÖLSTANDS	54
MOTORÖLWECHSEL	55
MOTORÖLEMPFEHLUNGEN	56
WARTUNG LUFTFILTER	57
REINIGUNG DES SCHAUMLUFTFILTERS	58
ZÜNDKERZENWARTUNG	59
FUNKENSCHUTZWARTUNG	61
WARTUNG DER BATTERIE	62
SICHERUNG	66
LAGERUNG	67
LAGERUNGSVORBEREITUNG	67
Reinigung	67
Kraftstoff	67
Motoröl.....	69
Batterie	69
LAGERUNGSVORKEHRUNGEN	70
WIEDERINBETRIEBNAHME	70

TRANSPORT	71
BEHEBUNG UNERWARTETER PROBLEME	73
MOTOR SPRINGT NICHT AN	73
MOTORLEISTUNGSMANGEL	74
KEIN STROM AN DEN WECHSELSTROM-STECKDOSEN.....	74
TECHNISCHE INFORMATION.....	75
Position der Seriennummer	75
Technische Daten.....	76
Schaltschema	78
Steckdose	79
MONTAGE	80
SICHERHEIT	80
Die Bedeutsamkeit richtiger Montage	80
Wichtige Sicherheitsregeln	81
MONTAGE	82
Auspacken	82
Mitgelieferte Teile.....	82
Einbau Radsatz	83
Batterie.....	84
Motoröl.....	85
Kraftstoff	85
Batteriespannung	86
VOR INBETRIEBNAHME	86
OPTIONALE TEILE	87
FERNSTEUERUNGSSATZ	87
AUFHÄNGUNGSSATZ	89
Dritte Umschlagseite	
SCHALTSCHEMA	Dritte Umschlagseite
ADRESSEN DER WICHTIGSTEN	
Honda-HAUPTHÄNDLER	Dritte Umschlagseite
"EG-Konformitätserklärung"	
INHALTSÜBERSICHT	Dritte Umschlagseite

GENERATOR-SICHERHEIT

WICHTIGER SICHERHEITSHINWEIS

Honda-Generatoren sind zum Betrieb von elektrischen Ausrüstungen mit geeigneten Leistungsanforderungen ausgelegt. Andere Anwendungen können zu Verletzungen der Bedienperson und zu einer Beschädigung des Generators sowie anderen Sachschäden führen.

Die meisten Verletzungen und Sachschäden lassen sich vermeiden, wenn alle Anweisungen in dieser Anleitung und alle am Generator angebrachten Anweisungen befolgt werden. Nachfolgend sind die üblichsten Gefahren mit entsprechenden Schutzmaßnahmen beschrieben.

- Der Generator darf in keiner Weise modifiziert werden. Dies kann einen Unfall und eine Beschädigung des Generators sowie von Geräten zur Folge haben.
 - Keine Verlängerung am Auspufftopf anschließen.
 - Keine Veränderungen am Ansaugsystem vornehmen.
 - Den Regler nicht verstellen.
 - Das Bedienpult nicht abnehmen und dessen Verkabelung nicht verändern.

Verantwortung der Bedienperson

- Sie müssen den Generator in einem Notfall schnell stoppen können.
- Machen Sie sich mit allen Bedienungselementen, Ausgangssteckdosen und Anschlüssen des Generators vertraut.
- Vergewissern Sie sich, dass jede Person, die den Generator bedient, richtig eingewiesen worden ist. Sorgen Sie dafür, dass Kinder ohne Aufsicht keinen Zugang zum Generator haben.
- Befolgen Sie die Anweisungen in diesem Handbuch hinsichtlich des Gebrauchs und der Wartung des Generators. Nichtbeachtung oder falsche Ausführung der gegebenen Anweisungen kann zu Unfällen, z. B. durch Stromschläge, und zu einer Verschlechterung der Abgasbeschaffenheit führen.
 - Beachten Sie bitte alle für den Einsatzbereich des Generators geltenden Vorschriften und Gesetze.
 - Benzin und Öl sind giftig. Vor Gebrauch die Anweisungen des jeweiligen Herstellers lesen und befolgen.
 - Den Generator auf einer festen, ebenen Stelle absetzen.
 - Den Generator nicht betreiben, wenn irgendeine Abdeckung abgenommen ist. Dies würde erhöhte Unfallgefahr bedeuten, und Sie könnten sich mit einer Hand oder einem Fuß im Generator verfangen.
 - Bezüglich Zerlegungs- und Wartungsverfahren des Generators, die in diesem Handbuch nicht beschrieben sind, wenden Sie sich bitte an Ihren Honda-Händler.

Kohlenmonoxid-Gefahr

Die Abgase eines Generators enthalten Kohlenmonoxid, ein farb- und geruchloses Giftgas. Einatmung von Kohlenmonoxid kann INNERHALB WENIGER MINUTEN TÖDLICH SEIN. Zur Vermeidung einer Kohlenmonoxid-Vergiftung sind bei Betrieb eines Generators folgende Anweisungen zu beachten:

- Lassen Sie den Generator nur IM FREIEN laufen, weg von Fenstern, Türen und Abzugsöffnungen.
- Der Generator darf niemals in einem Haus, einer Garage, einem Keller, einem Kriechzwischenraum oder einem sonstigen geschlossenen oder teilweise geschlossenen Raum betrieben werden.
- Den Generator niemals in der Nähe geöffneter Türen oder Fenster betreiben.
- Gehen Sie sofort an die frische Luft und suchen Sie unverzüglich ärztliche Hilfe auf, wenn Sie den Verdacht haben sollten, dass Sie Kohlenmonoxid eingeatmet haben.

Zu ersten Anzeichen einer Kohlenmonoxid-Vergiftung gehören Kopfschmerzen, Müdigkeit, Atemnot, Übelkeit und Schwindel. Wenn man für längere Zeit Kohlenmonoxid ausgesetzt ist, kann dies zum Verlust der Muskelkoordination, zu Bewusstlosigkeit und letztendlich zum Tod führen.

GENERATOR-SICHERHEIT

Stromschlaggefahr

Der Generator erzeugt so viel elektrische Energie, dass Missbrauch zu Stromschlägen führen kann, die tödlich ausgehen können.

- Nicht unter feuchten Bedingungen verwenden. Sorgen Sie stets dafür, dass der Generator trocken bleibt.
 - Nicht bei Regen oder Schnee verwenden.
 - Nicht in der Nähe eines Schwimmbads oder einer Sprinkleranlage verwenden.
 - Nicht mit nassen Händen verwenden.
- Wenn der Generator im Freien, ungeschützt vor Wetter, abgestellt ist, sind alle elektrischen Komponenten am Bedienpult vor jedem Gebrauch zu überprüfen. Feuchtigkeit oder Eis kann Funktionsstörungen und Kurzschlüsse bei elektrischen Komponenten und damit tödliche Stromschläge verursachen.
- Ein Anschluss an die elektrische Anlage eines Gebäudes ist zu unterlassen, sofern von einem Fachmann nicht ein Trennschalter installiert worden ist.
- Bei einem Parallelbetrieb, bei dem ein EU70is mit einem weiteren EU70is Generator verbunden wird, nur einen von Honda zugelassenen Parallelsatz (Sonderausstattung) verwenden.
- Es dürfen niemals unterschiedliche Generatormodelle miteinander verbunden werden.

Brand- und Verbrennungsgefahr

Die Auspuffanlage wird so heiß, dass sich gewisse Materialien an ihr entzünden können.

- Halten Sie den Generator während des Betriebs mindestens 1 Meter von Gebäuden und anderen Geräten fern.
- Der Generator darf auf keine Weise umschlossen werden.
- Halten Sie brennbare Materialien vom Generator fern.

Der Auspufftopf wird während des Betriebs sehr heiß und bleibt auch nach dem Abstellen des Motors eine gewisse Zeit lang heiß. Darauf achten, den Auspufftopf in heißem Zustand nicht zu berühren. Den Motor abkühlen lassen, bevor der Generator in einem geschlossenen Raum abgestellt wird.

Vorsicht beim Tanken

Benzin ist außerordentlich feuergefährlich, Benzindampf kann explodieren.

- Während des Betriebs darf nicht nachgetankt werden.
- Lassen Sie den Motor nach dem Betrieb abkühlen.
- Nur im Freien in einem gut belüfteten Bereich und auf ebenem Untergrund tanken.
- In der Nähe von Benzin darf nicht geraucht werden, jegliche Flammen und Funken sind fern zu halten.
- Den Tank nicht überfüllen.
- Eventuell verschüttetes Benzin muss vollständig aufgewischt werden, bevor der Motor gestartet wird.
- Bewahren Sie Benzin stets in einem zugelassenen Behälter auf.

Explosionssicher

Dieser Generator erfüllt Explosionssicherheitsanforderungen nicht.

Entsorgung

Aus Umweltschutzgründen dürfen Generator, Batterie, Motoröl usw. nicht einfach in den Abfall gegeben werden.

Beachten Sie alle örtlichen Gesetze und Vorschriften hinsichtlich der korrekten Entsorgung derartiger Teile und Stoffe. Ihr autorisierter Honda-Generator-Händler berät Sie dabei gerne.

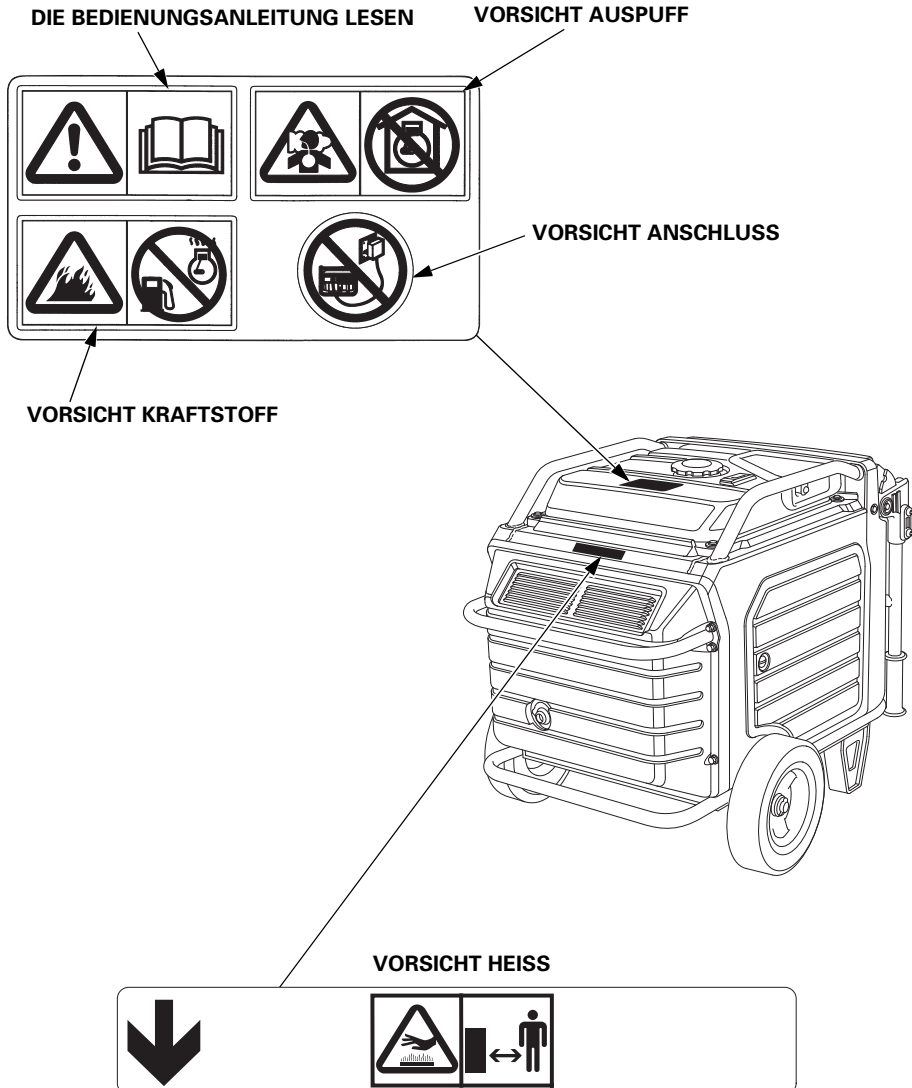
Bei der Beseitigung des Altöls bitte die entsprechenden Umweltschutzbestimmungen beachten. Wir empfehlen, dass Sie das Altöl zu Ihrer örtlichen Tankstelle bringen. Das gebrauchte Motoröl nicht in den Abfall werfen oder auf den Boden gießen.

Eine unsachgemäß entsorgte Batterie kann die Umwelt schädigen. Halten Sie sich beim Entsorgen von Batterien stets an örtlich geltende Vorschriften. Bezüglich Ersatz wenden Sie sich bitte an Ihren Honda-Wartungshändler.

GENERATOR-SICHERHEIT

LAGE DER SICHERHEITS-AUFKLEBER

Diese Aufkleber informieren über potenzielle Gefahrenquellen, die schwere Verletzungen verursachen können. Bitte sorgfältig durchlesen. Falls sich ein Aufkleber abgelöst hat oder schwer leserlich geworden ist, wenden Sie sich an Ihren Honda-Wartungshändler, um einen Ersatz zu bekommen.





- **Honda-Generatoren sind für einen sicheren und zuverlässigen Betrieb ausgelegt, sofern sie entsprechend den Anweisungen betrieben werden.**

Lesen Sie die Bedienungsanleitung gründlich, bevor Sie den Generator in Betrieb nehmen. Anderenfalls können Personenverletzungen und/oder Geräteschäden verursacht werden.



- **Benzin ist äußerst feuergefährlich und explosiv. Bevor getankt wird, den Motor abstellen und abkühlen lassen.**



- **Abgase enthalten Kohlenmonoxid, ein farb- und geruchloses Giftgas. Einatmung von Kohlenmonoxid kann Bewusstlosigkeit verursachen und tödlich wirken.**
- **Wenn Sie den Generator in einem geschlossenen oder auch nur teilweise geschlossenen Raum laufen lassen, kann die Luft, die Sie einatmen, eine gefährliche Abgasmenge enthalten.**
- **Der Generator darf auf keinen Fall in einer Garage, in einem Haus bzw. in der Nähe geöffneter Fenster oder Türen betrieben werden.**

GENERATOR-SICHERHEIT



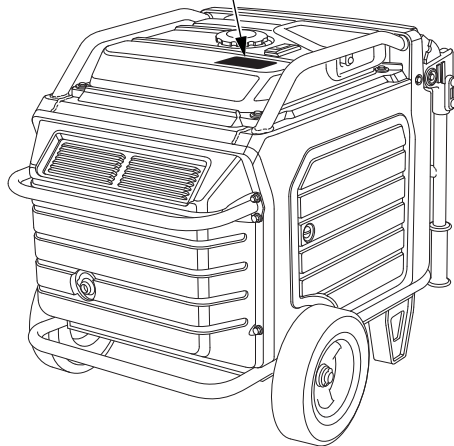
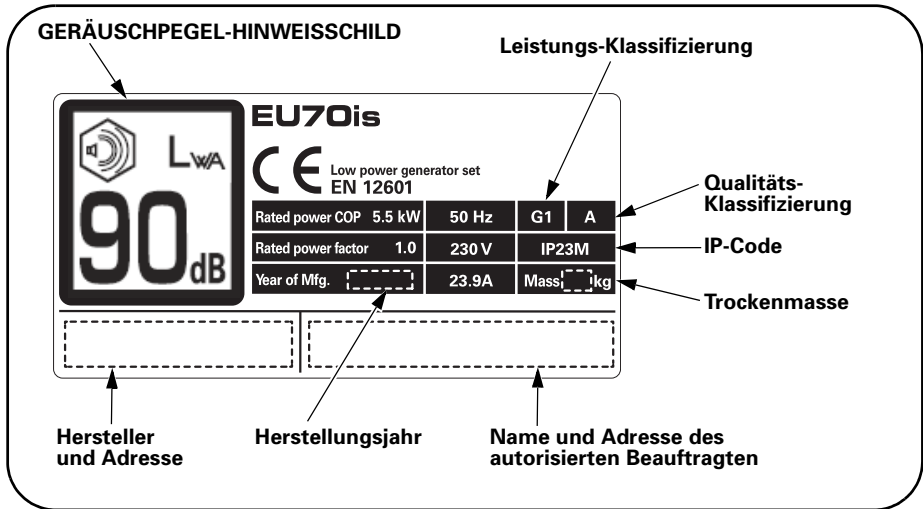
- **Falsche Anschlüsse an das elektrische Leitungssystem eines Gebäudes können zur Einspeisung von Strom vom Generator in das Netz führen.**
Dieser Vorgang kann zu lebensgefährlichen Stromschlägen für Beschäftigte des Stromversorgungsunternehmens oder andere Personen führen, die während eines Stromausfalls Netzleitungen berühren.
Außerdem kann der Generator bei erneuter Zuschaltung der Netzspannung explodieren, Feuer fangen oder einen Brand verursachen.
Bevor Sie derartige Stromanschlüsse herstellen, setzen Sie sich mit dem Stromversorgungsunternehmen oder einem Fachmann in Verbindung.



- **An einer heißen Auspuffanlage kann man sich ernsthafte Verbrennungen zuziehen. Wenn der Motor in Betrieb war, ist Berührung zu vermeiden.**

LAGE DER CE-MARKIERUNG UND DES GERÄUSCHPEGEL-HINWEISSCHILDS

CE-MARKIERUNG UND GERÄUSCHPEGEL-HINWEISSCHILD



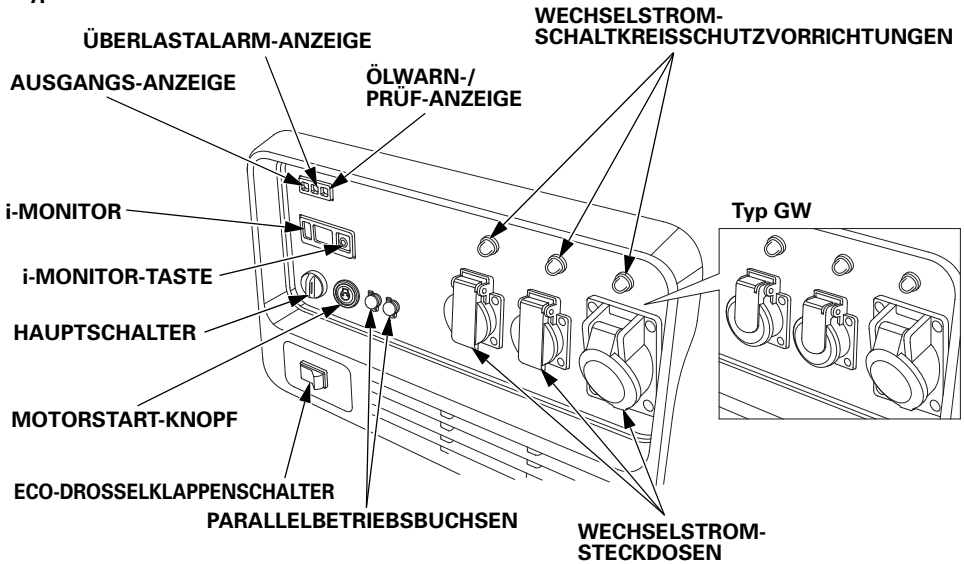
Name und Anschrift des Herstellers und des Beauftragten werden in der Bedienungsanleitung unter "EG-Konformitätserklärung" INHALTSÜBERSICHT aufgeführt.

BEDIENUNGSELEMENTE UND MERKMALE

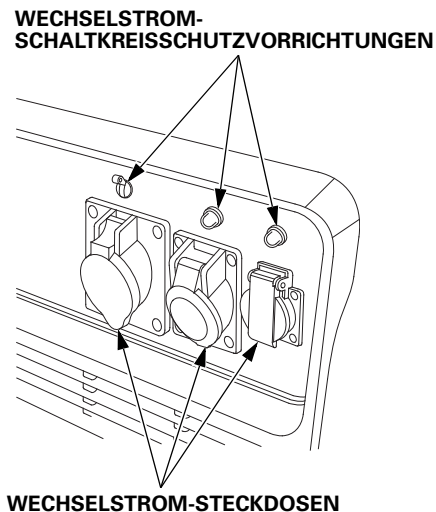
LAGE VON TEILEN UND BEDIENUNGSELEMENTEN

Verwenden Sie die folgenden Abbildungen, um die am häufigsten verwendeten Bedienungselemente ausfindig zu machen und zu identifizieren.

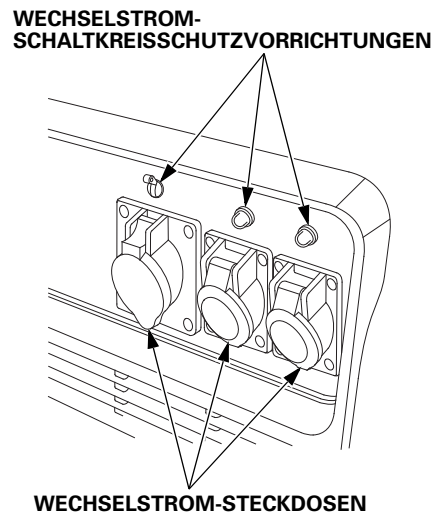
Typ G



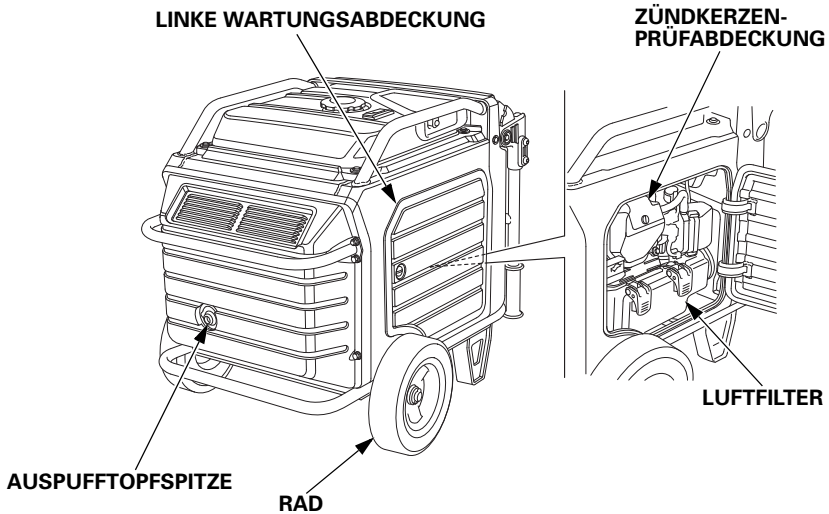
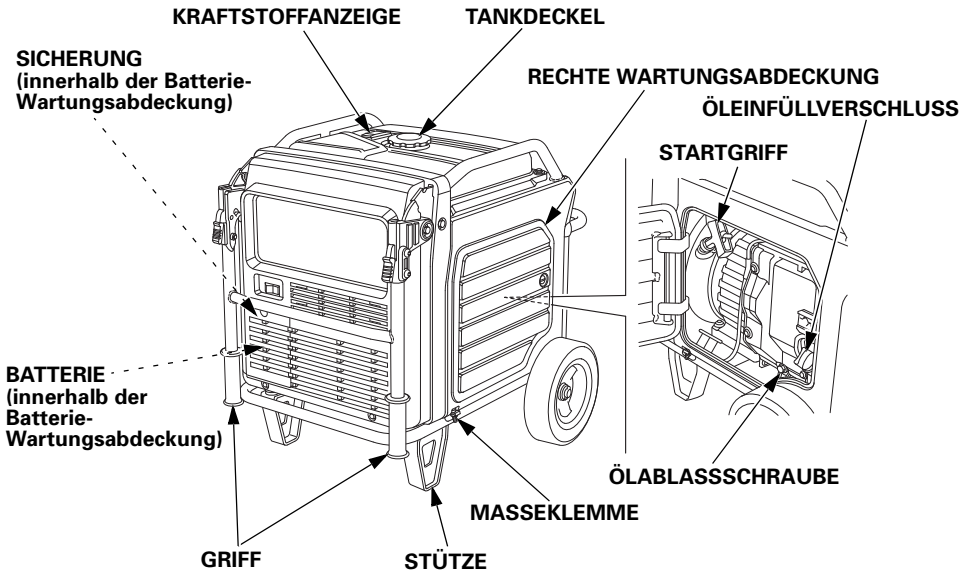
Typ F



Typ IT



BEDIENUNGSELEMENTE UND MERKMALE



BEDIENUNGSELEMENTE UND MERKMALE

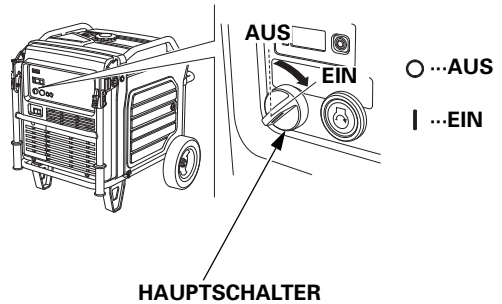
BEDIENUNGSELEMENTE

HAUPTSCHALTER

Mit dem HAUPTSCHALTER wird die Zündung gesteuert.

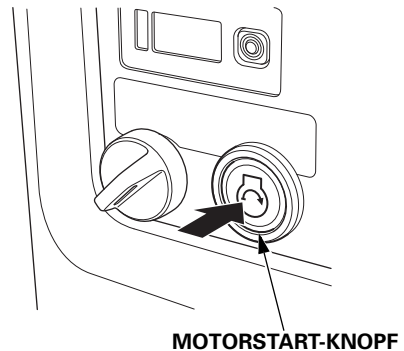
AUS – Den Motor stoppen. Der Hauptschalterschlüssel kann abgezogen/eingesteckt werden.

EIN – Laufstellung und zum Starten mit dem MOTORSTART-Knopf oder mit dem Startzug und zur Verwendung des Fernsteuerungssatzes (optionale Teile).



MOTORSTART-Knopf

Den HAUPTSCHALTER auf EIN stellen und den MOTORSTART-Knopf zum Starten des Motors drücken und dann loslassen.



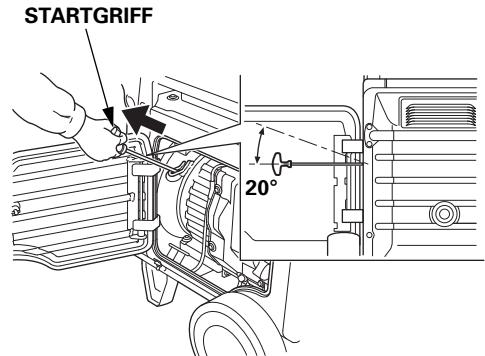
BEDIENUNGSELEMENTE UND MERKMALE

Startgriff

Wird verwendet, wenn die Batteriespannung zum Drehen des Starters nicht ausreicht. Durch Ziehen des Startgriffs wird der Startzug betätigt und der Motor gestartet.

ACHTUNG

- *Beim Ziehen des Startgriffs 20 Grad aus der Horizontalen nicht überschreiten.*
- *Den Startgriff nicht gegen den Motor zurückschlagen lassen. Langsam zurückführen, damit die Startvorrichtung nicht beschädigt wird.*
- *Das Startseil nicht am Generator reiben lassen, da es sonst schnell verschleißt.*



Eco-Drosselklappenschalter

Wenn alle Lasten abgeschaltet oder abgetrennt werden, senkt das Eco-Drosselklappensystem selbsttätig die Motordrehzahl. Wenn Geräte wieder eingeschaltet oder angeschlossen werden, nimmt der Motor wieder die angemessene Drehzahl auf.

Bei einem gleichzeitigen Anschließen von Geräten mit hoher Leistungsaufnahme ist der Eco-Drosselklappenschalter auf AUS zu stellen, um Spannungsschwankungen abzuschwächen.

EIN – Empfiehlt sich zur Minimierung des Kraftstoffverbrauchs und zur weiteren Reduzierung von Betriebsgeräuschen, wenn der Generator einer reduzierten Last bzw. keiner Last unterliegt.

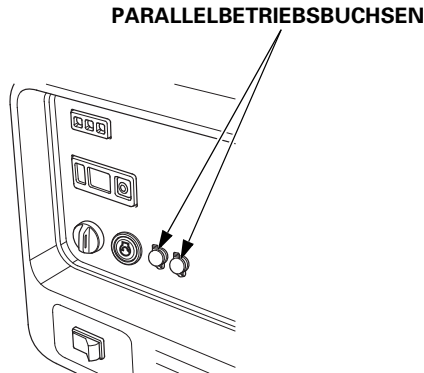
AUS – Das Eco-Drosselklappensystem arbeitet nicht. Der Generator läuft mit voller Geschwindigkeit.



BEDIENUNGSELEMENTE UND MERKMALE

Parallelbetriebsbuchsen

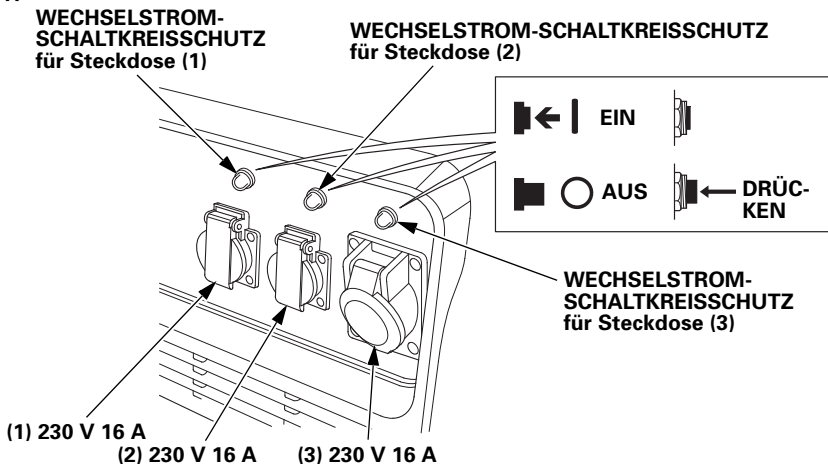
Diese Buchsen werden verwendet, wenn für einen Parallelbetrieb ein EU70is mit einem weiteren EU70is Generator verbunden wird (siehe Seite 42). Für einen Parallelbetrieb ist ein von Honda zugelassener Parallelsatz (Sonderausstattung) erforderlich. Dieser Satz ist von Ihrem Wartungshändler erhältlich.



Wechselstrom-Schaltkreisschutzvorrichtungen

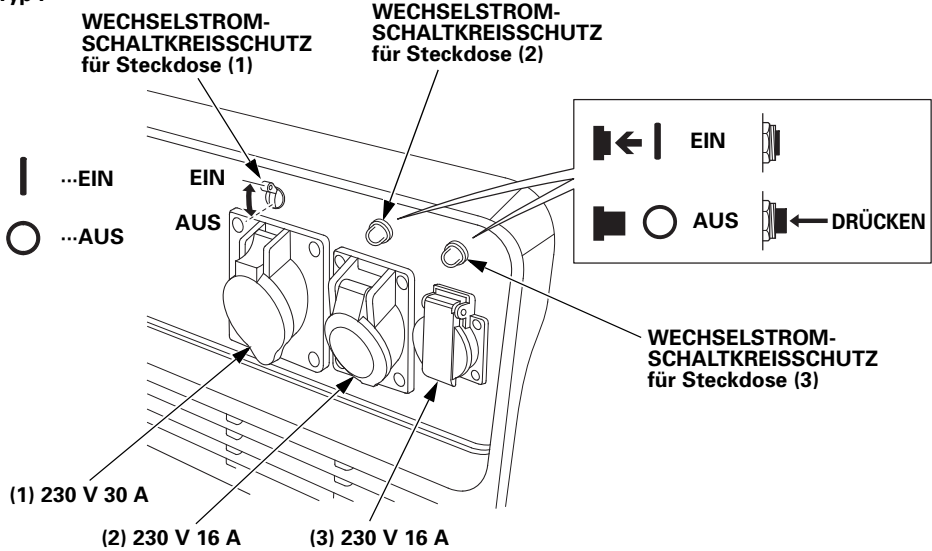
Die Wechselstrom-Schaltkreisschutzvorrichtungen schalten automatisch AUS, wenn ein Kurzschluss oder eine bedeutsame Überlast beim Generator an einer Steckdose vorliegt. Wenn ein Wechselstrom-Schaltkreisschutz automatisch abschaltet (AUS), sicherstellen, dass das Gerät richtig funktioniert, und dass die Nennlastkapazität des Schaltkreises nicht überschritten ist, bevor der Wechselstrom-Schaltkreisschutz wieder eingeschaltet (EIN) wird.

Typ G, GW

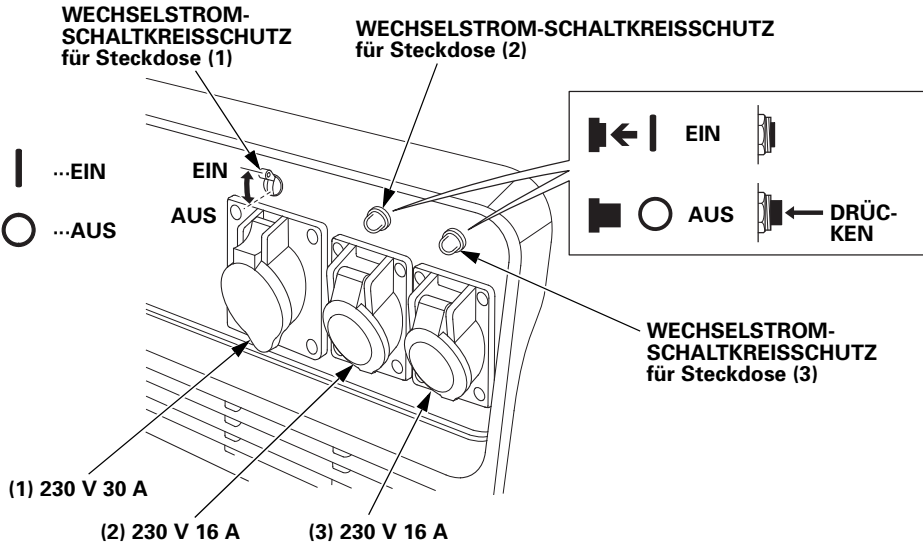


BEDIENUNGSELEMENTE UND MERKMALE

Typ F



Typ IT



BEDIENUNGSELEMENTE UND MERKMALE

Klappgriff

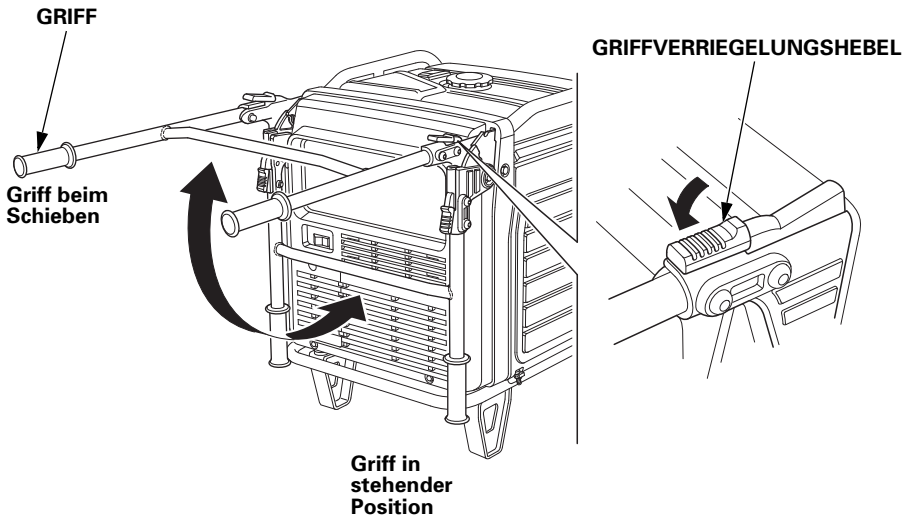
Mit dem Klappgriff lässt sich der Generator leicht schieben. Wenn der Generator steht, sollte der Griff zusammengeklappt werden. Keine Gegenstände auf die ausgeklappte Griffereinheit legen.

Ausklappen der Griffereinheit

Die Griffereinheit anheben. Verriegelungshebel arretieren die Griffereinheit und halten sie sicher in Position.

Einklappen der Griffereinheit

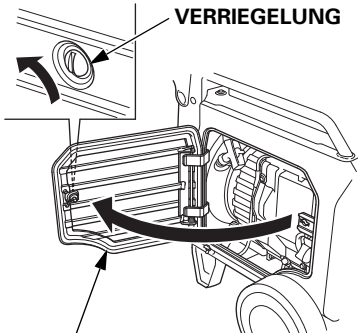
1. Beide Griffverriegelungshebel nach unten drücken.
2. Die Griffereinheit absenken.



BEDIENUNGSELEMENTE UND MERKMALE

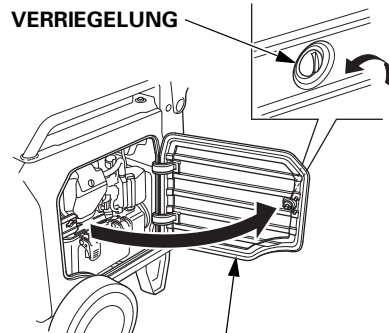
Wartungsabdeckungen

Lage der Wartungsabdeckung.



RECHTE WARTUNGSABDECKUNG

- Prüfung des Motorölstands
- Motorölwechsel
- Startzug verwenden



LINKE WARTUNGSABDECKUNG

- Zündkerzenkontrolle/-austausch
- Überprüfung/Reinigung des Luftfilters



Die Abdeckung zudrücken und die Verriegelung drehen.

Sicherstellen, dass die Wartungsabdeckungen während des Betriebs des Generators geschlossen sind.

ACHTUNG

Wenn der Generator läuft, während die Wartungsabdeckung(en) offen ist/sind, wird sich dies nachteilig auf die Motorleistung auswirken und zu einer Überhitzung des Generators führen.

Öffnen:

Die Verriegelung um 90° gegen den Uhrzeigersinn drehen.

Schließen:

Zum Arretieren die Verriegelung um 90° im Uhrzeigersinn drehen, während die Abdeckung angedrückt wird.

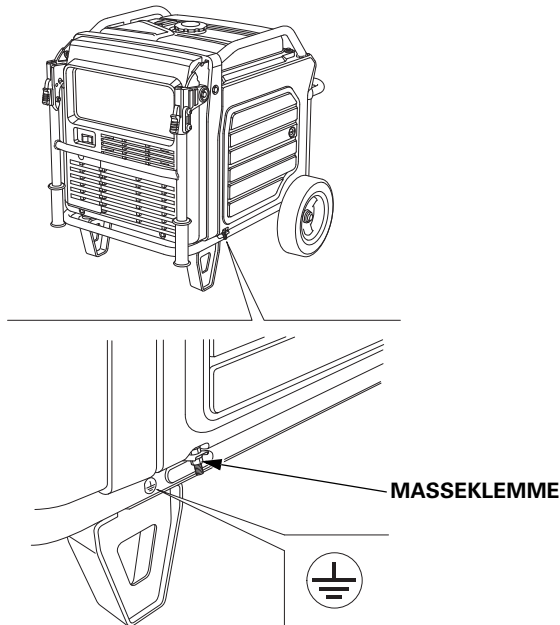
BEDIENUNGSELEMENTE UND MERKMALE

AUSSTATTUNGSMERKMALE

Masseklemme

Die Masseklemme ist mit dem Generatorrahmen, mit den nicht stromführenden Metallteilen des Generators und mit den Masseklemmen der einzelnen Steckdosen verbunden.

Wenden Sie sich vor Verwendung der Masseklemme an einen qualifizierten Elektriker, einen elektrischen Prüfer oder die Behörde vor Ort mit rechtlicher Zuständigkeit für örtliche Vorschriften oder Gesetze, die sich auf den vorgesehenen Verwendungszweck des Generators beziehen.



Der Generator erzeugt so viel elektrische Energie, dass Missbrauch zu Stromschlägen führen kann, die tödlich ausgehen können. Wenn das angeschlossene Gerät geerdet ist, muss auch der Generator geerdet werden.

Zum Erden der Klemme des Generators einen Kupferdraht verwenden, der denselben oder einen größeren Durchmesser aufweist als das Kabel des angeschlossenen Geräts.

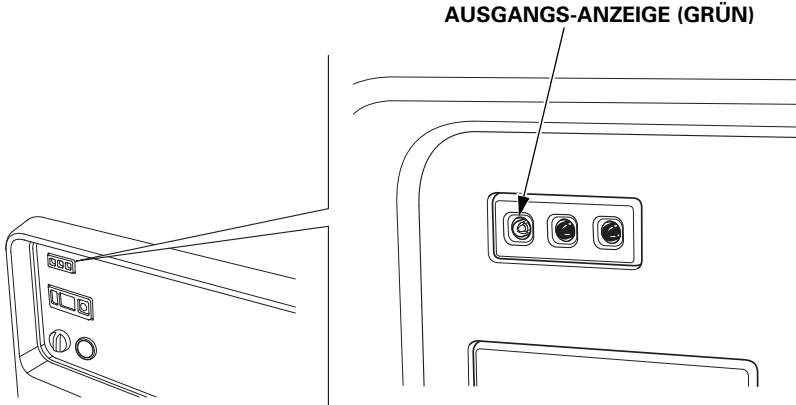
Zum Anschluss eines Geräts mit Erdleiter einen Verlängerungskabelsatz mit Erdleiter verwenden.

Zur Identifizierung des Massepunkts im Stecker siehe Steckdose, Seite 79.

BEDIENUNGSELEMENTE UND MERKMALE

AUSGANGS-Anzeige

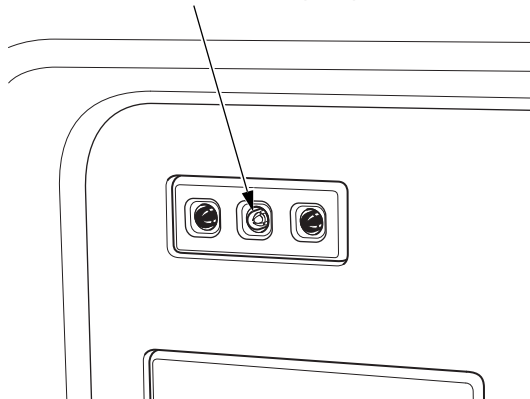
Wenn der Generator normal funktioniert, leuchtet die grüne AUSGANGS-Anzeige. Dies bedeutet, dass Strom an den Steckdosen abgenommen werden kann.



ÜBERLASTALARM-Anzeige

Im Falle einer Überlastung des Generators, eines Kurzschlusses bei einem angeschlossenen Gerät oder einer Überhitzung des Inverters geht die rote ÜBERLASTALARM-Anzeige AN. Wenn der Generator in einem Überlastungszustand arbeitet, bleibt die rote ÜBERLASTALARM-Anzeige AN, etwa fünf Sekunden später wird dann die Stromzufuhr zu jedem angeschlossenen Gerät getrennt, und die grüne AUSGANGS-Anzeige geht AUS.

ÜBERLASTALARM-ANZEIGE (ROT)



BEDIENUNGSELEMENTE UND MERKMALE

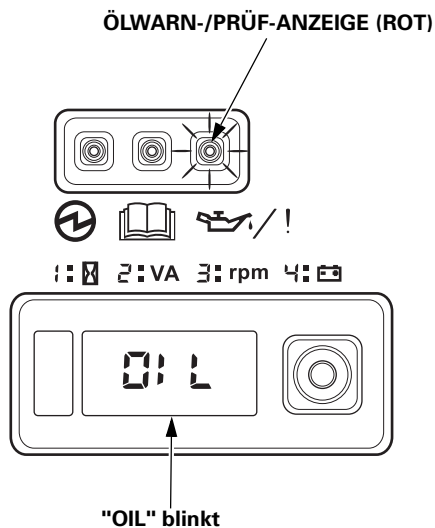
ÖLWARN-/PRÜF-Anzeige

Das Ölwarnsystem verhindert Motorschäden, die durch eine nicht ausreichende Ölmenge im Kurbelgehäuse entstehen können. Bevor der Ölstand im Kurbelgehäuse unter die Sicherheitsgrenze fallen kann, geht die ÖLWARN-/PRÜF-Anzeige AN und das Ölwarnsystem stoppt den Motor automatisch (der HAUPTSCHALTER bleibt in Stellung EIN). Der i-Monitor zeigt "OIL" am Bildschirm an und die ÖLWARN-/PRÜF-Anzeige leuchtet auf.

Falls der Motor stoppt oder die ÖLWARN-/PRÜF-Anzeige AN geht, wenn der MOTORSTART-Knopf gedrückt oder der Startgriff gezogen wird, zuerst den Motorölstand kontrollieren (siehe Seite 54) und erst dann den Fehler an anderer Stelle suchen.

Auch wenn Öl in den Motor nachgefüllt wird, startet der Generator nicht, bis die ÖLWARN-/PRÜF-Anzeige rückgestellt wird. Um die ÖLWARN-/PRÜF-Anzeige zurückzustellen, den HAUPTSCHALTER auf AUS stellen, entsprechend viel Öl nachfüllen (siehe Seite 54), und den HAUPTSCHALTER wieder auf EIN stellen.

Wenn die ÖLWARN-/PRÜF-Anzeige blinkt, wenden Sie sich an Ihren Wartungshändler.



BEDIENUNGSELEMENTE UND MERKMALE

i-Monitor

Der i-Monitor ist eine Benutzer-Schnittstelle, die der Bedienperson (bei laufendem Generator) das Ablesen der Gesamtbetriebszeit in Stunden, des Generatorausgangs, der Motordrehzahl, der Batteriespannung und von Fehlermeldungen ermöglicht. Die Anzeige-Modi können durch Drücken der i-Monitor-Taste umgeschaltet werden.

i-Monitor bei Start

Beim Starten blinken i-Monitor-Display und alle drei Anzeigen gleichzeitig kurz auf. Der Zustand des i-Monitor-Displays und aller drei Anzeigen lässt sich prüfen. Nachdem der Generator läuft, bleiben die grüne AUSGANGS-Anzeige und die i-Monitor-Anzeige eingeschaltet.

Hintergrundbeleuchtung der Anzeige blinkt

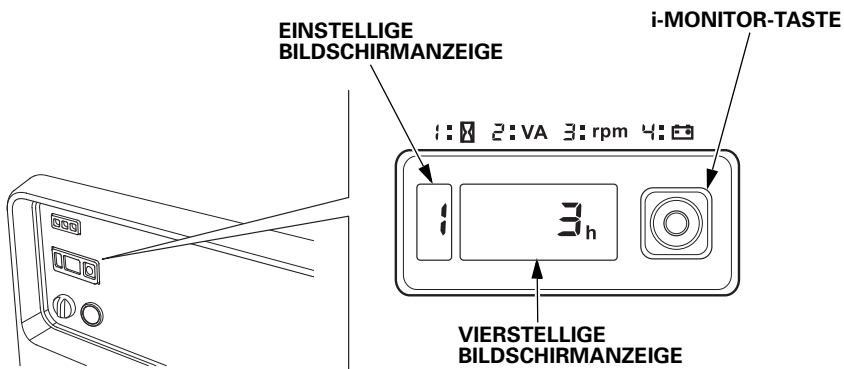
Wenn der Schlüssel ohne Starten des Motors über 30 Sekunden in Stellung EIN gelassen wird, fängt die Anzeige an zu blinken.

i-Monitor-Anzeige

Das Display des i-Monitors ist in zwei Bildschirmanzeigen aufgeteilt. In der einstelligen Bildschirmanzeige wird der i-Monitor-Modus angezeigt, der mit einer Zahl zwischen 1 und 4 angegeben wird. Die vierstellige Bildschirmanzeige gibt die vier Moduswerte oder aktivierte Fehlermeldungen an.

i-Monitor-Anzeigemodus 1 – Gesamtbetriebsstundenzahl

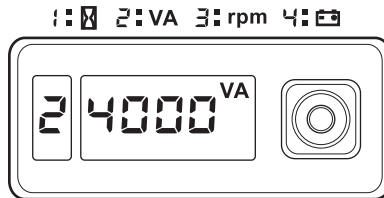
In diesem Modus wird die Gesamtbetriebsstundenzahl des Generators angezeigt. Bei laufendem Generator wird die Zeit stets mitgemessen und die Gesamtbetriebszeit aktualisiert. Wenn die Gesamtbetriebszeit 1 Stunde noch nicht erreicht hat, wird "0" angezeigt. Wenn die Gesamtbetriebszeit 1 Stunde oder mehr beträgt, wird "1" oder "2" usw. angezeigt. Der Wartungsplan beruht auf der angezeigten Gesamtbetriebszeit.



BEDIENUNGSELEMENTE UND MERKMALE

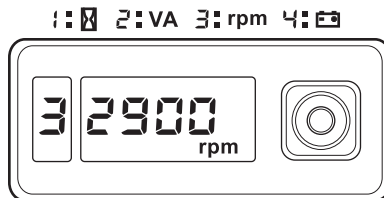
i-Monitor-Anzeigemodus 2 – Leistungsausgang

In diesem Modus wird der ungefähre Generatorausgang angezeigt. Der Ausgang wird in VA (Voltampere) ausgedrückt. Bei der Anzeige des Ausgangswerts handelt es sich nicht um ein exaktes Messergebnis, sie dient nur zum Bezug. Der Leistungsausgang wird erst nach Anschluss eines Verbrauchers an den Generator angezeigt.



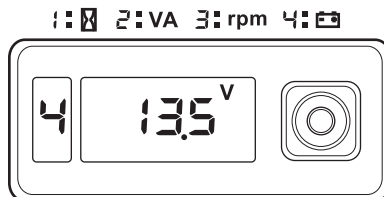
i-Monitor-Anzeigemodus 3 – Motordrehzahl

In diesem Modus zeigt der i-Monitor die Motordrehzahl in Umdrehungen pro Minute (U/min) an.



i-Monitor-Anzeigemodus 4 – Batteriespannung

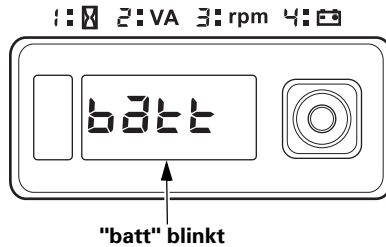
In diesem Modus wird der Batteriezustand in Volt DC (Gleichspannung) angezeigt.



BEDIENUNGSELEMENTE UND MERKMALE

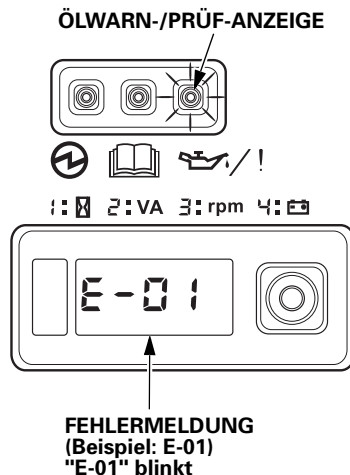
Meldung des i-Monitors für niedrige Batteriespannung

Wenn der MOTORSTART-Knopf gedrückt wird und im Display des i-Monitors "batt" blinkt, ist die Batteriespannung zu niedrig, um den Motor elektrisch starten zu können. Den Generator mit dem Startzug starten. Die Batterie nachladen und überprüfen lassen (siehe Seite 65).



System-Fehlermeldungen des i-Monitors

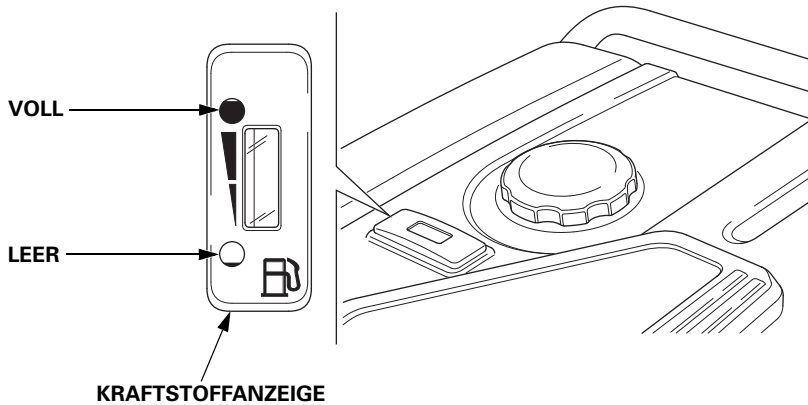
Im Falle einer Funktionsstörung des Generators blinkt die entsprechende Fehlermeldung im Display des i-Monitors. Während eines Betriebs über die Fernsteuerung wird unter Umständen die Fehlermeldung E-01 angezeigt, wenn der MOTORSTART-Knopf länger als 10 Sekunden lang gedrückt wird. Bei der Fehlermeldung E-01 läuft der Motor weiter und die elektrische Leistung wird möglicherweise konstant gehalten. Der normale Fernsteuerungsbetrieb wird wieder hergestellt, nachdem die Fehlermeldung E-01 automatisch gelöscht wurde. Wenn die Fehlermeldung E-01 nicht automatisch gelöscht oder eine sonstige Fehlermeldung angezeigt wird, wenden Sie sich an Ihren Wartungshändler.



BEDIENUNGSELEMENTE UND MERKMALE

Kraftstoffanzeige

Bei der Kraftstoffanzeige handelt es sich um eine mechanische Vorrichtung zur Messung des Kraftstoffstands im Tank. Die rote Anzeige im Fenster gibt den Füllstand in Bezug auf den vollen oder leeren Zustand an. Für eine möglichst lange Betriebszeit sollte der Generator mit vollem Tank gestartet werden. Den Kraftstoffstand prüfen, während der Generator auf einer ebenen Fläche abgestellt ist. Beim Tanken muss der Motor sich immer in Stellung AUS befinden und kalt sein.



VOR INBETRIEBNAHME

SIND SIE STARTBEREIT?

Sie sind selbst für Ihre Sicherheit verantwortlich. Sie können Ihr Verletzungsrisiko erheblich reduzieren, wenn Sie sich ein bisschen Zeit zur Vorbereitung nehmen.

Kenntnisse

Sie sollten dieses Handbuch gelesen und verstanden haben. Eignen Sie sich Kenntnisse zur Funktionsweise der Bedienungselemente an.

Machen Sie sich vor dem Gebrauch mit dem Generator und seiner Betriebsweise vertraut. Sie müssen den Generator in einem Notfall schnell abschalten können.

Wenn der Generator dazu verwendet wird, Geräte mit Strom zu versorgen, ist darauf zu achten, dass diese nicht die Nennbelastung des Generators überschreiten (siehe Seite 41).

IST IHR GENERATOR BETRIEBSBEREIT?

Um Ihre Sicherheit zu gewährleisten, die Einhaltung von Umweltvorschriften sicherzustellen und die Lebensdauer der Ausrüstung zu maximieren, ist der Zustand des Generators vor jeder Inbetriebnahme zu überprüfen. Beheben Sie etwaige Störungen selbst, oder lassen Sie sie von Ihrem Wartungshändler korrigieren, bevor Sie den Generator in Betrieb nehmen.

⚠️ WARNUNG

Unsachgemäße Wartung dieses Generators oder Nichtbehebung eines Problems vor der Inbetriebnahme kann eine Funktionsstörung verursachen, die schwere Verletzungen zur Folge haben kann.

Führen Sie stets eine Überprüfung vor jedem Betrieb durch, und beseitigen Sie etwaige Probleme.

Um Brandgefahr zu verhüten, halten Sie den Generator während des Betriebs mindestens 1 Meter von Gebäudewänden und anderen Geräten fern. Keine brennbaren Materialien in Motornähe ablegen.

Bevor Sie mit den Kontrollen vor dem Betrieb beginnen, vergewissern Sie sich, dass der Generator auf einer festen, ebenen Fläche steht und der HAUPTSCHALTER in Stellung AUS ist.

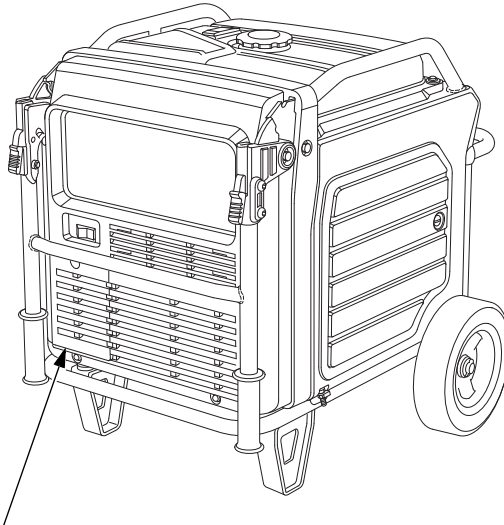
VOR INBETRIEBNAHME

Motor kontrollieren

- Prüfen Sie vor jedem Gebrauch die Außen- und Unterseite des Motors auf Anzeichen von Öl- oder Benzinlecks.
- Den Motorölstand kontrollieren (siehe Seite 54). Bei einem niedrigen Motorölstand wird der Motor über das Ölwarnsystem abgeschaltet.
- Die Luftfilter kontrollieren (siehe Seite 57). Schmutzige Luftfilter behindern den Luftstrom zum Kraftstoffsystem und reduzieren damit die Motor- und Generatorleistung.
- Den Kraftstoffstand kontrollieren (siehe Seite 52). Starten mit vollem Tank trägt zur Beseitigung oder Verringerung von Betriebsunterbrechungen zum Tanken bei.

Batterie-Wartungsabdeckung

Der Generator darf auf keinen Fall mit offener Batterie-Wartungsabdeckung betrieben werden; dies würde zu schlechter Motor- und Generatorleistung führen.



BATTERIE-WARTUNGSABDECKUNG

BETRIEB

VORKEHRUNGEN FÜR SICHEREN BETRIEB

Lesen Sie vor erster Inbetriebnahme des Generators die Kapitel *GENERATOR-SICHERHEIT* (siehe Seite 6) und *VOR INBETRIEBNAHME* (siehe Seite 29) durch.

Aus Sicherheitsgründen darf der Generator nicht in einem geschlossenen Raum, wie z. B. in einer Garage, betrieben werden. Das Generatorabgas enthält giftiges Kohlenmonoxid, das sich in einer geschlossenen Umgebung rasch ansammelt und Übelkeit verursachen bzw. tödliche Folgen haben kann.

WARNUNG

Abgas enthält giftiges Kohlenmonoxid, das in geschlossenen Räumen gefährliche Konzentrationen erreichen kann. Einatmen von Kohlenmonoxid kann Bewusstlosigkeit hervorrufen und zum Tod führen.

Der Generator darf niemals in einem geschlossenen Raum laufen gelassen werden, und auch nicht in einer zum Teil geschlossenen Umgebung, wo sich Menschen aufhalten könnten.

Vor Anschluss eines Wechselstromgeräts oder Stromkabels an den Generator:

- Geerdete 3-Stift-Verlängerungskabel, Werkzeuge und Geräte oder doppelt isolierte Werkzeuge und Geräte verwenden.
- Kabel und Stecker prüfen und bei einer Beschädigung austauschen.
- Sicherstellen, dass das Gerät sich in gutem Betriebszustand befindet. Defekte Geräte und Stromkabel können Stromschläge verursachen.
- Sicherstellen, dass der elektrische Nennwert des Werkzeugs oder des Geräts nicht die Nennleistung des Generators oder der verwendeten Steckdose überschreitet.
- Den Generator mindestens 1 Meter von Gebäuden und anderen Geräten entfernt verwenden.
- Den Generator nicht in einem geschlossenen Raum betreiben.
- Keine brennbaren Materialien in Motornähe ablegen.

BETRIEB

- Der angegebene Höchstwert der Leistungsaufnahme darf an keinem der Anschluss-Stecker überschritten werden.
- Der Generator darf nicht für Verwendungszwecke modifiziert werden, für die er nicht vorgesehen ist. Die folgenden Hinweise sind bei der Benutzung des Generators besonders zu beachten.
- Keine Verlängerung an das Auspuffrohr anschließen.
- Wenn ein Verlängerungskabel erforderlich ist, muss ein widerstandsfähiges, flexibles Kabel mit Gummihülle verwendet werden (IEC 245 oder gleichwertige Qualität).
- Maximale Längen für Verlängerungskabel: 60 m bei einem Kabelquerschnitt von $1,5 \text{ mm}^2$ und 100 m für einen Kabelquerschnitt von $2,5 \text{ mm}^2$. Lange Verlängerungskabel vermindern aufgrund des Kabelwiderstands die Nutzleistung.
- Den Generator stets von anderen elektrischen Kabeln und Versorgungsleitungen entfernt halten.

Nutzungshäufigkeit

Wenn der Generator nur gelegentlich bzw. periodisch betrieben wird (mehr als 4 Wochen vor nächstem Gebrauch), beachten Sie bitte die Zusatzinformationen hinsichtlich Batterie und Kraftstoffverschlechterung im Abschnitt "Wartung der Batterie" des Kapitels *WARTUNG DES GENERATORS* (siehe Seite 62) und im Abschnitt "Kraftstoff" des Kapitels *LAGERUNG* (siehe Seite 67).

ANLASSEN DES MOTORS

Um Brandgefahr zu verhüten, halten Sie den Generator während des Betriebs mindestens 1 Meter von Gebäudewänden und anderen Geräten fern. Keine brennbaren Materialien in Motornähe ablegen.

ACHTUNG

- *Wenn der Motor weniger als 1 Meter von einem Gebäude oder einem anderen Hindernis entfernt betrieben wird, kann dies zu einer Überhitzung und einer Beschädigung des Generators führen.*
- *Damit der Generator ausreichend abkühlen kann, muss über und um den Generator mindestens 1 Meter Freiraum vorhanden sein. Alle Kühlöffnungen offen und frei von Schmutz, Schlamm, Wasser usw. halten. Die Kühlöffnungen befinden sich am Bedienpult und unten am Generator. Wenn die Kühlöffnungen blockiert werden, kann dies zu einer Überhitzung des Generators führen und den Motor, den Inverter oder die Wicklungen beschädigen.*

Beziehen Sie sich auf die **VORKEHRUNGEN FÜR SICHEREN BETRIEB** auf Seite 31 und führen Sie die unter **IST IHR GENERATOR BETRIEBSBEREIT?** aufgeführten Prüfungen aus (siehe Seite 29).

Angaben zum Anschluss von Verbrauchern an den Generator finden Sie unter **WECHSELSTROMBETRIEB** (siehe Seite 39).

1. Sicherstellen, dass alle Geräte von den Wechselstrom-Steckdosen getrennt sind.

BETRIEB

2. Sicherstellen, dass der Eco-Drosselklappenschalter auf AUS gestellt ist, da ansonsten mehr Zeit zum Warmlaufen erforderlich sein wird.

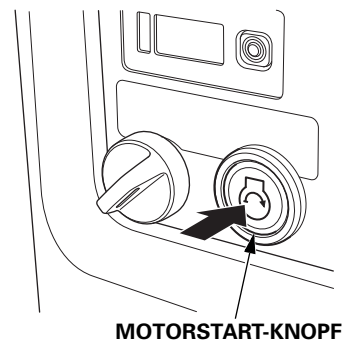
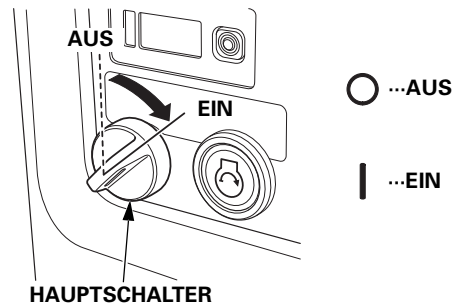
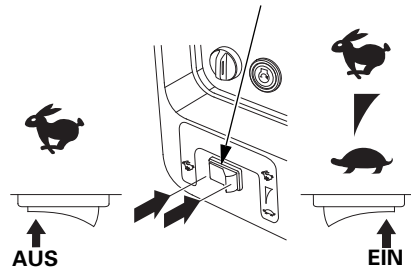
Wenn das Eco-Drosselklappensystem verwendet werden soll, den Eco-Drosselklappenschalter auf EIN stellen, nachdem der Motor 2 oder 3 Minuten warmgelaufen lassen wurde.

3. Den HAUPTSCHALTER auf EIN stellen.

4. Den MOTORSTART-Knopf drücken und dann loslassen. Der MOTORSTART-Knopf wird 5 Sekunden lang betätigt. Sobald der Motor startet, wird der Anlasser automatisch gestoppt.

Wenn der Motor nicht startet, mindestens 10 Sekunden warten und dann noch einmal versuchen.

ECO-DROSSELKLAPPENSCHALTER



Den HAUPTSCHALTER nicht auf EIN gestellt lassen, wenn der Generator nicht in Betrieb ist, da ansonsten die Batterie leer wird. Den HAUPTSCHALTER bei Nichtgebrauch auf AUS stellen.

- Wenn die Batteriespannung zum Drehen des Starters nicht ausreicht, den Startzug einsetzen.

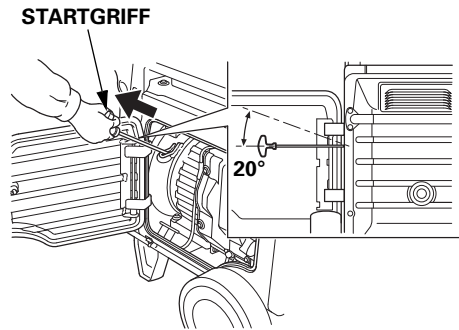
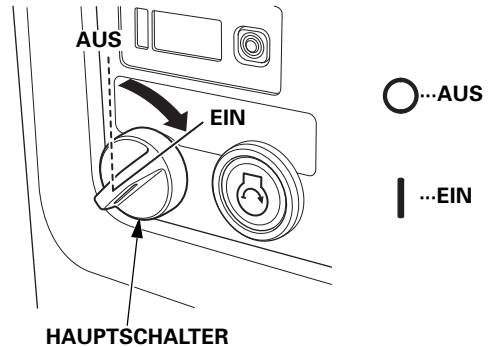
- a. Den HAUPTSCHALTER auf EIN stellen.
- b. Die rechte Wartungsabdeckung durch Drehen ihrer Verriegelung im Gegenuhrzeigersinn öffnen.
- c. Den Startgriff leicht ziehen, bis Widerstand zu spüren ist, dann den Griff kräftig in Pfeilrichtung durchziehen, wie gezeigt.

ACHTUNG

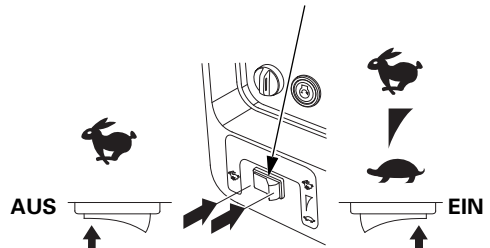
- *Beim Ziehen des Startgriffs 20 Grad aus der Horizontalen nicht überschreiten.*
- *Den Startgriff nicht gegen den Motor zurückschlagen lassen. Langsam zurückführen, damit die Startvorrichtung nicht beschädigt wird.*
- *Das Startseil nicht am Generator reiben lassen, da es sonst schnell verschleißt.*

- d. Die rechte Wartungsabdeckung durch Drehen ihrer Verriegelung im Uhrzeigersinn schließen.

5. Für Gebrauch des Eco-Drosselklappensystems den Eco-Drosselklappenschalter nach 2- bis 3-minütigem Warmlauf des Motors auf EIN stellen.



ECO-DROSSELKLAPPENSCHALTER



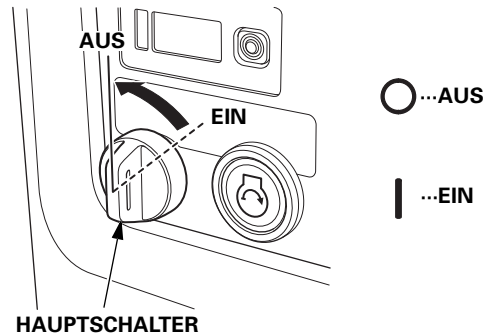
BETRIEB

STOPPEN DES MOTORS

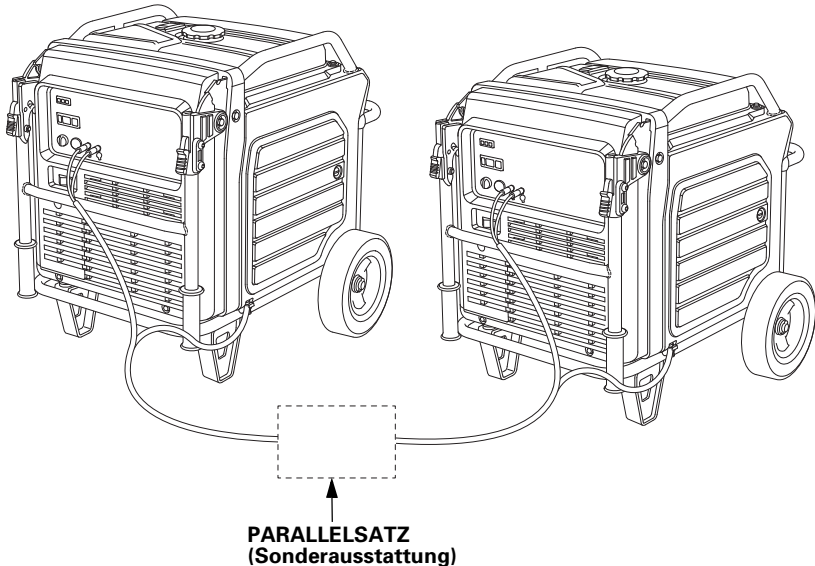
Zum Stoppen des Motors in einem Notfall stellen Sie einfach den HAUPTSCHALTER auf AUS.

Bei normalen Verhältnissen wenden Sie das folgende Verfahren an.

1. Den HAUPTSCHALTER auf AUS stellen.

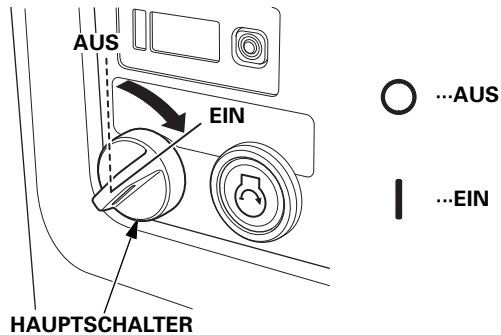


2. Alle Geräte von den Wechselstrom-Steckdosen des Generators trennen.
3. Wenn für einen Parallelbetrieb zwei Generatoren angeschlossen wurden, das Parallelbetriebskabel nach dem Stoppen der Motoren trennen, wenn der Parallelbetrieb nicht fortgesetzt werden soll.



ANLASSEN DES MOTORS mit FERNSTEUERUNG (Optionales Teil)

1. Den HAUPTSCHALTER am Generator auf EIN stellen.



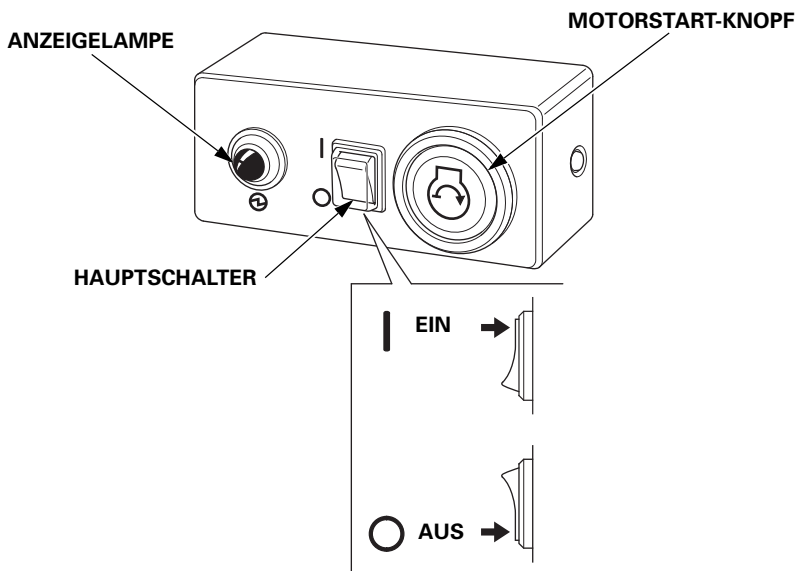
2. Den HAUPTSCHALTER an der Fernsteuerung auf EIN stellen.

3. Den MOTORSTART-Knopf drücken und dann loslassen.

Der MOTORSTART-Knopf wird 5 Sekunden lang betätigt. Sobald der Motor startet, wird der Anlasser automatisch gestoppt.

Die Anzeigelampe geht beim Starten des Motors an.

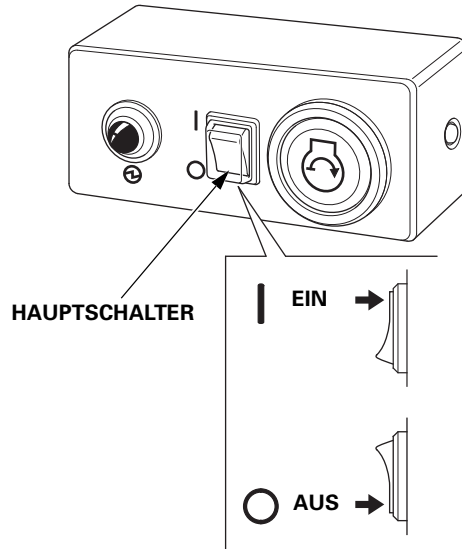
Wenn der Motor nicht startet, mindestens 10 Sekunden warten und dann noch einmal versuchen.



BETRIEB

STOPPEN DES MOTORS mit FERNSTEUERUNG (Optionales Teil)

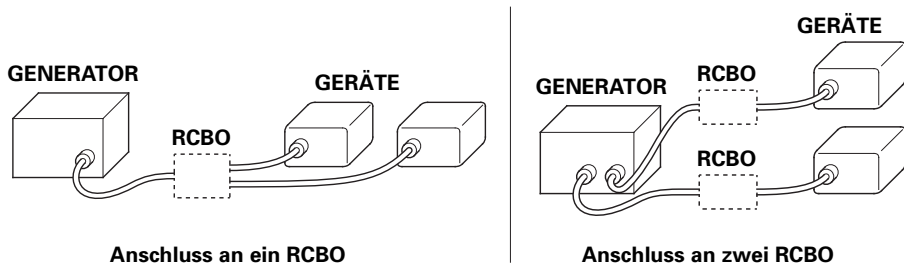
1. Den HAUPTSCHALTER an der Fernsteuerung auf AUS stellen.



WECHSELSTROMBETRIEB

Bei Gebrauch von zwei oder mehr Geräten einen Fehlerstromschutzschalter mit Überlastschutz (RCBO) anschließen, der eine Erdfehlerstromerkennung von 30 mA und eine Stromabschaltgeschwindigkeit von unter 0,4 Sekunden bei mehr als 30 A Ausgangsstrom aufweist.

Vor Gebrauch sollten Sie die Anleitung des jeweiligen RCBO-Herstellers lesen und befolgen.



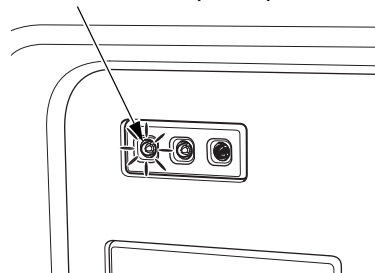
Wenn ein Gerät Abnormalitäten aufweist, träge wird oder plötzlich stoppt, dieses sofort ausschalten. Das Gerät trennen und feststellen, ob die Störung am Gerät liegt, oder ob die Nennlastkapazität des Generators überschritten worden ist.

ACHTUNG

Eine hohe Überlastung, die ständig die rote ÜBERLASTALARM-Anzeige aufleuchten lässt, kann den Generator beschädigen. Durch eine geringfügigere Überlastung, die ein vorübergehendes Leuchten der roten ÜBERLASTALARM-Anzeige verursacht, kann die Lebensdauer des Generators verkürzt werden.

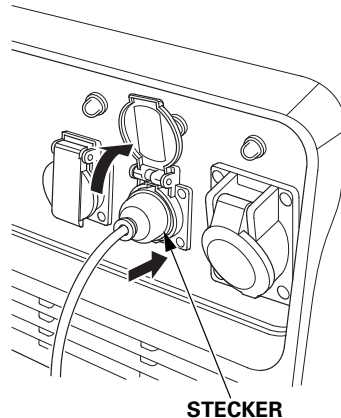
1. Den Motor starten und sicherstellen, dass die grüne AUSGANGS-Anzeige aufleuchtet.

AUSGANGS-ANZEIGE (GRÜN)



2. Das Gerät einstecken.

Die meisten motorgetriebenen Geräte erfordern für das Anlaufen mehr als ihre Nennwattleistung.



Bei einer Überlastung des Generators, einem Kurzschluss bei einem angeschlossenen Gerät oder einer Überhitzung des Inverters geht die rote ÜBERLASTALARM-Anzeige AN. Die rote ÜBERLASTALARM-Anzeige bleibt AN, etwa fünf Sekunden später wird dann die Stromzufuhr zu jedem angeschlossenen Gerät getrennt, und die grüne AUSGANGS-Anzeige geht AUS. Den Motor stoppen und dem Problem nachgehen.

Herausfinden, ob die Ursache sich auf einen Kurzschluss in einem angeschlossenen Gerät, eine Überlastung oder einen überhitzten Inverter zurückführen lässt. Abhilfe vornehmen und den Generator erneut anlassen.

Bevor ein Stromverbraucher am Generator angeschlossen wird, sicherstellen, dass das Gerät sich in einwandfreiem Zustand befindet, und dass die Nennleistung nicht höher als die Nennleistung des Generators liegt. Anschließend den Generator starten und das Stromkabel des Geräts anschließen.

Beim Starten eines Elektromotors kann die rote ÜBERLASTALARM-Anzeige aufleuchten. Dies ist normal, wenn die rote ÜBERLASTALARM-Anzeige innerhalb von ca. fünf Sekunden wieder AUS geht. Wenn die rote ÜBERLASTALARM-Anzeige AN bleibt, wenden Sie sich an Ihren Wartungshändler.

Anschluss von Wechselstromverbrauchern

Vor Anschluss eines Geräts oder Stromkabels an den Generator:

- Auf guten Betriebszustand achten. Defekte Geräte und Stromkabel können Stromschläge verursachen.
- Wenn ein Gerät Abnormalitäten aufweist, träge wird oder plötzlich stoppt, dieses sofort ausschalten. Das Gerät abtrennen und feststellen, ob die Störung am Gerät liegt, oder ob die Nennlastkapazität des Generators überschritten worden ist.

Die meisten Gerätemotoren verbrauchen mehr als ihre angegebene Nennleistungsaufnahme zum Anlaufen.

Sicherstellen, dass der elektrische Nennwert des Werkzeugs oder Geräts die maximale Nennleistung des Generators nicht überschreitet.

Die Höchstleistung beträgt:

7,0 kVA

Bei Dauerbetrieb darf die Nennleistung nicht überschritten werden.

Die Nennleistung beträgt:

5,5 kVA

In jedem Fall ist der gesamte Strombedarf (VA) aller angeschlossenen Geräte zu berücksichtigen. Geräte- und Elektrowerkzeug-Hersteller geben den Nennwert normalerweise in der Nähe der Modell- oder Seriennummer an.

ACHTUNG

Durch eine erhebliche Überlastung wird der Schaltkreisschutz geöffnet. Geringfügigere Überlastungen aktivieren den Schaltkreisschutz unter Umständen NICHT, können jedoch die Nutzungsdauer des Generators reduzieren.

BETRIEB

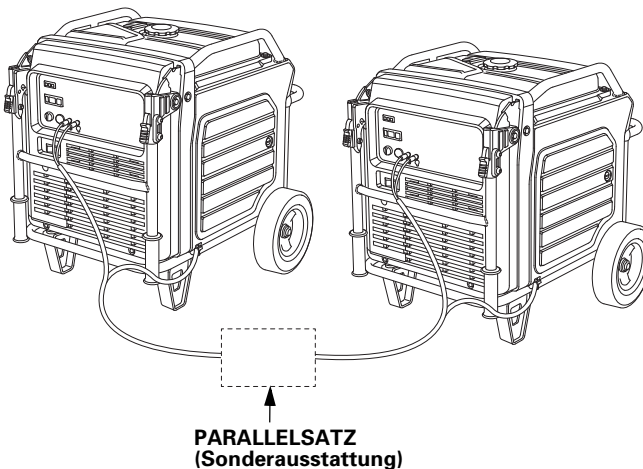
WECHSELSTROM-PARALLELBETRIEB

Bevor ein Stromverbraucher an einen der Generatoren angeschlossen wird, sicherstellen, dass das Gerät sich in einwandfreiem Zustand befindet, und dass die Nennleistung nicht höher als die Nennleistung der Steckdose liegt.

Die meisten motorgetriebenen Geräte erfordern zum Anlaufen mehr Strom als die Nennleistung. Beim Starten eines Elektromotors kann die ÜBERLASTALARM-Anzeige (rot) AN gehen. Dies ist normal, wenn die ÜBERLASTALARM-Anzeige (rot) innerhalb von etwa 5 Sekunden AUS geht. Wenn die ÜBERLASTALARM-Anzeige (rot) AN bleibt, wenden Sie sich an Ihren Wartungshändler.

Während des Parallelbetriebs sollte der Eco-Drosselklappenschalter sich an beiden Generatoren in derselben Stellung befinden.

1. Das Parallelbetriebskabel unter Befolgung der mit dem Parallelsatz bereitgestellten Anweisungen zwischen den beiden EU70is Generatoren anschließen.



2. Den Motor an jedem Generator starten und sicherstellen, dass die AUSGANGS-Anzeige (grün) AN geht.
3. Das Gerät unter Befolgung der mit dem Parallelsatz bereitgestellten Anweisungen einstecken.
4. Das Gerät einschalten.

Wenn die Generatoren überlastet werden (siehe Seite 45) oder ein Kurzschluss in einem angeschlossenen Gerät vorliegt, gehen die ÜBERLASTALARM-Anzeigen (rot) AN. Die ÜBERLASTALARM-Anzeige (rot) bleibt AN, etwa fünf Sekunden später wird dann die Stromzufuhr zu jedem angeschlossenen Gerät getrennt, und die AUSGANGS-Anzeigen (grün) gehen AUS. Beide Motoren stoppen und dem Problem nachgehen.

Herausfinden, ob die Ursache sich auf einen Kurzschluss in einem angeschlossenen Gerät oder auf eine Überlastung zurückführen lässt. Abhilfe vornehmen und die Generatoren erneut anlassen.

Anwendungen, Wechselstrom-Parallelbetrieb

Mithilfe eines Parallelsatzes (Sonderausstattung) können zwei EU70is Generatoren miteinander verbunden werden, um damit die verfügbare Leistung zu erhöhen.

Die mit dem Parallelsatz bereitgestellten Anweisungen befolgen.
Vor Anschluss eines Geräts oder Stromkabels an den Generator:

- Auf guten Betriebszustand achten. Defekte Geräte und Stromkabel können Stromschläge verursachen.
- Wenn ein Gerät Abnormalitäten aufweist, träge wird oder plötzlich stoppt, dieses sofort ausschalten. Das Gerät abtrennen und feststellen, ob die Störung am Gerät liegt, oder ob die Nennlastkapazität des Generators überschritten worden ist.
- Es dürfen niemals unterschiedliche Generatormodelle miteinander verbunden werden.
- Bei einem Parallelbetrieb, bei dem ein EU70is mit einem weiteren EU70is Generator verbunden wird, nur einen von Honda zugelassenen Parallelsatz (Sonderausstattung) verwenden.
- Das Parallelbetriebskabel niemals anschließen oder abziehen, während der Generator sich in Betrieb befindet.
- Beim Betrieb eines einzelnen Generators muss das Parallelbetriebskabel von beiden Generatoren getrennt werden.

Die meisten Gerätemotoren verbrauchen mehr als ihre angegebene Nennleistungsaufnahme zum Anlaufen.

Sicherstellen, dass der elektrische Nennwert des Werkzeugs oder Geräts die maximale Nennleistung des Generators nicht überschreitet.

Maximale Leistung bei Parallelbetrieb:

14,0 kVA (Die für den Parallelsatz geltenden Anweisungen zur Grenzlast beachten.)

Bei Dauerbetrieb darf die Nennleistung nicht überschritten werden. Die Nennleistung bei Parallelbetrieb beträgt:

11,0 kVA (Die für den Parallelsatz geltenden Anweisungen zur Grenzlast beachten.)

In jedem Fall ist der gesamte Strombedarf (VA) aller angeschlossenen Geräte zu berücksichtigen. Geräte- und Elektrowerkzeug-Hersteller geben den Nennwert normalerweise in der Nähe der Modell- oder Seriennummer an.

ACHTUNG

Eine hohe Überlastung, die ständig die rote ÜBERLASTALARM-Anzeige aufleuchten lässt, kann den Generator beschädigen. Durch eine geringfügigere Überlastung, die ein vorübergehendes Leuchten der roten ÜBERLASTALARM-Anzeige verursacht, kann die Lebensdauer des Generators verkürzt werden.

BETRIEB

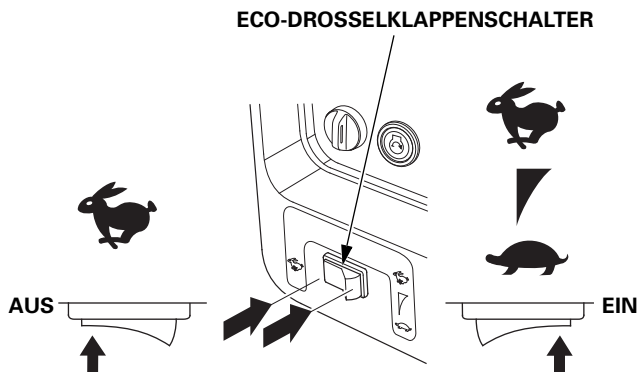
ECO-DROSSELKLAPPENSYSTEM

Wenn der Schalter sich in EIN-Stellung befindet, wird die Motordrehzahl automatisch gesenkt, wenn die Last reduziert wird bzw. Verbraucher abgeschaltet oder getrennt werden. Wenn Geräte wieder eingeschaltet oder wieder angeschlossen werden, nimmt der Motor wieder die angemessene Drehzahl auf. In der AUS-Stellung wird das Eco-Drosselklappensystem nicht betrieben.

Wenn Geräte am Generator angeschlossen sind, für die zum Anlaufen ein hoher Energiebedarf vorliegt, kann es sein, dass der Motor nicht seine normale Betriebsdrehzahl erreichen kann. Den Eco-Drosselklappenschalter auf AUS stellen und das Gerät am Generator anschließen. Wenn der Motor noch immer nicht seine normale Betriebsdrehzahl erreicht, muss geprüft werden, dass das Gerät nicht die Nennlastkapazität des Generators überschreitet.

Bei einem gleichzeitigen Anschließen von Geräten mit hoher Leistungsaufnahme ist der Eco-Drosselklappenschalter auf AUS zu stellen, um Spannungsschwankungen abzuschwächen.

Das Eco-Drosselklappensystem eignet sich nicht für Geräte oder Werkzeuge, für die nur eine Momentanleistung erforderlich ist. Wenn das Werkzeug oder das Gerät schnell auf EIN oder AUS gestellt wird, sollte der Eco-Drosselklappenschalter auf AUS gestellt sein.



RESERVESTROM

Anschluss an das elektrische Netz eines Gebäudes

Reservestromanschlüsse am elektrischen Versorgungssystem eines Gebäudes müssen von einem qualifizierten Elektriker vorgenommen werden. Der Anschluss muss die Generatorversorgung von der Netzspannung trennen und sämtliche zutreffenden Gesetze sowie elektrischen Vorschriften erfüllen.

⚠️ WARNUNG

Falsche Anschlüsse an das elektrische Leitungssystem eines Gebäudes können zur Einspeisung von Strom vom Generator in das Netz führen.

Dieser Vorgang kann zu lebensgefährlichen Stromschlägen für Beschäftigte des Stromversorgungsunternehmens oder andere Personen führen, die während eines Stromausfalls Netzleitungen berühren. Außerdem kann der Generator bei erneuter Zuschaltung der Netzspannung explodieren, Feuer fangen oder einen Brand verursachen.

Bevor Sie derartige Stromanschlüsse herstellen, setzen Sie sich mit dem Stromversorgungsunternehmen oder einem Fachmann in Verbindung.

In einigen Bereichen verlangen örtliche Gesetze die Registrierung des Generators bei den Stromerzeugerfirmen. Hierfür die örtlichen Bestimmungen für die Registrierung und die Betriebsbedingungen einholen.

Systemmasse

Dieser Generator umfasst eine Systemmasse, mit der Generatorrahmenbauteile an Masseklemmen in den Wechselstrom-Steckdosen angeschlossen werden. Die Systemmasse ist nicht mit dem Wechselstrom-Nullleiter verbunden.

Sonderanforderungen

Für den vorgesehenen Verwendungszweck des Generators können bestimmte Gesetze, örtliche Vorschriften oder Bestimmungen gelten. Wenden Sie sich bitte an einen qualifizierten Elektriker, einen elektrischen Prüfer oder an die örtliche Behörde mit rechtlicher Zuständigkeit.

- In einigen Gebieten müssen Generatoren bei den örtlichen Elektrizitätsversorgungsunternehmen registriert werden.
- Wenn der Generator an einer Baustelle verwendet wird, müssen unter Umständen weitere Vorschriften beachtet werden.

WARTUNG DES GENERATORS

DIE BEDEUTSAMKEIT RICHTIGER WARTUNG

Gute Wartung ist für sicheren, wirtschaftlichen und störungsfreien Betrieb von ausschlaggebender Bedeutung. Sie trägt auch zur Verringerung der Luftverschmutzung bei.

Um Ihnen bei der korrekten Pflege des Generators zu helfen, enthalten die folgenden Seiten einen Wartungsplan, routinemäßige Überprüfungsverfahren sowie einfache Wartungsverfahren mit grundlegenden Handwerkzeugen. Andere Wartungsarbeiten, die schwieriger sind oder Spezialwerkzeuge erfordern, sollten Sie Fachpersonal, wie z. B. einem Honda-Techniker oder einem qualifizierten Mechaniker, überlassen.

Der Wartungsplan gilt für normale Betriebsbedingungen. Wenn Sie den Generator unter erschwerten Bedingungen, z. B. im Dauerbetrieb bei hoher Belastung oder hohen Temperaturen, oder unter staubigen Bedingungen betreiben, lassen Sie sich von Ihrem Wartungshändler hinsichtlich Ihrer individuellen Anforderungen beraten.

WARNUNG

Unsachgemäße Wartung oder Nichtbehebung eines Problems vor der Inbetriebnahme kann eine Funktionsstörung verursachen, die schwere oder lebensgefährliche Verletzungen zur Folge haben kann.

Gehen Sie stets gemäß den Inspektions- und Wartungsempfehlungen/-plänen in diesem Handbuch vor.

Denken Sie daran, dass ein autorisierter Honda-Wartungshändler Ihren Generator am besten kennt und für Wartungs- und Reparaturarbeiten optimal ausgerüstet ist.

Um höchste Qualität und Zuverlässigkeit zu gewährleisten, verwenden Sie nur neue Honda Original-Ersatzteile oder gleichwertige Teile für Reparatur und Austausch.

WARTUNG DES GENERATORS

SICHERHEIT BEI WARTUNGSARBEITEN

Nachfolgend sind einige der wichtigsten Sicherheitsvorkehrungen aufgeführt. Es ist jedoch nicht möglich, alle denkbaren Gefahren, die bei Wartungsarbeiten auftreten können, zu erwähnen und entsprechende Vorsichtsmaßnahmen zu beschreiben. Nur Sie können entscheiden, ob Sie sich eine bestimmte Aufgabe zutrauen oder nicht.

WARNUNG

Wenn die Wartungsanweisungen und Vorsichtsmaßnahmen nicht genau befolgt werden, besteht die Gefahr ernsthafter Verletzungen oder des Lebensverlustes.

Befolgen Sie stets die im Handbuch angegebenen Verfahren und Vorsichtsmaßnahmen.

Sicherheitsvorkehrungen

Bevor mit einer Wartungs- oder Reparaturarbeit begonnen wird, muss der Motor abgestellt sein. Damit können mögliche Gefahren ausgeschaltet werden:

–**Kohlenmonoxidvergiftung durch Abgase.**

Arbeiten Sie im Freien, weg von offenen Fenstern oder Türen.

–**Verbrennungen durch heiße Teile.**

Lassen Sie den Motor und die Auspuffanlage abkühlen, bevor Sie entsprechende Teile anfassen.

–**Verletzungen durch Kontakt mit beweglichen Teilen.**

Lassen Sie den Motor nur dann laufen, wenn Sie dazu angewiesen werden.

- Lesen Sie zuerst die Anweisungen, und vergewissern Sie sich, dass Sie über die notwendigen Werkzeuge und Kenntnisse verfügen.
- Um die Gefahr eines Brandes oder einer Explosion zu minimieren, lassen Sie beim Arbeiten in der Nähe von Benzin besondere Vorsicht walten. Zum Reinigen von Teilen nur ein nicht entflammendes Lösungsmittel, kein Benzin verwenden. Zigaretten, Funken und Flammen von allen Kraftstoffteilen fern halten.

WARTUNG DES GENERATORS

WARTUNGSPLAN

REGELMÄSSIGES WARTUNGSINTERVALL (3) GEGENSTAND Wartung bei angegebenem Monat oder Betriebsstundenintervall, je nachdem, was zuerst eintritt.	Bei jedem Einsatz	Erster Monat oder 20 Std.	Alle 3 Monate oder 50 Std.	Alle 6 Monate oder 100 Std.	Jedes Jahr oder alle 300 Std.	Seite
Motoröl	Stand prüfen	o				54
	Wechseln		o		o	55
Luftfilter	Prüfen	o				57
	Reinigen		o (1)			58
	Austauschen				o (*)	57
Zündkerze	Prüfen - einstellen			o		59
	Austauschen				o	59
Funkenschutz	Reinigen			o		61
Ventilspiel	Prüfen - einstellen				o (2)	—
Verbrennungskammer	Reinigen	Immer nach 1.000 Std. (2)				—
Kraftstofftank	Reinigen	Alle 2 Jahre oder 1.000 Std. (2)				—
Kraftstofffilter	Wechseln	Alle 2 Jahre oder 1.000 Std. (2) (4)				—
Kraftstoffleitung	Prüfen	Alle 2 Jahre (gegebenenfalls austauschen) (2) (4)				—

HINWEIS:

(*) Nur den Papiereinsatz auswechseln.

(1) Unter staubigen Bedingungen ist die Wartung häufiger durchzuführen.

(2) Diese Wartungsarbeiten sollten von Ihrem Wartungshändler ausgeführt werden, es sei denn, Sie verfügen über die richtigen Werkzeuge und Sie sind technisch versiert. Beschreibungen der einzelnen Wartungsverfahren finden Sie im Honda-Werkstatthandbuch.

(3) Bei kommerzieller Nutzung sind die Betriebsstunden zu notieren, um die korrekten Wartungsintervalle einzuhalten.

(4) Wenn die Kraftstofffiltertülle oder die Reglertülle Risse oder Bruchstellen aufweist, diese austauschen.

Dieser Generator ist mit einem Katalysator ausgestattet. Wenn der Motor nicht ordnungsgemäß gewartet wird, kann der im Auspufftopf befindliche Katalysator seine Wirksamkeit verlieren.

WARTUNG DES GENERATORS

TANKEN

Bei gestopptem Motor die Kraftstoffanzeige prüfen. Bei niedrigem Kraftstoffstand nachtanken.

WARNUNG

Benzin ist äußerst feuergefährlich und explosiv.

Mit Benzin vorsichtig umgehen. Verbrennungen und ernsthafte Verletzungen können verursacht werden.

- Den Motor stoppen und Wärme, Funken sowie Flammen fern halten.
- Benzin nur im Freien handhaben.
- Verschüttetes Benzin ist unverzüglich aufzuwischen.

ACHTUNG

Kraftstoff kann Lack und Kunststoff beschädigen. Achten Sie beim Tanken darauf, dass Sie keinen Kraftstoff verschütten. Schäden aufgrund verschütteten Benzins sind nicht von der Garantie abgedeckt.

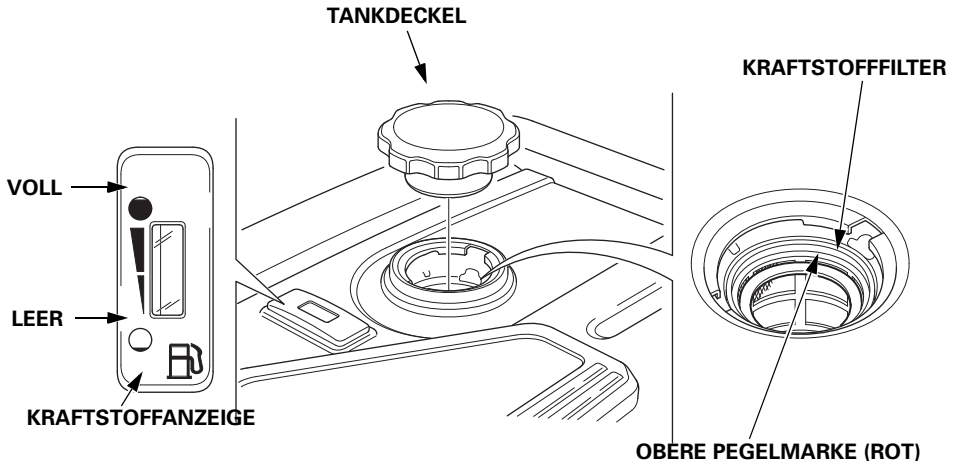
In einem gut belüfteten Bereich bei gestopptem Motor tanken. Den Motor abkühlen lassen, wenn er vorher in Betrieb war. Sorgfältig tanken, um Verschütten von Kraftstoff zu vermeiden.

Den Kraftstofftank nicht über die obere Pegelmarke (rot) am Kraftstofffilter füllen.

Betanken Sie den Motor niemals in einem Gebäude, wo die Benzindämpfe Flammen oder Funken erreichen können. Benzin von Zündflammen, Grills, Elektrogeräten, Elektrowerkzeugen usw. fern halten.

Verschütteter Kraftstoff stellt nicht nur eine Feuergefahr dar, sondern verursacht auch Umweltschäden. Verschüttetes Benzin ist unverzüglich aufzuwischen.

WARTUNG DES GENERATORS



Nach dem Auffüllen den Tankdeckel wieder sicher anbringen.

KRAFTSTOFFEMPFEHLUNGEN

Dieser Motor ist auf bleifreies Normalbenzin mit einer Research-Oktananzahl von 89 oder höher ausgelegt.

Nur bleifreies Benzin verwenden, da der Katalysator ansonsten seine Wirksamkeit verliert und sich dies negativ auf die Abgasemissionen auswirkt.

Niemals abgestandenes oder verschmutztes Benzin bzw. ein Öl/Benzin-Gemisch verwenden. Darauf achten, dass weder Schmutz noch Wasser in den Kraftstofftank gelangt.

Sie können bleifreies Normalbenzin mit maximal 10 Volumenprozent Ethanol (E10) oder maximal 5 Volumenprozent Methanol verwenden. Methanol muss auch Kosolventen und Korrosionsinhibitoren enthalten.

Durch den Gebrauch von Kraftstoffen mit einem höheren Ethanol- oder Methanolgehalt als oben angegeben können Start- und/oder Leistungsprobleme entstehen. Es kann auch zu Beschädigungen von Metall-, Gummi- und Kunststoffteilen des Kraftstoffsystems kommen.

Motorschäden und Leistungsstörungen wegen Gebrauchs eines Kraftstoffs mit höheren Ethanol- oder Methanol-Prozentsätzen als oben angegeben und wegen Gebrauchs von verbleitem Benzin sind von der Garantie nicht abgedeckt.

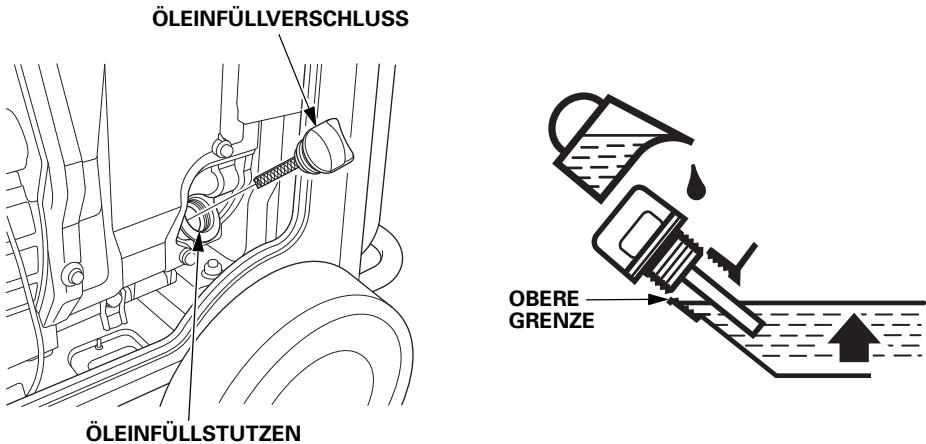
Wenn die Ausrüstung nur selten betrieben wird, beachten Sie bitte die Zusatzinformationen hinsichtlich Kraftstoffverschlechterung im Abschnitt "Kraftstoff" des Kapitels *LAGERUNG* (siehe Seite 67).

WARTUNG DES GENERATORS

PRÜFUNG DES MOTORÖLSTANDS

Den Motorölstand prüfen. Der Generator muss hierzu auf ebenem Boden stehen und der Motor abgestellt sein.

1. Die rechte Wartungsabdeckung durch Drehen ihrer Verriegelung im Gegenuhrzeigersinn öffnen.
2. Den Öleinfüllverschluss entfernen.
3. Den Ölstand kontrollieren. Wenn das Öl nicht bis zur oberen Füllstandgrenze steht, empfohlenes Öl bis zur oberen Füllstandgrenze am Öleinfüllstutzen einfüllen (siehe Seite 56).
4. Den Öleinfüllverschluss wieder sicher anbringen.
5. Die rechte Wartungsabdeckung durch Drehen ihrer Verriegelung im Uhrzeigersinn schließen.



Das Ölwarnsystem stoppt den Motor automatisch, bevor der Ölstand unter das sichere Minimalniveau sinken kann. Um jedoch die Unannehmlichkeit einer plötzlichen Abschaltung zu vermeiden, sollten Sie den Ölstand regelmäßig überprüfen.

MOTORÖLWECHSEL

Das Motoröl bei warmem Motor ablassen, um ein schnelles und vollständiges Herauslaufen zu gewährleisten.

1. Die rechte Wartungsabdeckung durch Drehen ihrer Verriegelung im Gegenuhrzeigersinn öffnen.
2. Unter den Generator greifen und die schwarze Gummidichtung unter der Ölablassschraube entfernen.
3. Einen geeigneten Behälter zum Auffangen des Öls unter den Generator stellen.
4. Den Öleinfüllverschluss entfernen.
5. Ölablassschraube und Dichtscheibe entfernen und das Öl vollständig ablaufen lassen.
6. Die Ölablassschraube zusammen mit einer neuen Dichtscheibe anbringen. Die Schraube gut festziehen.
7. Unter den Generator greifen und die schwarze Gummidichtung wieder anbringen.

ACHTUNG

Eine unsachgemäße Entsorgung des Motoröls kann Umweltschäden verursachen.

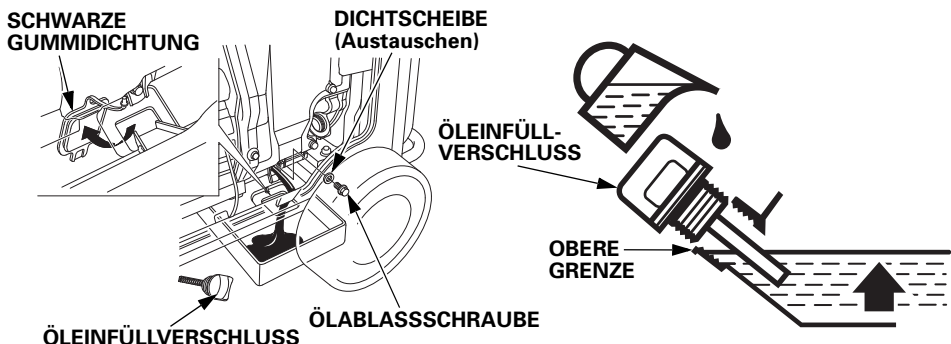
Wenn Sie den Ölwechsel selbst vornehmen, entsorgen Sie das Altöl bitte ordnungsgemäß. Das Altöl in einem verschlossenen Behälter einem Recycling-Center übergeben. Altöl weder in den Abfall geben, noch in die Kanalisation, in einen Abfluss oder auf den Erdboden schütten.

8. Bei waagrecht stehendem Generator empfohlenes Öl (siehe Seite 56) bis zur oberen Füllstandgrenze am Öleinfüllstutzen nachfüllen.

Maximale Ölfüllmenge: 1,1 L

9. Den Öleinfüllverschluss wieder sicher anbringen.
10. Die rechte Wartungsabdeckung durch Drehen ihrer Verriegelung im Uhrzeigersinn schließen.

Nach dem Kontakt mit Altöl die Hände gründlich mit Wasser und Seife waschen.



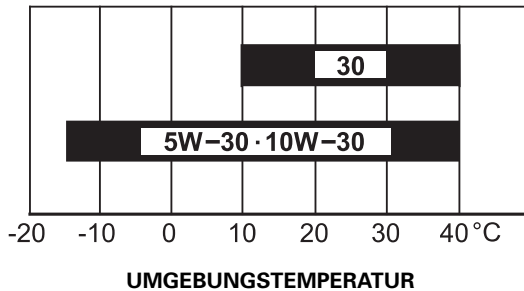
WARTUNG DES GENERATORS

MOTORÖLEMPFEHLUNGEN

Das Öl ist ein ausschlaggebender Faktor für die Leistung und Lebensdauer des Motors.

Motoröl für Viertaktmotoren verwenden, das die Anforderungen für API-Serviceklasse SE oder höher (bzw. gleichwertig) erfüllt oder überschreitet. Prüfen Sie stets das API-SERVICE-Etikett am Ölbehälter, um sicherzugehen, dass es die Buchstaben SE oder die einer höheren Klasse (bzw. gleichwertig) enthält.

SAE 10W-30 wird für allgemeinen Gebrauch empfohlen. Andere in der Tabelle angegebene Viskositäten können verwendet werden, wenn die durchschnittliche Temperatur in Ihrem Gebiet innerhalb des empfohlenen Bereichs liegt.

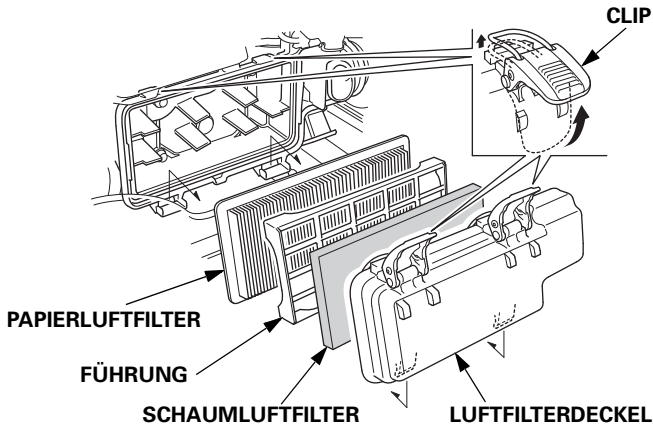


Vor dem Gebrauch lesen Sie bitte die Anweisung auf dem Ölbehälter.

WARTUNG DES GENERATORS

WARTUNG LUFTFILTER

1. Die linke Wartungsabdeckung durch Drehen ihrer Verriegelung im Gegenuhrzeigersinn öffnen.
2. Die Luftfilterdeckelklammern aufschnappen und den Luftfilterdeckel abnehmen.



3. Schaumluftfilter:
 - a. Den Schaumluftfilter vom Luftfilterdeckel abnehmen.
 - b. Den Schaumluftfilter prüfen. Er muss sich in gutem Zustand befinden und sauber sein.
Den Schaumluftfilter bei Verschmutzung wie auf Seite 58 beschrieben reinigen.
Den Schaumluftfilter auswechseln, wenn er beschädigt ist.
 - c. Den Schaumluftfilter wieder am Luftfilterdeckel anbringen.
4. Papierluftfilter:
 - a. Die Führung ausbauen.
 - b. Wenn der Papierluftfilter verschmutzt ist, diesen durch einen neuen ersetzen.
Den Papierluftfilter nicht reinigen.
5. Die Führung und den Luftfilterdeckel wieder einbauen.
6. Die linke Wartungsabdeckung schließen.

ACHTUNG

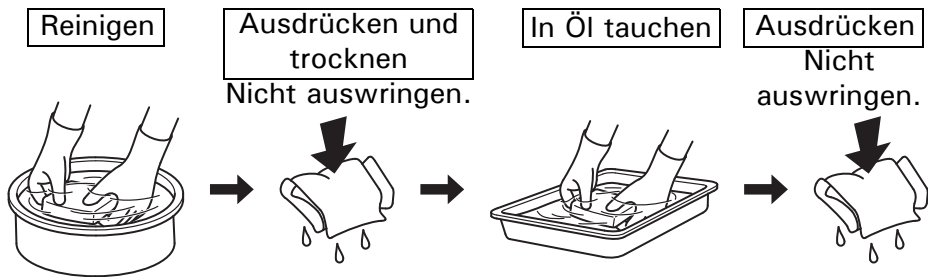
Den Motor ohne Luftfilter oder mit beschädigten Luftfiltern laufen zu lassen, lässt Schmutz in den Motor gelangen und führt zu schnellem Motorverschleiß.

WARTUNG DES GENERATORS

REINIGUNG DES SCHAUMLUFTFILTERS

Ein verschmutzter Schaumluftfilter behindert den Luftstrom zum Kraftstoffsystem, wodurch die Motorleistung vermindert wird. Wird der Generator in sehr staubiger Umgebung betrieben, ist der Schaumluftfilter häufiger als im Wartungsplan angegeben zu reinigen.

1. Den Schaumluftfilter in warmer Seifenlauge reinigen, spülen und gut trocknen lassen, bzw. mit einem nicht flammbaren Lösemittel reinigen und trocknen lassen.
2. Den Schaumluftfilter in sauberes Motoröl tauchen, dann jegliches überschüssige Öl herausdrücken. Wenn zu viel Öl im Schaumluftfilter verbleibt, raucht der Motor beim Starten.



3. Schmutz von der Innenseite des Luftfilterdeckels mit einem feuchten Lappen abwischen. Darauf achten, dass kein Schmutz in den zum Kraftstoffsystem führenden Luftkanal gelangt.

WARTUNG DES GENERATORS

ZÜNDKERZENWARTUNG

Empfohlene Zündkerze: BPR6ES (NGK)

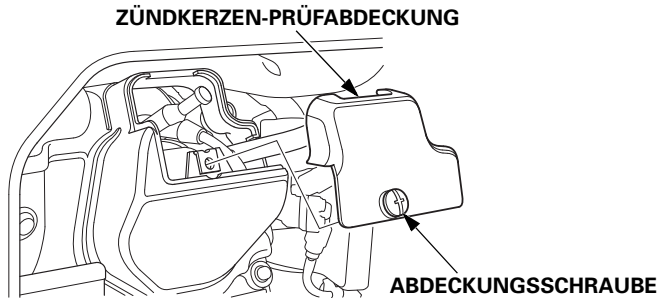
Um einwandfreien Motorbetrieb zu gewährleisten, muss die Zündkerze einen korrekten Elektrodenabstand haben und frei von Verbrennungsrückständen sein.

ACHTUNG

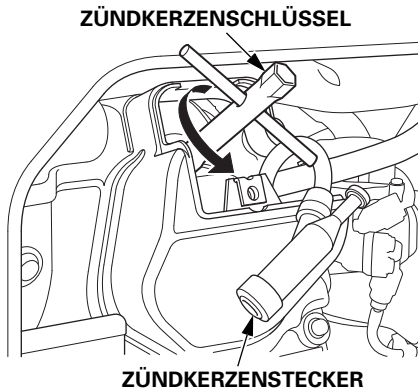
Eine falsche Zündkerze kann Motorschaden verursachen.

Den Motor vor dem Warten der Zündkerze abkühlen lassen, wenn er heiß ist.

1. Die linke Wartungsabdeckung durch Drehen ihrer Verriegelung im Gegenuhrzeigersinn öffnen.
2. Die Abdeckungsschraube lösen, dann die Zündkerzen-Prüfabdeckung abnehmen.



3. Den Zündkerzenstecker abtrennen und jeglichen Schmutz im Zündkerzenbereich beseitigen.
4. Die Zündkerze mit dem Zündkerzenschlüssel herausdrehen.

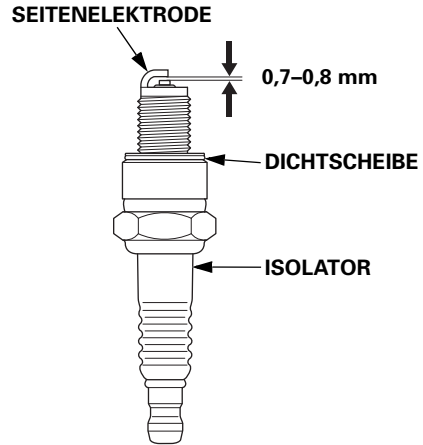


WARTUNG DES GENERATORS

5. Die Zündkerze überprüfen.

Wenn die Elektroden abgenutzt oder verschmutzt sind bzw. der Isolator Risse oder Absplitterungen aufweist, muss die Zündkerze ausgewechselt werden.

6. Den Elektrodenabstand der Zündkerze mit einer Drahtfühlerlehre messen. Den Elektrodenabstand erforderlichenfalls durch vorsichtiges Biegen der Seitenelektrode korrigieren.



Erforderlicher Elektrodenabstand:
0,7–0,8 mm

7. Sicherstellen, dass sich die Zündkerzendichtscheibe in gutem Zustand befindet, und die Zündkerze von Hand eindrehen, um ein Verdrehen des Gewindes zu vermeiden.

8. Die Zündkerze nach dem Aufsitzen mit dem Zündkerzenschlüssel festziehen, um die Scheibe zusammenzudrücken.

Bei einer gebrauchten Zündkerze ist nach dem Aufsitzen der Kerze nur 1/8 bis 1/4 Drehung zum Zusammendrücken der Scheibe erforderlich.

Wenn eine neue Zündkerze eingebaut wird, sie nach dem Aufsitzen um 1/2 Drehung anziehen.

ACHTUNG

Eine lockere Zündkerze kann sich überhitzen und den Motor beschädigen.

Durch Überziehen der Zündkerze kann das Gewinde im Zylinderkopf beschädigt werden.

9. Den Zündkerzenstecker aufsetzen.

10. Die Zündkerzen-Prüfabdeckung wieder anbringen und die Abdeckungsschraube festziehen.

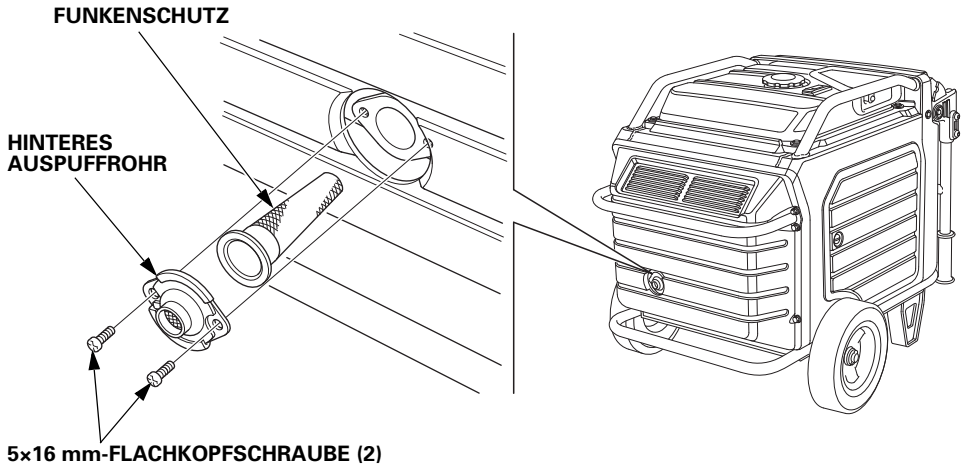
11. Die linke Wartungsabdeckung schließen.

WARTUNG DES GENERATORS

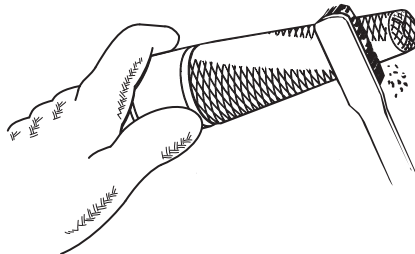
FUNKENSCHUTZWARTUNG

Wenn der Motor in Betrieb war, ist der Auspufftopf sehr heiß. Bevor der Funkenschutz gewartet wird, den Auspufftopf abkühlen lassen.

1. Die zwei 5 × 16 mm-Flachkopfschrauben herausdrehen, dann hinteres Auspuffrohr und Funkenschutz abnehmen.



2. Ölkohleablagerungen vom Funkenschutzsieb abbürsten.
Darauf achten, das Sieb nicht zu beschädigen.
Der Funkenschutz darf keine Bruchstellen oder Risse aufweisen. Den Funkenschutz auswechseln, wenn er beschädigt ist.



3. Den Funkenschutz in der umgekehrten Ausbaureihenfolge einbauen.

WARTUNG DES GENERATORS

WARTUNG DER BATTERIE

Das Ladesystem des Generatormotors lädt die Batterie bei laufendem Motor auf. Wenn der Generator jedoch nur in gewissen Zeitabständen verwendet wird, muss die Batterie monatlich aufgeladen werden, um eine möglichst lange Nutzungsdauer der Batterie gewährleisten zu können.

⚠️ WARNUNG

Die Batterie enthält Schwefelsäure (Elektrolyt), eine äußerst korrosive und hochgiftige Substanz. Wenn Elektrolyt in Ihre Augen oder auf Ihre Haut gelangt, kann dies zu schweren Verbrennungen führen.

Beim Arbeiten in Batterienähe Schutzkleidung und einen Augenschutz tragen.

HALTEN SIE KINDER VON DER BATTERIE FERN.

Notfallmaßnahmen

Augen – Mindestens fünfzehn Minuten lang mit Wasser aus einer Tasse oder einem anderen Behälter ausspülen. (Unter Druck stehendes Wasser kann das Auge beschädigen.)

Unverzüglich in ärztliche Behandlung begeben.

Haut – Kontaminierte Kleidung ausziehen. Die Haut mit viel Wasser abspülen. Unverzüglich in ärztliche Behandlung begeben.

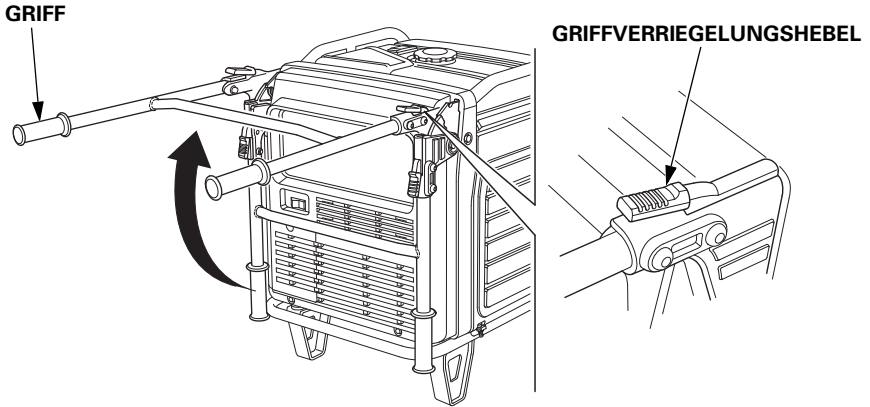
Verschlucken – Wasser oder Milch trinken. Unverzüglich in ärztliche Behandlung begeben.

WARTUNG DES GENERATORS

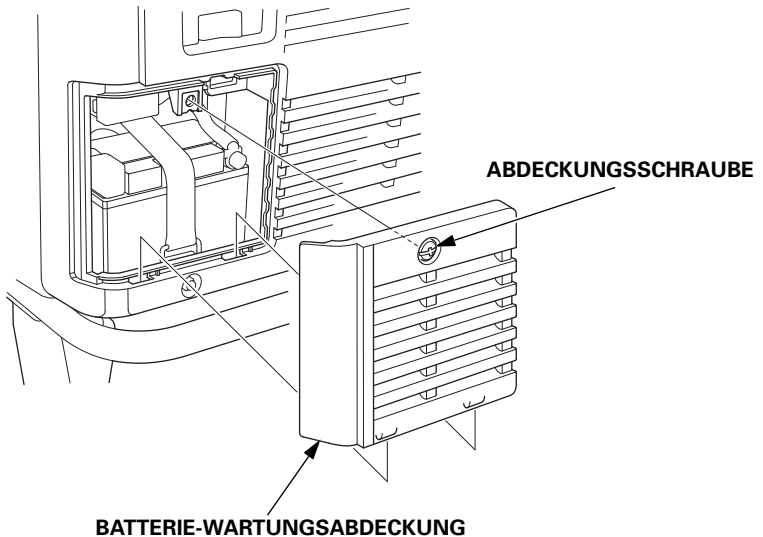
Ausbau der Batterie

Batteriepole, -klemmen und entsprechendes Zubehör enthalten Blei und Bleiverbindungen. Nach Handhabung Hände waschen.

1. Die Griffereinheit anheben. Verriegelungshebel arretieren den Griff und halten ihn sicher in Position.



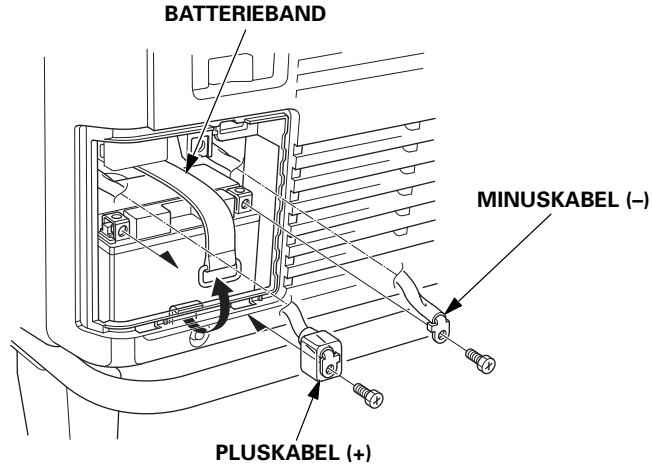
2. Die Abdeckungsschraube lösen, und die Batterie-Wartungsabdeckung abnehmen.



WARTUNG DES GENERATORS

3. Zuerst das Minuskabel (-) vom Minuspol (-) der Batterie und dann das Pluskabel (+) vom Pluspol (+) der Batterie abnehmen.

4. Das Batterieband vom unteren Haken des Generators aushaken.



5. Die Batterie entnehmen.



Dieses Symbol auf der Batterie weist darauf hin, dass dieses Produkt nicht mit dem Hausmüll entsorgt werden darf.

Eine nicht ordnungsgemäß entsorgte Batterie kann schädlich für Umwelt und Gesundheit sein.

Halten Sie sich beim Entsorgen von Batterien stets an örtlich geltende Vorschriften.

Laden der Batterie

WARNUNG

Die Batterie gibt während des normalen Betriebs explosives Wasserstoffgas ab.

Funken oder Flammen können zum Explodieren der Batterie führen, was schwere oder lebensgefährliche Verletzungen zur Folge haben kann.

Schutzkleidung und Gesichtsmaske tragen oder die Batterie von einem geschulten Mechaniker warten lassen.

Die Nennkapazität der Batterie beträgt 11,2 Ah (Amperestunden). Der Ladestrom muss 10 % der Batterie-Amperestundenzahl entsprechen. Es ist ein Batterieladegerät zu verwenden, das auf eine Abgabe von 1,1 Ampere eingestellt werden kann.

1. Das Batterieladegerät gemäß Herstelleranweisungen anschließen.
2. Die Batterie 5–10 Stunden lang laden.
3. Die Außenseite der Batterie und das Batteriefach mit einer Lösung aus Backpulver und Wasser reinigen.

Anbringen der Batterie

1. Die Batterie in den Generator einsetzen.
2. Zuerst das Pluskabel (+) an den positiven (+) Batteriepol anschließen und die Schraube gut festziehen.
3. Die Kappe über das Pluskabel (+) und den positiven Batteriepol schieben.
4. Das Minuskabel (–) an den negativen (–) Batteriepol anschließen und die Schraube gut festziehen.
5. Das Batterieband anbringen.
6. Die Batterie-Wartungsabdeckung in umgekehrter Reihenfolge des Ausbaus wieder einbauen (siehe Seite 63).
Der Generator darf auf keine Fall mit offener Batterie-Wartungsabdeckung betrieben werden; dies würde zu schlechter Motor- und Generatorleistung führen.

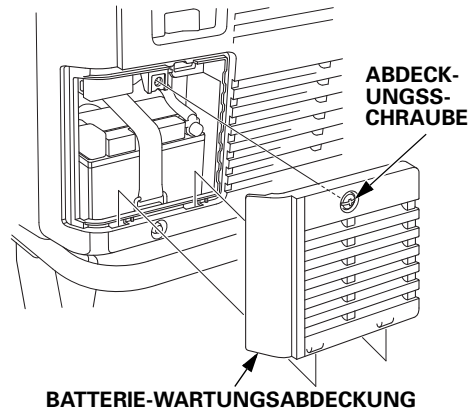
WARTUNG DES GENERATORS

SICHERUNG

Wenn die Sicherung durchgebrannt ist, funktioniert der Starter nicht.

Wenn die Sicherung durchgebrannt ist, die Ursache des Versagens ausfindig machen und beseitigen, bevor der Betrieb fortgesetzt wird. Wenn die Sicherung weiterhin durchbrennt, stellen Sie den Betrieb des Generators ein und wenden Sie sich an Ihren Wartungshändler.

1. Den HAUPTSCHALTER auf AUS stellen und den Schlüssel abziehen, bevor die Sicherung kontrolliert oder ausgewechselt wird.
2. Die Abdeckungsschraube lösen, und die Batterie-Wartungsabdeckung abnehmen.



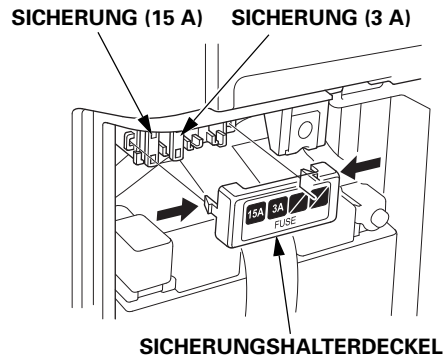
3. Den Sicherungshalterdeckel abnehmen und die Sicherung herausziehen.
4. Die Sicherung durch eine desselben Typs und Nennstroms ersetzen.

Vorgeschriebene Sicherung:

3 A, 15 A

ACHTUNG

Niemals eine Sicherung verwenden, die nicht den vorgeschriebenen Spezifikationen entspricht. Bei Nichtbefolgung kann es zu einem schweren Schaden in der elektrischen Anlage kommen bzw. ein Brand ausgelöst werden.



5. Den Sicherungshalterdeckel und die Batterie-Wartungsabdeckung in umgekehrter Reihenfolge des Ausbaus wieder einbauen (siehe Seite 63). Der Generator darf auf keine Fall mit offener Batterie-Wartungsabdeckung betrieben werden; dies würde zu schlechter Motor- und Generatorleistung führen.

LAGERUNG

LAGERUNGSVORBEREITUNG

Eine sachgemäße Lagerungsvorbereitung ist ausschlaggebend, um störungsfreien Betrieb und gutes Aussehen des Generators aufrechtzuerhalten. Die folgenden Schritte verhindern, dass Funktion und Erscheinung des Generators durch Rost und Korrosion beeinträchtigt werden, und erleichtern das Starten des Motors bei der Wiederinbetriebnahme des Generators.

Reinigung

Den Generator mit einem feuchten Tuch abwischen. Wenn der Generator trocken ist, Lackschäden ausbessern und rostanfällige Teile mit einem dünnen Ölfilm überziehen.

Kraftstoff

ACHTUNG

Kraftstoffzusammensetzungen können je nach Betriebsgebiet schnell altern und oxidieren. Kraftstoffverschlechterung und -oxidation kann schon in 30 Tagen erfolgen und zu einer Beschädigung des Kraftstoffsystems führen. Ihr Wartungshändler gibt Ihnen gerne Auskunft über örtliche Lagerungsbedingungen.

Benzin oxidiert und altert bei längerer Lagerung. Gealtertes Benzin verursacht Startprobleme und hinterlässt klebrige Rückstände, die das Kraftstoffsystem verstopfen. Falls das Benzin im Generator während der Lagerung altert, müssen Kraftstoffsystemteile eventuell gewartet oder ausgewechselt werden.

Die Zeitdauer, die Benzin im Kraftstofftank belassen werden kann, ohne funktionelle Probleme zu verursachen, hängt von Faktoren ab wie dem Kraftstoffgemisch, Ihren Lagertemperaturen und ob der Kraftstofftank halb oder voll gefüllt ist. Die Luft in einem teilweise gefüllten Kraftstofftank fördert die Qualitätsminderung des Kraftstoffs. Sehr warme Lagertemperaturen beschleunigen die Qualitätsminderung des Kraftstoffs. Kraftstoffalterungsprobleme können schon nach wenigen Monaten oder noch früher auftreten, wenn das in den Kraftstofftank eingefüllte Benzin nicht frisch war.

LAGERUNG

Entleeren des Kraftstofftanks

⚠️ WARNUNG

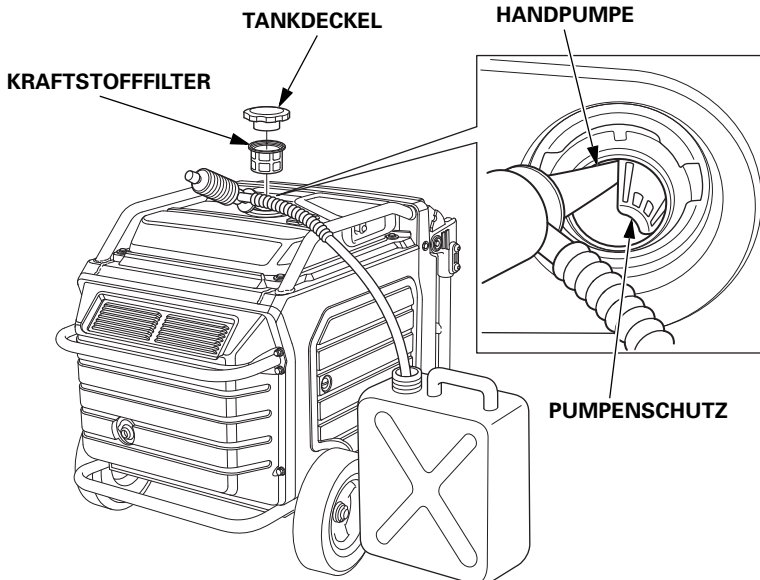
Benzin ist äußerst feuergefährlich und explosiv.

Mit Benzin vorsichtig umgehen. Verbrennungen und ernsthafte Verletzungen können verursacht werden.

- Den Motor stoppen und Wärme, Funken sowie Flammen fern halten.
- Benzin nur im Freien handhaben.
- Verschüttetes Benzin ist unverzüglich aufzuwischen.

Den Tankdeckel abnehmen, den Kraftstofffilter ausbauen und den Kraftstoff in einen für Benzin zugelassenen Behälter ablaufen lassen.

Wir empfehlen, zum Entleeren des Tanks eine im Handel erhältliche Benzin-Handpumpe zu verwenden. Vom Gebrauch einer Elektropumpe wird abgeraten. Zum Herausleiten des Benzins die Spitze der Handpumpe seitlich in den Pumpenschutz einsetzen. Kraftstofffilter und Tankdeckel wieder anbringen.



Motoröl

1. Das Motoröl wechseln (siehe Seite 55).
2. Die Zündkerze herausdrehen (siehe Seite 59).
3. Einen Teelöffel (5 cm³) sauberes Motoröl in den Zylinder gießen.
4. Das Startseil einige Male ziehen, um das Öl im Zylinder zu verteilen.
5. Die Zündkerze wieder eindrehen (siehe Seite 60).
6. Den Startgriff ziehen, bis ein Widerstand verspürt wird. In diesem Zustand führt der Kolben den Kompressionshub aus, und die Einlass- und Auslassventile sind geschlossen. Eine Lagerung des Motors in dieser Stellung bewirkt, dass das Innere des Motors besser vor Korrosion geschützt ist. Den Startgriff sachte zurückführen.

Batterie

Die Batterie vor Lagerung des Generators aufladen (siehe Seite 65).

LAGERUNG

LAGERUNGSVORKEHRUNGEN

Soll der Generator mit Benzin im Kraftstofftank gelagert werden, ist es wichtig, die Gefahr einer Benzindampfentflammung zu verringern.

Wählen Sie einen gut belüfteten Lagerraum fern von Geräten, die mit Flammen arbeiten, wie z. B. Brennofen, Wasserboiler oder Wäschetrockner. Vermeiden Sie auch Bereiche, in denen ein Funken erzeugender Elektromotor betrieben oder Elektrowerkzeuge benutzt werden.

Vermeiden Sie nach Möglichkeit Lagerräume mit hoher Luftfeuchtigkeit, weil diese Rost und Korrosion begünstigt.

Den Generator auf einer ebenen Fläche abstellen. Neigen kann Auslaufen von Kraftstoff oder Öl verursachen.

Den Generator zum Schutz vor Staub abdecken, nachdem Motor und Auspuffanlage abgekühlt sind. Wenn Motor und Auspuffanlage heiß sind, können bestimmte Materialien sich entzünden oder schmelzen.

Keine Plastikfolie als Staubschutz verwenden. Eine undurchlässige Abdeckung schließt Feuchtigkeit um den Generator ein, und begünstigt damit Rost und Korrosion.

Die Batterie ganz aufladen. Die Batterie einmal pro Monat nachladen (siehe Seite 65).

WIEDERINBETRIEBNAHME

Überprüfen Sie den Generator gemäß der Beschreibung im Kapitel *VOR INBETRIEBNAHME* dieses Handbuchs (siehe Seite 29).

Wenn der Generator 1 Jahr oder länger gelagert wurde, den Kraftstofftank entleeren (siehe Seite 68) und frisches Benzin einfüllen. Wenn Sie einen Reservekanister zum Tanken verwenden, achten Sie darauf, dass er immer mit frischem Benzin gefüllt ist. Benzin oxidiert und altert mit der Zeit, wodurch Startprobleme verursacht werden.

Wenn der Zylinder während der Lagerungsvorbereitung mit einem Ölfilm überzogen wurde, kann der Motor beim Starten kurzzeitig rauchen. Dies ist normal.

TRANSPORT

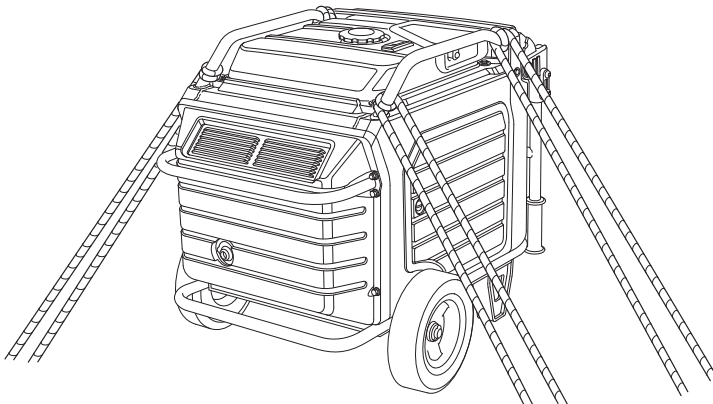
Wenn der Generator in Betrieb war, muss man den Motor mindestens 15 Minuten lang abkühlen lassen, bevor man ihn auf das Transportfahrzeug lädt. Wenn Motor und Auspuffanlage heiß sind, kann man sich verbrennen, und entzündliche Materialien in der näheren Umgebung können Feuer fangen.

Den Generator beim Transport waagrecht halten, um Auslaufen von Kraftstoff vorzubeugen.

Wenn zur Sicherung des Generators während des Transports Seile oder Befestigungsgurte verwendet werden, muss sichergestellt werden, dass die Rahmenstangen als Befestigungspunkte benutzt werden. Seile oder Bänder an keinem Teil des Generatoraggregats und auch nicht am Klappgriff anbringen.

Hinweise zum Transport des Generators:

- Den Schalter auf AUS stellen.
- Der Generator darf nicht betrieben werden, wenn er sich auf einem Fahrzeug befindet. Für den Einsatz muss der Generator abgeladen und in einer gut belüfteten Umgebung aufgestellt werden.
- Wenn der Generator in einem Fahrzeug verstaut wird, darf dieses nicht in der prallen Sonne stehen gelassen werden. Wenn der Generator längere Zeit in einem geschlossenen Fahrzeug verbleibt, kann die Temperatur so hoch ansteigen, dass der Kraftstoff verdunstet und eine Explosion verursacht.
- Den Generator nicht für längere Zeit über schlechte Wegstrecken transportieren. Wenn ein Transport auf unebenen Straßen unvermeidlich ist, muss vorher der Kraftstoff abgelassen werden.

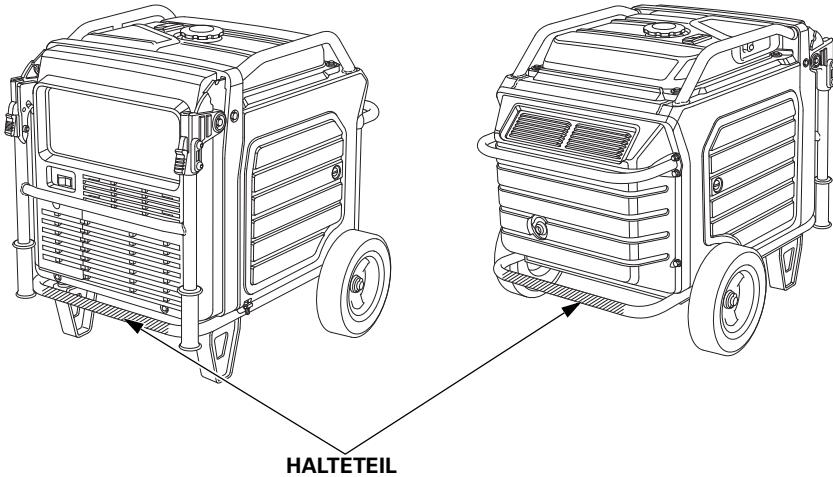


TRANSPORT

- Zum Hochheben des Generators für einen Transport Hebezeug an dessen Aufhängung (optionale Teile) anschließen.
- Wenn der Generator mit Helfern von Hand gehoben werden soll, darf dies nicht an der Griffereinheit oder der hinteren Stange des Generators erfolgen. Den Generator zum Heben unbedingt am Halteteil anfassen (schraffierte Bereiche in der Abbildung unten).

Gemäß EUROPÄISCHER NORM EN 12601: 2010

Die ca. 140 kg wiegende Generatoreinheit sollte bei Bedarf von 4 Personen getragen werden.



BEHEBUNG UNERWARTETER PROBLEME

MOTOR SPRINGT NICHT AN

Mögliche Ursache	Korrektur
Der HAUPTSCHALTER ist auf AUS gestellt.	Den HAUPTSCHALTER auf EIN stellen (siehe Seite 34).
Kraftstoffmangel	Auftanken (siehe Seite 52).
Minderwertiger Kraftstoff: Generator ohne Entleeren des Kraftstoffs gelagert oder minderwertiger Kraftstoff getankt	Kraftstofftank entleeren (siehe Seite 68). Frisches Benzin einfüllen (siehe Seite 52).
Ölwarnsystem hat Motor aufgrund eines niedrigen Motorölstands gestoppt.	Den HAUPTSCHALTER auf AUS stellen. Motoröl hinzugeben. Anschließend den HAUPTSCHALTER auf EIN stellen und den Motor neu starten.
Zündkerze nass (Motor geflutet).	<ul style="list-style-type: none">• Den HAUPTSCHALTER auf AUS stellen und den Startgriff mindestens fünf Mal schnell ziehen. Dies kann die Zündkerze trocknen.• Wenn der Motor noch immer nicht startet, die Zündkerze ausbauen und trocknen.
Zündkerze defekt oder verschmutzt oder falscher Elektrodenabstand	Elektrodenabstand einstellen oder die Zündkerze austauschen (siehe Seite 59). Die Zündkerze wieder einsetzen.
Kraftstofffilter verstopft, Störung des Kraftstoffsystems, Versagen der Kraftstoffpumpe, Zündungsstörung, festsitzende Ventile usw.	Den Generator zu Ihrem Wartungshändler bringen oder das Werkstatthandbuch hinzuziehen.

BEHEBUNG UNERWARTETER PROBLEME

MOTORLEISTUNGSMANGEL

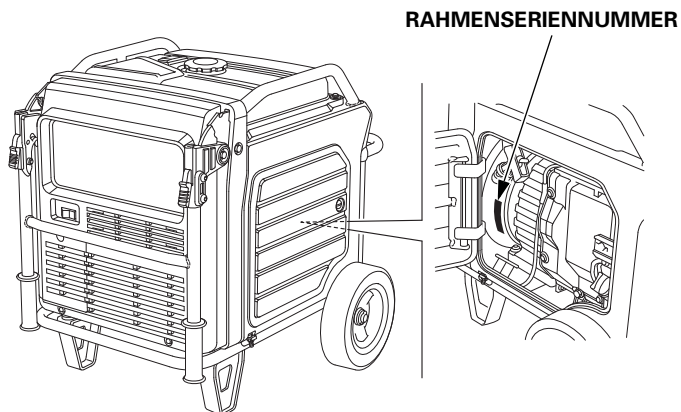
Mögliche Ursache	Korrektur
Luftfilter verstopft	Den Luftfilter reinigen oder austauschen (siehe Seite 57).
Minderwertiger Kraftstoff: Generator ohne Entleeren des Kraftstoffs gelagert oder minderwertiger Kraftstoff getankt	Kraftstofftank entleeren (siehe Seite 68). Frisches Benzin einfüllen (siehe Seite 52).
Kraftstofffilter verstopft, Störung des Kraftstoffsystems, Versagen der Kraftstoffpumpe, Zündungsstörung, festsitzende Ventile usw.	Den Generator zu Ihrem Wartungshändler bringen oder das Werkstatthandbuch hinzuziehen.

KEIN STROM AN DEN WECHSELSTROM-STECKDOSEN

Mögliche Ursache	Korrektur
AUSGANGS-Anzeige ist AUS und ÜBERLASTALARM-Anzeige ist EIN.	Die Wechselstromlast prüfen. Den Motor abstellen und dann wieder anlassen.
	Den Kühllufteinlass prüfen. Den Motor abstellen und dann wieder anlassen.
Wechselstrom-Schaltkreisschutz(vorrichtungen) ausgelöst.	Wechselstromlast prüfen und Wechselstrom-Schaltkreisschutz(vorrichtungen) rückstellen (siehe Seite 18).
Elektrowerkzeug oder Gerät defekt.	Elektrowerkzeug oder Gerät austauschen oder reparieren. Den Motor abstellen und dann wieder anlassen.
Generator defekt.	Den Generator zu Ihrem Wartungshändler bringen oder das Werkstatthandbuch hinzuziehen.

TECHNISCHE INFORMATION

Position der Seriennummer



Tragen Sie bitte Rahmenseriennummer und Kaufdatum in die Felder unten ein. Sie benötigen diese Information zur Bestellung von Ersatzteilen, bei technischen Fragen und bei Nachfragen zur Garantie.

Rahmenseriennummer: _____

Kaufdatum: _____

TECHNISCHE INFORMATION

Technische Daten

Abmessungen

Modell	EU70is
Codebezeichnung	EEJD
Länge [Griff in oberer Stellung]	848 mm [1.198 mm]
Breite	700 mm
Höhe	721 mm
Trockenmasse [Gewicht] *	118,1 kg

* Mit Batterie

Motor

Modell	GX390
Motortyp	4-Takt, OHV, Einzylinder
Hubraum [Bohrung × Hub]	389 cm ³ [88 × 64 mm]
Verdichtungsverhältnis	8,2:1
Motordrehzahl	2.400–3.600 U/min < Eco-Drosselklappenschalter auf EIN gestellt >
Kühlsystem	Gebälsekühlung
Zündsystem	Volltransistorzündung
Motorölkapazität	1,1 L
Kraftstofftankinhalt	19,2 L
Zündkerze	BPR6ES (NGK)
Batterie	12 V 11,2 Ah / 10 HR

Generator

Modell	EU70is	
Typ	G, GW, F, IT	
Wechselstromausgang	Nennspannung	230 V
	Nennfrequenz	50 Hz
	Nennstrom (Nennstromstärke)	23,9 A
	Nennleistung	5,5 kVA
	Maximale Ausgangsleistung	7,0 kVA

Geräusch

Modell	EU70is
Typ	G, GW, F, IT
Schall-Leistungspegel am Arbeitsbereich (2006/42/EG)	76 dB (A) (Eco-Drosselklappe auf EIN gestellt)
Abweichung	2 dB (A)
Gemessener Geräuschpegel (2000/14/EG, 2005/88/EG)	88 dB (A) (Eco-Drosselklappe auf EIN gestellt)
Abweichung	2 dB (A)
Garantierter Geräuschpegel (2000/14/EG, 2005/88/EG)	90 dB (A) (Eco-Drosselklappe auf EIN gestellt)

"Bei den angegebenen Werten handelt es sich um Emissionspegel, die nicht unbedingt als sichere Arbeitspegel zu betrachten sind. Obwohl eine Korrelation zwischen Emissions- und Expositionspegeln besteht, kann auf dieser Grundlage keine zuverlässige Entscheidung darüber getroffen werden, ob weitere Vorsichtsmaßnahmen erforderlich sind oder nicht. Faktoren, die den tatsächlichen Expositionspegel der Arbeitskraft beeinflussen, umfassen die Eigenschaften des Arbeitsraums und andere Geräuschquellen, wie z. B. durch die Anzahl der Maschinen und andere in der Nähe ablaufende Prozesse bedingt, sowie die Zeitdauer, während der eine Bedienperson dem Geräusch ausgesetzt ist. Der zulässige Expositionspegel kann auch von Land zu Land verschieden sein. Diese Informationen ermöglichen es dem Benutzer der Maschine jedoch, die vorliegenden Gefahren und Risiken besser einzuschätzen."

Die technischen Daten können sich je nach Modell unterscheiden und ohne vorherige Ankündigung geändert werden.

TECHNISCHE INFORMATION

Schaltschema

(Siehe Innenseite der hinteren Abdeckung)

Abkürzungen

Symbol	Teilename
ACCP	Wechselstrom-Schaltkreisschutz
ACOR	Wechselstrom-Ausgangssteckdose
Bat	Batterie
CPB	Schalttafelblock
CSw	Kombinationsschalter
EcoSw	Eco-Drosselklappenschalter
EgB	Motorblock
FrB	Rahmenblock
FP	Kraftstoffpumpe
FuB	Sicherungskasten
GeB	Generatorblock
GCU	Generator-Steuereinheit
GND	Masse
GT	Masseklemme
IgC	Zündspule
IgPG	Zündimpuls-Generator
In	Einspritzdüse
IU	Wandler
IUB	Wandler-Block
LED	LED
MSw	HAUPTSCHALTER
MW	Hauptwicklung
NF	Entstörfilter
OLSw	Ölstandschalter
O2Se	O2-Sensor
PC	Arbeitsplatzrechner
POR	Parallelbetriebssteckdose
Rc	Fernsteuerung
RCB	Fernbedienungs-Steuerungsblock
Rc (OP)	Fernsteuerung (Option)
SP	Zündkerze
StM	Starter
StSw	Startschalter
SW	Nehmerwicklung
TCM	Drosselklappen-Regelmotor
ThSe	Thermofühler

Kabel-Farbcode

Bl	Schwarz
Br	Braun
G	Grün
Gr	Grau
Bu	Blau
Lb	Hellblau
Lg	Hellgrün
O	Orange
P	Rosa
R	Rot
W	Weiß
Y	Gelb
V	Violett
BE	Hellbraun

KOMBINATIONSSCHALTER

	MAIN1	MAIN2	BAT	ACC
EIN				
AUS				

STARTSCHALTER

	IG	E
UNBESETZT		
DRÜCKEN		

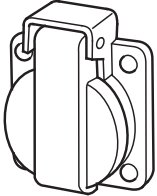
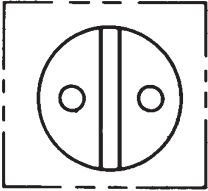
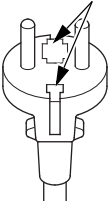
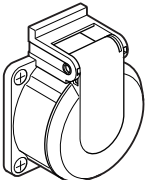
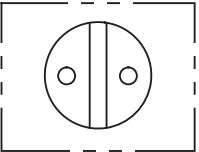
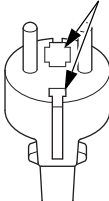
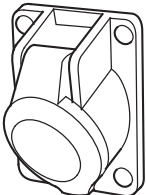
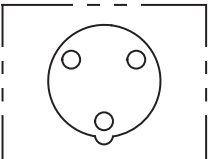
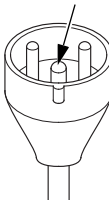
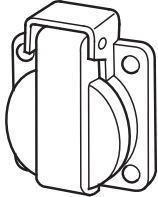
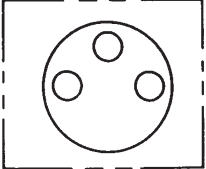
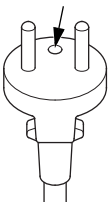
ECO-

DROSSELKLAPPENSCHALTER

KLEMME		Hz	GND	SW
ECO-	EIN			
DROSS-ELKLAPPE	AUS			

TECHNISCHE INFORMATION

Steckdose

Typ	Form		Stecker
G			<p data-bbox="891 245 1024 266">MASSESTIFT</p> 
GW			<p data-bbox="891 488 1024 509">MASSESTIFT</p> 
IT			<p data-bbox="891 732 1024 753">MASSESTIFT</p> 
F			<p data-bbox="891 976 1024 997">MASSESTIFT</p> 

MONTAGE

SICHERHEIT

Die Bedeutsamkeit richtiger Montage

Richtige Montage ist für die Sicherheit der Bedienperson und die Zuverlässigkeit der Maschine von ausschlaggebender Bedeutung. Jeder Fehler und jede Nachlässigkeit bei der Montage oder Wartung einer Einheit kann fehlerhaften Betrieb oder eine Beschädigung der Maschine bzw. eine Verletzung der Bedienperson verursachen.

WARNUNG

Durch falsche Montage kann ein unsicherer Zustand hervorgerufen werden, der Verletzungen verursachen und Leben kosten kann.

Befolgen Sie die in der Montageanleitung beschriebenen Verfahren und Vorsichtsmaßnahmen genau.

Einige der wichtigsten Sicherheitsmaßnahmen sind nachstehend aufgeführt. Es ist jedoch nicht möglich, alle denkbaren Gefahren, die bei dieser Montage auftreten können, zu erwähnen, und entsprechende Vorsichtsmaßnahmen zu beschreiben. Nur Sie können entscheiden, ob Sie sich eine bestimmte Aufgabe zutrauen oder nicht.

WARNUNG

Bei Missachtung der Anweisungen und Vorsichtsmaßnahmen besteht Unfallgefahr mit Verletzungs- und Todesfolge.

Befolgen Sie die Anweisungen und Vorsichtsmaßnahmen in diesem Handbuch sorgfältig.

Wichtige Sicherheitsregeln

- Jede Person, die sich mit Wartungs- oder Reparaturarbeiten beschäftigt, muss mit gängigen Werkstatt-Sicherheitspraktiken vertraut sein und richtige Kleidung sowie Sicherheitsausrüstung tragen. Bei der Durchführung dieser Montage ist insbesondere auf die folgenden Punkte zu achten:
 - Lesen Sie vor Arbeitsbeginn die Anweisungen durch und vergewissern Sie sich, dass Sie die richtigen Werkzeuge haben, um die anstehende Arbeit sicher durchführen zu können. Technische Eignung wird vorausgesetzt.
- Bevor mit einer Montage, Wartungs- oder Reparaturarbeit begonnen wird, muss der Motor abgestellt sein. Sie schützen sich dadurch vor mehreren potenziellen Gefahren:
 - Kohlenmonoxid-Vergiftung durch Abgase.**
Im Freien und in ausreichendem Abstand von geöffneten Fenstern oder Türen betreiben.
 - Verbrennungen durch heiße Teile.**
Lassen Sie den Motor und die Auspuffanlage abkühlen, bevor Sie entsprechende Teile anfassen.
 - Verletzungen durch Kontakt mit beweglichen Teilen.**
Lassen Sie den Motor nicht laufen, sofern dies nicht eigens angewiesen wird. Auch in diesem Fall Hände, Finger und Kleidung fern halten. Lassen Sie den Motor nicht laufen, wenn irgendeine Schutzvorrichtung abgenommen ist.
- Zur Verhütung von Brand und Explosion bei Arbeiten am Kraftstoffsystem und an Batterien besondere Vorsicht walten lassen. Zum Reinigen von Teilen nur ein nicht entflammbares Lösungsmittel, kein Benzin verwenden. Sämtliche Zigaretten, Funken und Flammen von allen Kraftstoffteilen fern halten.

MONTAGE

MONTAGE

Auspacken

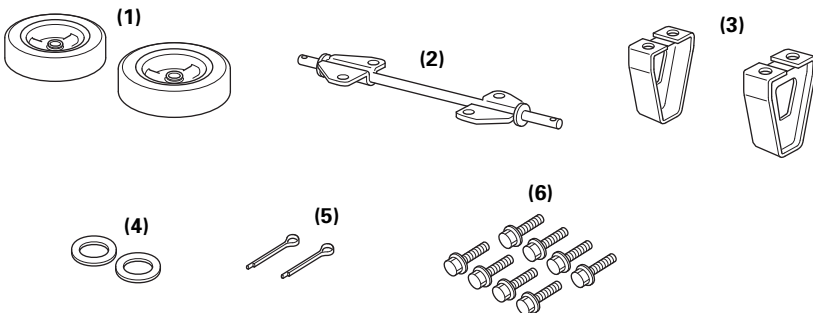
1. Den Generator und die Schachtel mit den mitgelieferten Teilen aus der Verpackung nehmen.
2. Die mitgelieferten Teile mit der nachfolgenden Inventarliste vergleichen.

Erforderliche Werkzeuge: 12 mm-Schraubenschlüssel,
10 mm-Schraubenschlüssel oder
Kreuzschlitzschraubendreher für
Batterieanschlüsse, Zange (nicht im
Lieferumfang enthalten)

Mitgelieferte Teile

Prüfen Sie die mitgelieferten Teile anhand der folgenden Liste auf Vollständigkeit.

Bez. Nr.	Beschreibung	Menge
1	Rad	2
2	Achse	1
3	Stütze	2
4	20 mm-Unterlegscheibe	2
5	4,0 × 28 mm-Splint	2
6	8 × 20 mm-Flanschschraube	8



Einbau Radsatz

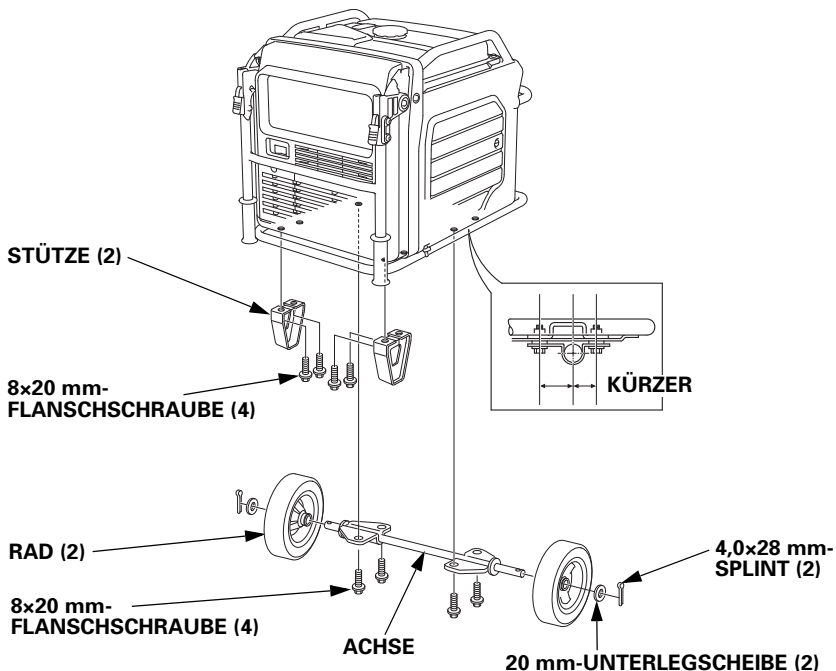
Den Generator nicht ohne angebrachten Radsatz betätigen. Der Radsatz gewährleistet einen Luftraum zwischen Boden und Generator-Lufteinlass.

ACHTUNG

Wenn der Radsatz nicht angebracht ist, könnten Schmutz und Fremdkörper in den Lufteinlass des Generators gezogen werden und Schäden verursachen. Den Generator stets mit installiertem Radsatz betreiben.

1. Die beiden Räder mit den 20 mm-Scheiben und 4,0 × 28 mm-Splinten an der Achse anbringen.
2. Die Achsbaugruppe mit vier 8 × 20 mm-Flanschschauben am Generator anbringen.
3. Die beiden Stützen mit den vier 8 × 20 mm-Flanschschauben am Unterrahmen anbringen.

ANZUGSDREHMOMENT: 15–22 N·m (1,5–2,2 kgf·m)



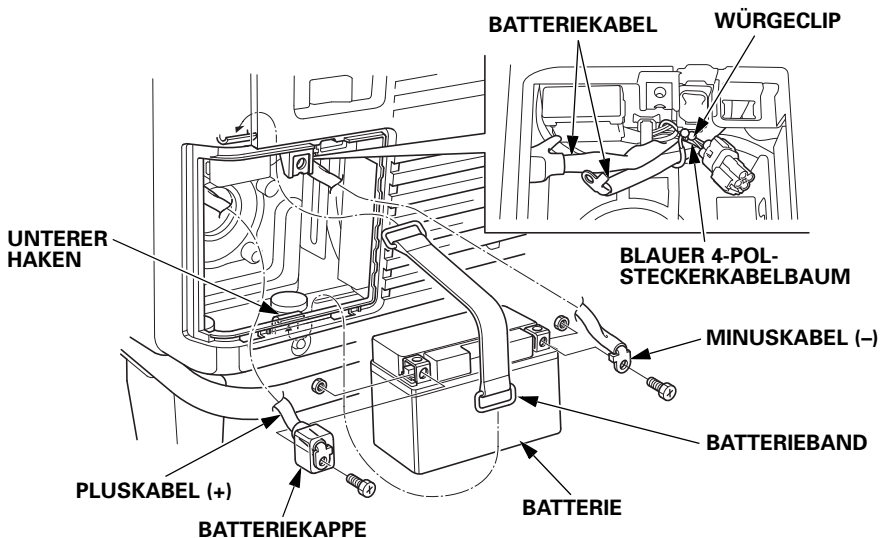
MONTAGE

Batterie

Batteriepole, -klemmen und entsprechendes Zubehör enthalten Blei und Bleiverbindungen. Nach Handhabung Hände waschen.

Zum Versand ist die Batterie abgetrennt und mit Band im Batteriefach befestigt.

1. Die Batterie-Wartungsabdeckung abnehmen (siehe Seite 63).
2. Das Batterieband vom unteren Haken lösen, dann die Batterie entnehmen.
3. Nur die Batteriekabel vom Würgeclip abnehmen.
Sicherstellen, dass der blaue 4-Pol-Steckerkabelbaum mit dem Würgeclip gesichert ist.
Die Batterie korrekt laden. Siehe Seite 65.
Die Batterie wieder einbauen.
4. Die Schutzkappe vom Pluspol (+) der Batterie abnehmen, und das Pluskabel (+) an den Pluspol (+) der Batterie anschließen. Sicherstellen, dass die Klemme mit der Batteriekappe abgedeckt wird.
5. Das Minuskabel (-) an den Minuspol (-) der Batterie anschließen.
6. Die Batterie sichern, indem das Band am unteren Haken des Generators eingehakt wird.



7. Die Batterie-Wartungsabdeckung in umgekehrter Reihenfolge des Ausbaus wieder einbauen (siehe Seite 63).
Der Generator darf auf keine Fall mit offener Batterie-Wartungsabdeckung betrieben werden; dies würde zu schlechter Motor- und Generatorleistung führen.

Motoröl

Bei Lieferung des Generators befindet sich **KEIN ÖL** im Motor.

Den Generator auf einer ebenen Fläche abstellen. Die rechte Wartungsabdeckung durch Drehen ihrer Verriegelung im Gegenuhrzeigersinn öffnen. Den Öleinfüllverschluss entfernen.

Das empfohlene Öl bis zur oberen Füllstandgrenze am Öleinfüllstutzen einfüllen.

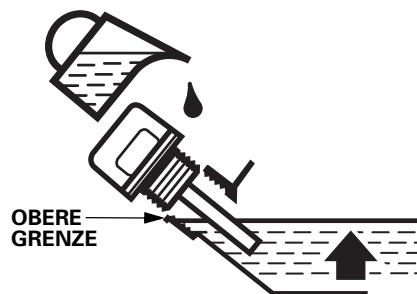
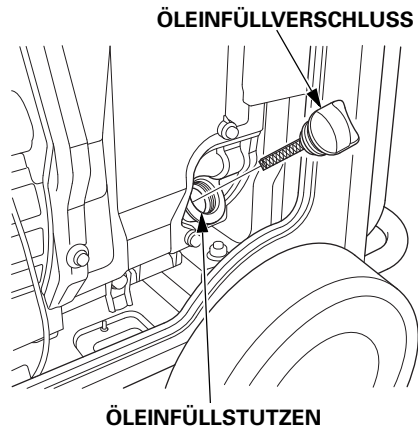
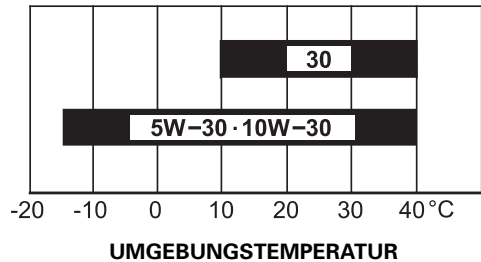
Ein Motoröl für Viertaktmotoren verwenden, das die Anforderungen für API-Serviceklasse SE oder höher (bzw. gleichwertig) erfüllt.

SAE 10W-30 empfiehlt sich für allgemeinen Einsatz bei allen Temperaturen. Andere in der Tabelle angegebene Viskositäten können verwendet werden, wenn die Temperatur in Ihrem Gebiet innerhalb des angezeigten Bereichs liegt.

Den Öleinfüllverschluss wieder sicher anbringen. Die rechte Wartungsabdeckung durch Drehen ihrer Verriegelung im Uhrzeigersinn schließen.

Kraftstoff

Siehe Seite 52.



MONTAGE

Batteriespannung

Die Batteriespannung mit dem i-Monitor prüfen (siehe Seite 26).

Die Batteriespannung muss 12,3 V oder mehr betragen.

Bei niedriger Batteriespannung die Batterie so lange aufladen, bis die Batteriespannung mindestens 12,3 V beträgt.

VOR INBETRIEBNAHME

Vor Verwendung des Generators müssen sämtliche Personen, die den Generator betreiben, folgende Kapitel und Abschnitte lesen:

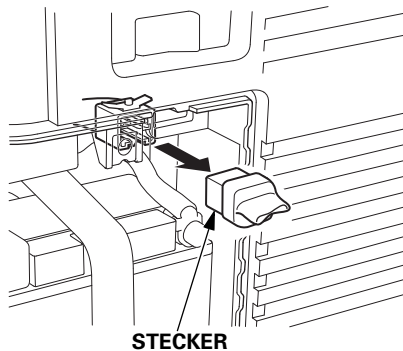
- **GENERATOR-SICHERHEIT** (siehe Seite 6)
- **BEDIENUNGSELEMENTE UND MERKMALE** (siehe Seite 14)
- **VOR INBETRIEBNAHME** (siehe Seite 29)
- **BETRIEB** (siehe Seite 31)
- **ANLASSEN DES MOTORS** (siehe Seite 33)
- **STOPPEN DES MOTORS** (siehe Seite 36)
- **WARTUNGSPLAN** (siehe Seite 51)

OPTIONALE TEILE

FERNSTEUERUNGSSATZ

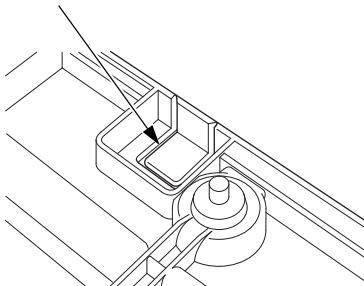
Gebrauch der Fernsteuerung unter feuchten Bedingungen, wie z. B. bei Regen oder Schnee, in der Nähe eines Schwimmbekens oder einer Sprinkleranlage, bzw. mit nassen Händen, kann zu Funktionsstörungen führen. Sorgen Sie stets dafür, dass die Fernsteuerung trocken bleibt. (Schutzart: IP3X)

1. Die Batterie-Wartungsabdeckung abnehmen (siehe Seite 63).
2. Den Stecker vom Steckverbinder abnehmen.
 - Den Stecker nicht wegwerfen. Der Stecker muss bei Entfernung des Fernsteuerungssatzes wieder in den Steckverbinder geschoben werden.

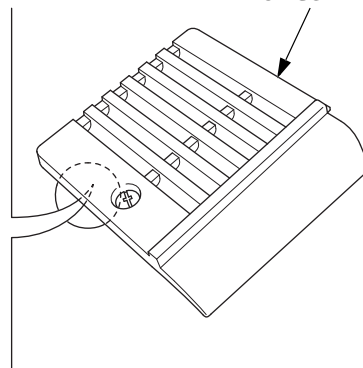


3. Mit Blick auf die Rückseite der Batterie-Wartungsabdeckung das abnehmbare Durchführungsstück in der Nähe der oberen Mitte der Abdeckung ausfindig machen. Das Durchführungsstück vorsichtig abnehmen.

DURCHFÜHRUNGSSTÜCK

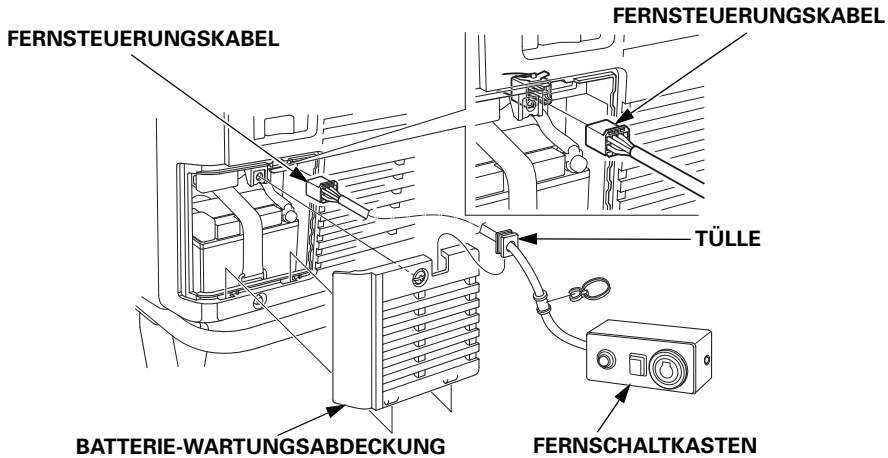


BATTERIE-WARTUNGSABDECKUNG

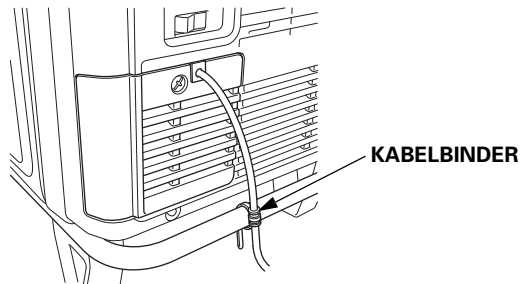


OPTIONALE TEILE

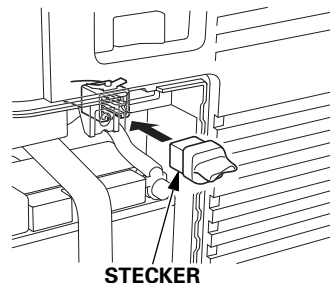
- Die Tülle in das Durchführungsstück der Batterie-Wartungsabdeckung setzen.
- Das Fernsteuerungskabel in den Steckverbinder einstecken.
- Die Batterie-Wartungsabdeckung anbringen, und die Abdeckungsschraube festziehen.



- Um ein versehentliches Abtrennen des Fernsteuerungskabels zu vermeiden, das Kabel mit einem Kabelbinder wie gezeigt am Generatorrahmen sichern.



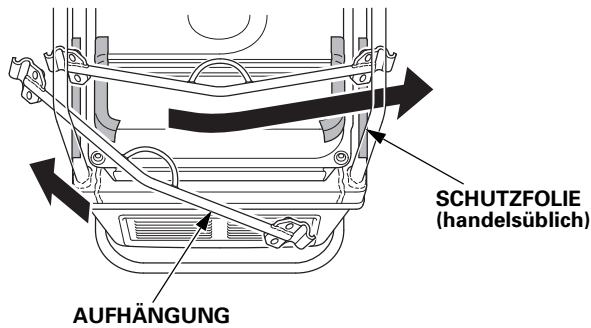
- Der Generator darf auf keinen Fall mit offener Batterie-Wartungsabdeckung betrieben werden; dies würde zu schlechter Motor- und Generatorleistung führen.
- Den Stecker bei Entfernung des Fernsteuerungssatzes in den Steckverbinder schieben.



AUFHÄNGUNGSSATZ

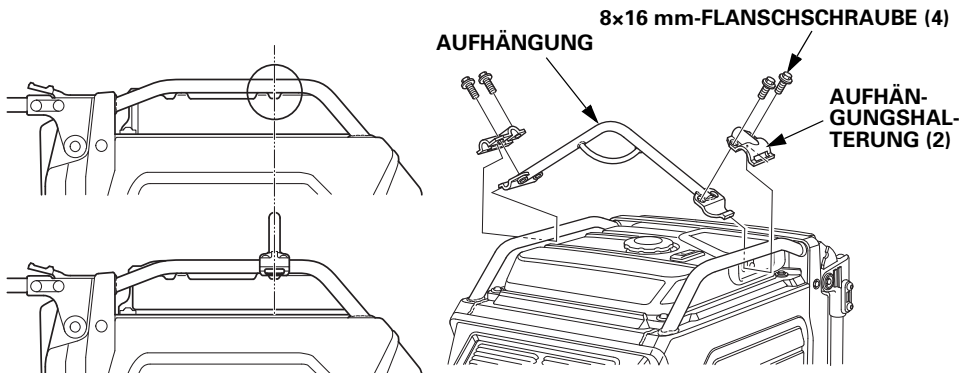
Beim Anbringen der Aufhängung Kraftstofftank und Rahmenrohr mit Schutzfolien abdecken.

1. Ein Ende der Aufhängung links am Generator unter das Rahmenrohr schieben.
2. Das andere Ende der Aufhängung rechts am Generator unter das Rahmenrohr schieben.



3. Die Aufhängung an den Rahmenrohren entlang verschieben, um die Mitte der Aufhängung auf die Aussparung an der Rückseite des Kraftstofftanks auszurichten.
4. Die Aufhängungshalterungen an beiden Enden der Aufhängung anbringen, und die 8 × 16 mm-Flanschsrauben festziehen.

ANZUGSDREHMOMENT: 24–29 N·m (2,4–3,0 kgf·m)



MEMO

Honda EU70is

MANUALE DELL'UTENTE

Istruzioni originali



ECOLOGY CONSCIOUS TECHNOLOGY

Il marchio "e-SPEC" simbolizza le tecnologie ecocompatibili impiegate nei gruppi elettrogeni Honda, espressione del nostro desiderio di "salvaguardare la natura per le generazioni future."

ATTENZIONE

I gas di scarico contengono monossido di carbonio, un gas velenoso che in ambienti chiusi può raggiungere livelli nocivi. Respirare monossido di carbonio può portare alla perdita di conoscenza o alla morte.

Non azionare mai il generatore in un ambiente chiuso o anche parzialmente chiuso dove sono presenti persone.

Tenere il manuale dell'utente a portata di mano in modo da poterlo consultare in qualsiasi momento. Questo manuale dell'utente è considerato parte permanente del generatore e deve accompagnare il generatore qualora venga rivenduto.

Le informazioni e le specifiche incluse nella presente pubblicazioni erano in vigore al momento dell'autorizzazione alla stampa. Honda Motor Co., Ltd. si riserva, tuttavia, il diritto di interrompere o modificare le specifiche o il design in qualunque momento senza preavviso e senza incorrere in alcun obbligo.

- Le illustrazioni possono variare in base al tipo di macchina.

INTRODUZIONE

Congratulazioni per avere scelto un generatore Honda. Siamo sicuri che sarete soddisfatti di avere acquistato uno dei migliori generatori disponibili sul mercato.

Desideriamo aiutarvi ad ottenere i migliori risultati e ad azionare con sicurezza il vostro nuovo generatore. Questo manuale contiene informazioni su come farlo: vi preghiamo di leggerlo con attenzione.

Nel corso della lettura di questo manuale, vedrete che un simbolo **AVVISO** precede alcune informazioni. Lo scopo di tali informazioni è di aiutarvi a evitare di danneggiare il generatore, altri beni o l'ambiente.

Consigliamo di leggere la polizza di garanzia per comprendere a fondo la copertura offerta e le responsabilità derivanti dalla proprietà.

Quando il generatore necessita della manutenzione programmata, tenete presente che il concessionario Honda è specificamente addestrato a eseguire la manutenzione dei generatori Honda. Il vostro concessionario Honda desidera assicurare la vostra soddisfazione e sarà lieto di rispondere a tutte le vostre domande e perplessità.

Cordiali saluti,
Honda Motor Co., Ltd.


INFORMAZIONI DI SICUREZZA

La sicurezza propria e degli altri è molto importante. E l'utilizzo in sicurezza di questo generatore è una responsabilità importante.


Per aiutarvi a decidere con cognizione di causa in materia di sicurezza, abbiamo incluso le procedure operative e altre informazioni sulle etichette e nel presente manuale. Queste informazioni vi avvisano della presenza di potenziali pericoli che possono provocare lesioni a voi e ad altri.


Ovviamente, non è pratico o possibile avvertirvi di tutti i pericoli connessi con l'utilizzo o la manutenzione di un generatore. Dovrete esercitare il vostro buon senso.

Troverete informazioni di sicurezza importanti in varie forme, tra cui:

- **Etichette di sicurezza** — sul generatore.
- **Messaggi di sicurezza** — preceduti dal simbolo di allarme di sicurezza  e da uno dei tre termini di segnale, PERICOLO, ATTENZIONE o AVVERTENZA.

Queste parole significano:

 **PERICOLO** La mancata osservanza di queste istruzioni PROVOCA GRAVI LESIONI o la MORTE.

 **ATTENZIONE** La mancata osservanza di queste istruzioni POTREBBE PROVOCARE GRAVI LESIONI o la MORTE.

 **AVVERTENZA** La mancata osservanza di queste istruzioni POTREBBE PROVOCARE GRAVI LESIONI.

- **Titoli relativi alla sicurezza** — come *INFORMAZIONI DI SICUREZZA IMPORTANTI*.
- **Sezione relativa alla sicurezza** — come *SICUREZZA DEL GENERATORE*.
- **Istruzioni** — come utilizzare questo generatore in maniera corretta e sicura.

Questo intero manuale è pieno di informazioni importanti per la sicurezza — leggetelo attentamente.

INDICE

SICUREZZA DEL GENERATORE	6
INFORMAZIONI SULLA SICUREZZA IMPORTANTI	6
Responsabilità dell'operatore.....	6
Pericoli del monossido di carbonio	7
Pericolo di scossa elettrica	8
Pericolo di incendi e ustioni	8
Fare attenzione nell'effettuare il rifornimento di carburante	9
Antideflagrante	9
Smaltimento	9
UBICAZIONE DELLE ETICHETTE DI SICUREZZA	10
UBICAZIONI DELLE ETICHETTE DELLA RUMOROSITÀ E DEL MARCHIO CE	13
MARCHIO CE ED ETICHETTA DELLA RUMOROSITÀ.....	13
COMANDI E FUNZIONI	14
UBICAZIONE DEI COMPONENTI E DEI COMANDI	14
COMANDI	16
Interruttore PRINCIPALE.....	16
Pulsante DI AVVIAMENTO MOTORE.....	16
Impugnatura motorino di avviamento	17
Interruttore eco-acceleratore	17
Uscite per il funzionamento in parallelo	18
Protettori di circuiti a C.A.	18
Maniglia pieghevole	20
Coperchi di manutenzione	21
FUNZIONI.....	22
Terminale di messa a terra.....	22
Spia di USCITA	23
Spia di ALLARME DI SOVRACCARICO	23
Spia di CONTROLLO/OIL ALERT	24
i-Monitor	25
Indicatore livello carburante	28
PRIMA DELL'UTILIZZO	29
PRONTI A COMINCIARE?	29
Conoscenza.....	29
IL GENERATORE È PRONTO PER FUNZIONARE?	29
Controllare il motore	30
Coperchio di manutenzione della batteria.....	30

INDICE

FUNZIONAMENTO	31
PRECAUZIONI PER UN USO SICURO	31
AVVIAMENTO DEL MOTORE	33
ARRESTO DEL MOTORE	36
AVVIAMENTO DEL MOTORE con il COMANDO A DISTANZA (parti opzionali).....	37
SPEGNIMENTO DEL MOTORE con il COMANDO A DISTANZA (parti opzionali).....	38
FUNZIONAMENTO IN C.A.	39
Applicazioni a C.A.	41
FUNZIONAMENTO IN PARALLELO A C.A.	42
Applicazioni di funzionamento in parallelo a C.A.	44
INTERRUTTORE ECO-ACCELERATORE.....	46
ALIMENTAZIONE ELETTRICA DI EMERGENZA	47
Collegamento all'impianto elettrico di un edificio	47
Messa a terra del sistema.....	47
Requisiti speciali.....	48
MANUTENZIONE DEL GENERATORE	49
IMPORTANZA DELLA MANUTENZIONE.....	49
SICUREZZA DURANTE LA MANUTENZIONE	50
Precauzioni di sicurezza.....	50
PROGRAMMA DI MANUTENZIONE.....	51
RIFORNIMENTO	52
RACCOMANDAZIONI PER IL CARBURANTE	53
CONTROLLO LIVELLO OLIO MOTORE.....	54
CAMBIO DELL'OLIO MOTORE.....	55
RACCOMANDAZIONI PER L'OLIO MOTORE.....	56
MANUTENZIONE DEL FILTRO ARIA.....	57
PULIZIA DEL FILTRO DELL'ARIA DI SCHIUMA	58
MANUTENZIONE DELLA CANDELA	59
MANUTENZIONE DEL PARASCINTILLE	61
MANUTENZIONE DELLA BATTERIA	62
FUSIBILE	66
RIMESSAGGIO	67
PREPARAZIONE PER IL RIMESSAGGIO	67
Pulizia.....	67
Carburante	67
Olio motore	69
Batteria.....	69
PRECAUZIONI DI RIMESSAGGIO	70
RIMOZIONE DAL RIMESSAGGIO	70

TRASPORTO	71
TRATTAMENTO DEI PROBLEMI IMPREVISTI	73
IL MOTORE NON SI AVVIA	73
PERDITA DI POTENZA DEL MOTORE	74
ASSENZA DI ALIMENTAZIONE ELETTRICA A LIVELLO DELLE PRESE A C.A.	74
INFORMAZIONI TECNICHE	75
Ubicazione del numero di serie	75
Specifiche	76
Schema elettrico	78
Presa	79
MONTAGGIO	80
SICUREZZA	80
L'importanza di un corretto montaggio	80
Importanti precauzioni di sicurezza	81
MONTAGGIO	82
Disimballaggio	82
Parti sciolte	82
Installazione del kit delle ruote	83
Batteria	84
Olio motore	85
Carburante	85
Tensione della batteria	86
PRIMA DELL'UTILIZZO	86
PARTI OPZIONALI	87
KIT PER IL COMANDO A DISTANZA	87
KIT ATTACCAGLIA	89
Terza di copertina	
SCHEMA DI CABLAGGIO	Terza di copertina
INDIRIZZI DEI PRINCIPALI DISTRIBUTORI Honda	Terza di copertina
"Dichiarazione di conformità CE" PROSPETTO DEI CONTENUTI	Terza di copertina

SICUREZZA DEL GENERATORE

INFORMAZIONI SULLA SICUREZZA IMPORTANTI

I generatori Honda sono progettati per l'uso con apparecchiature elettriche aventi requisiti di alimentazione elettrica adeguati. Altri usi possono causare infortuni all'operatore o danneggiare il generatore e altre cose. La maggior parte degli infortuni o danni alle cose possono essere evitati seguendo tutte le istruzioni contenute nel presente manuale e sul generatore. Qui di seguito sono discussi i pericoli più comuni, unitamente al modo migliore per proteggere sé stessi e gli altri.

- Non tentare mai di modificare il generatore. Potrebbe causare un incidente oltre a danneggiare il generatore e gli apparecchi.
 - Non collegare un'estensione alla marmitta.
 - Non modificare il sistema di aspirazione.
 - Non correggere il regolatore.
 - Non rimuovere il pannello di controllo o non modificare il cablaggio del pannello di controllo.

Responsabilità dell'operatore

- Familiarizzare con la procedura di arresto rapido del generatore in caso di emergenza.
- Comprendere l'uso di tutti i comandi del generatore, le prese di uscita e le connessioni.
- Assicurarsi che tutti coloro che utilizzano il generatore siano adeguatamente addestrati. Evitare l'uso del generatore da parte di bambini senza la supervisione dei genitori.
- Attenersi alle istruzioni del presente manuale relative a come usare il generatore e le informazioni di manutenzione. Ignorare o seguire le istruzioni maniera impropria può provocare infortuni come scosse elettriche e un deterioramento delle condizioni dei gas di scarico.
 - Rispettare tutte le leggi e i regolamenti vigenti nel luogo di impiego del generatore.
 - La benzina e l'olio sono tossici. Prima dell'uso, attenersi alle istruzioni fornite da ciascun fabbricante.
 - Collocare il generatore su un luogo solido e pianeggiante prima di porlo in funzione.
 - Non azionare il generatore con alcun coperchio rimosso. Si rischia di rimanere intrappolati con una mano o un piede nel generatore e potrebbe provocare un infortunio.
 - Interpellare un concessionario autorizzato Honda in merito alle procedure di smontaggio e riparazione del generatore non incluse nel presente manuale.

Pericoli del monossido di carbonio

Lo scarico di un generatore contiene monossido di carbonio, un gas tossico incolore e inodore. Se inalato, il monossido di carbonio È LETALE NEL GIRO DI POCCHI MINUTI. Per evitare l'avvelenamento da monossido di carbonio, attenersi alle presenti istruzioni quando si utilizza il generatore.

- Azionare il generatore esclusivamente ALL'APERTO, lontano da finestre, porte e aperture di ventilazione.
- Non azionare mai un generatore all'interno di un'abitazione, un box, cantina, vespaio o qualsivoglia ambiente totalmente o parzialmente chiuso.
- Non azionare mai un generatore in prossimità di porte o finestre.
- In caso di sospetta inalazione di monossido di carbonio recarsi immediatamente all'aria aperta e chiamare un medico.

I primi sintomi di esposizione al monossido di carbonio includono mal di testa, affaticamento, difficoltà respiratorie, nausea e vertigini. La protratta esposizione al monossido di carbonio può causare perdita della coordinazione muscolare, perdita della conoscenza e quindi la morte.

SICUREZZA DEL GENERATORE

Pericolo di scossa elettrica

Il generatore produce abbastanza energia elettrica da causare una grave scossa elettrica o elettrocuzione.

- Non utilizzare in ambienti bagnati. Mantenere il generatore asciutto.
 - Non utilizzare in caso di pioggia o neve.
 - Non utilizzare in prossimità di una piscina o di un sistema di irrigazione a spruzzo.
 - Non utilizzare con le mani bagnate.
- Se il generatore viene conservato all'aperto, esposto alle intemperie, tutti i componenti elettrici sul pannello di controllo prima di ogni uso. Umidità o ghiaccio possono provocare un guasto o un corto circuito nei componenti elettrici che potrebbero causare elettrocuzione.
- Non collegare all'impianto elettrico di un edificio a meno che non sia stato installato un sezionatore da un elettricista qualificato.
- Per il funzionamento in parallelo, usare esclusivamente un kit di funzionamento in parallelo autorizzato Honda (apparecchiatura opzionale) quando si collega un generatore EU70is a un altro generatore EU70is.
- Mai collegare modelli diversi di generatore.

Pericolo di incendi e ustioni

L'impianto di scarico raggiunge temperature abbastanza elevate da incendiare alcuni materiali.

- Tenere il generatore distante almeno 1 metro da edifici o altre apparecchiature durante il funzionamento.
- Non racchiudere il generatore in alcuna struttura.
- Mantenere i materiali infiammabili a distanza di sicurezza dal generatore.

Durante il funzionamento la marmitta diventa estremamente calda e rimane molto calda per un po' di tempo dopo che il motore è stato spento. Fare attenzione a non toccare la marmitta quando è calda. Lasciar raffreddare il motore prima di conservare il generatore al chiuso.

SICUREZZA DEL GENERATORE

Fare attenzione nell'effettuare il rifornimento di carburante

La benzina è estremamente infiammabile e i suoi fumi sono esplosivi.

- Non rifornire di carburante durante il funzionamento.
- Lasciar raffreddare il motore se è stato in funzione.
- Il rifornimento di carburante va eseguito esclusivamente all'aperto, in un'area ben ventilata su una superficie pianeggiante.
- Non fumare mai nei pressi della benzina e mantenere altre fiamme e scintille a distanza di sicurezza.
- Non riempire eccessivamente il serbatoio del carburante.
- Accertarsi che gli eventuali sversamenti di carburante siano stati asportati prima di avviare il motore.
- Conservare sempre la benzina in un contenitore apposito.

Antideflagrante

Questo generatore non è antideflagrante.

Smaltimento

Nel rispetto dell'ambiente, non smaltire il generatore usato, la batteria, l'olio motore, ecc. insieme agli altri rifiuti.

Attenersi alle leggi e regolamenti locali o rivolgersi a un concessionario autorizzato Honda per lo smaltimento di queste parti.

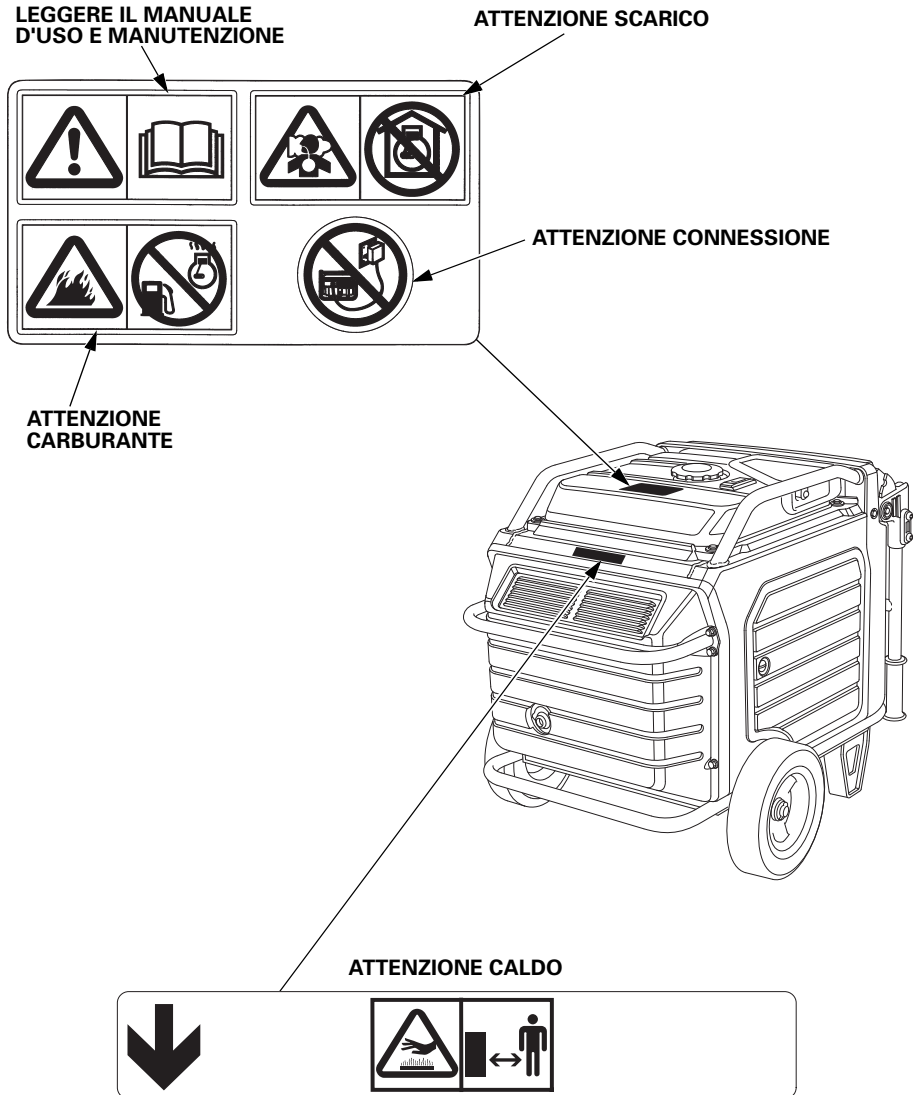
Smaltire l'olio esausto rispettando l'ambiente. Trasportarlo in un contenitore sigillato alla stazione di rifornimento locale. Non gettarlo nella spazzatura o rovesciarlo a terra.

Una batteria smaltita in maniera impropria può essere nociva per l'ambiente. Verificare sempre quali siano le norme vigenti a livello locale per lo smaltimento delle batterie. Rivolgersi al concessionario Honda per una batteria di ricambio.

SICUREZZA DEL GENERATORE

UBICAZIONE DELLE ETICHETTE DI SICUREZZA

Queste etichette avvertono dei potenziali pericoli che possono provocare gravi ferite. Leggerle con attenzione. Se un'etichetta si stacca o diventa illeggibile, rivolgersi al concessionario Honda per la sua sostituzione.



SICUREZZA DEL GENERATORE



- I generatori Honda sono progettati per operare in modo sicuro ed affidabile se usati secondo le istruzioni.

Prima di usare il generatore, leggere e comprendere il manuale d'uso e manutenzione. In caso contrario potrebbero verificarsi lesioni personali o danni alle attrezzature.



- La benzina è altamente infiammabile ed esplosiva.
Spegnere il motore e lasciarlo raffreddare prima di effettuare il rifornimento di carburante.



- Lo scarico contiene monossido di carbonio, un gas tossico incolore e inodore. La sua inalazione può causare la perdita di coscienza e portare alla morte.
- Se si aziona il generatore in un ambiente ristretto o anche un'area parzialmente chiusa, l'aria che si respira potrebbe contenere una quantità pericolosa di gas di scarico.
- Non azionare mai il generatore all'interno di un box, abitazione o nei pressi di porte o finestre.

SICUREZZA DEL GENERATORE



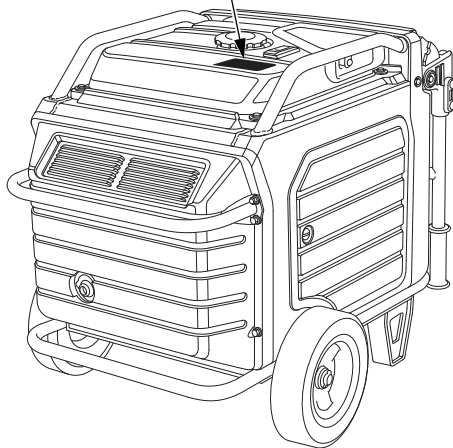
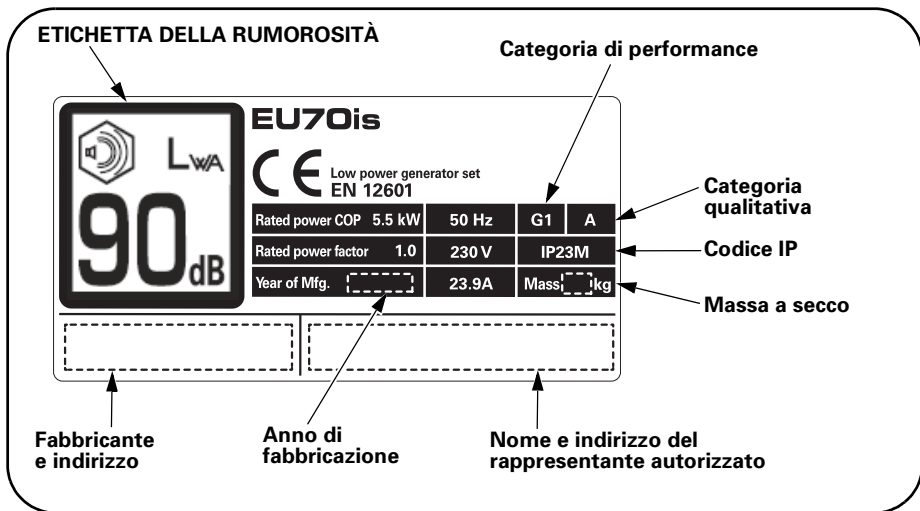
- **Collegamenti errati all'impianto elettrico dell'edificio possono consentire un ritorno di corrente dal generatore alle linee elettriche. Tale ritorno di corrente comporta un rischio di elettrocuzione per i dipendenti dell'azienda elettrica o chiunque altro venga a contatto con le linee elettriche durante un'interruzione dell'erogazione elettrica di rete e il generatore potrebbe esplodere, bruciare o provocare incendi quando l'erogazione elettrica di rete viene ripristinata. Interpellare l'azienda elettrica o un elettricista qualificato prima di stabilire dei collegamenti elettrici.**



- **Un sistema di scarico caldo può causare gravi ustioni. Evitare di toccarlo se il motore è stato in funzione.**

UBICAZIONI DELLE ETICHETTE DELLA RUMOROSITÀ E DEL MARCHIO CE

MARCHIO CE ED ETICHETTA DELLA RUMOROSITÀ



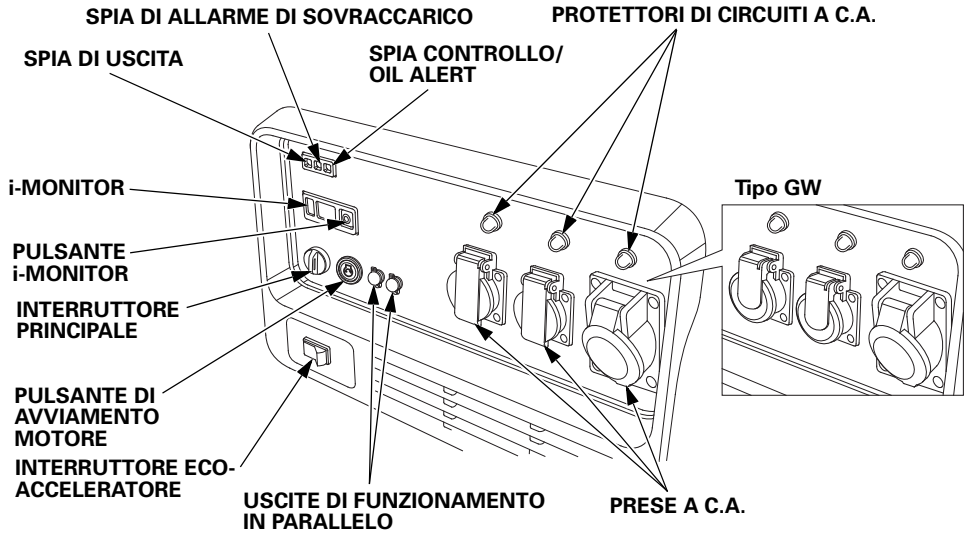
Nome e indirizzo del produttore e del rappresentante autorizzato sono contenuti nel PROSPETTO DEI CONTENUTI della "Dichiarazione di conformità CE" nel presente manuale dell'utente.

COMANDI E FUNZIONI

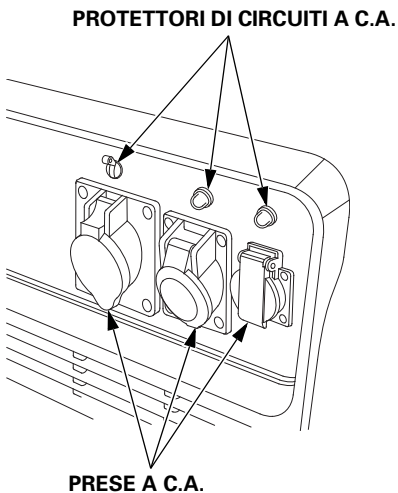
UBICAZIONE DEI COMPONENTI E DEI COMANDI

Usare le illustrazioni su queste pagine per individuare e identificare i comandi utilizzati più spesso.

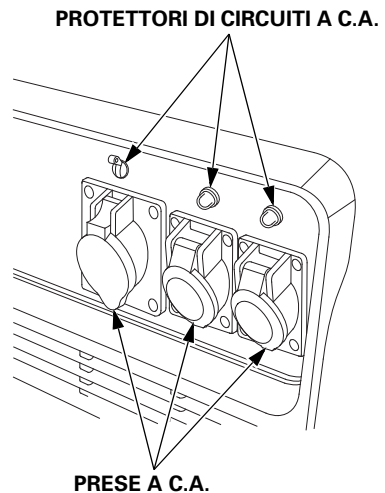
Tipo G



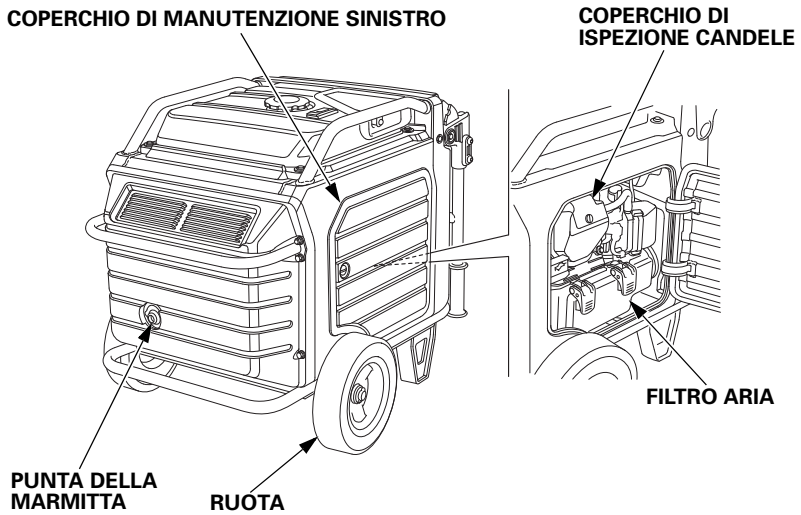
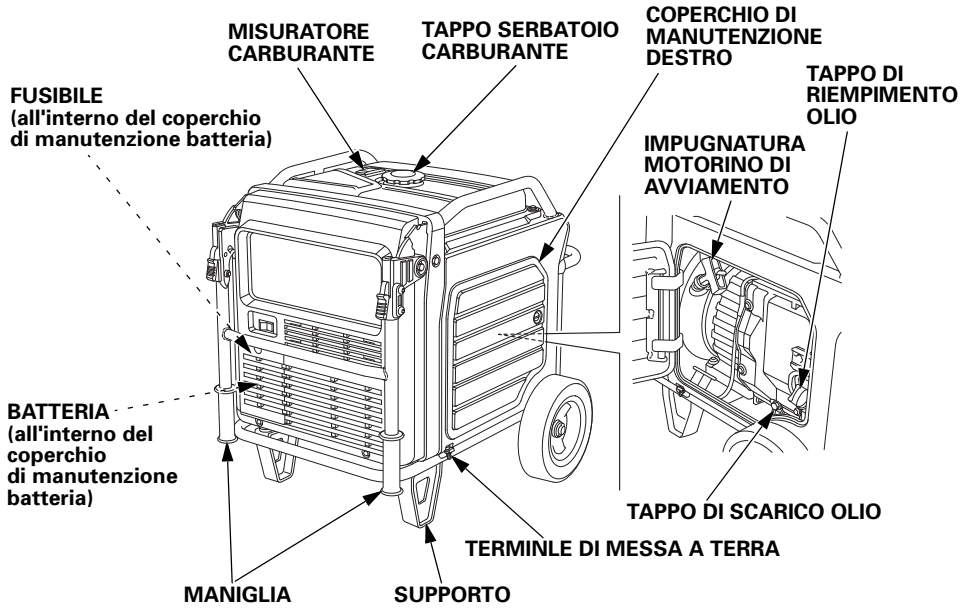
Tipo F



Tipo IT



COMANDI E FUNZIONI



COMANDI E FUNZIONI

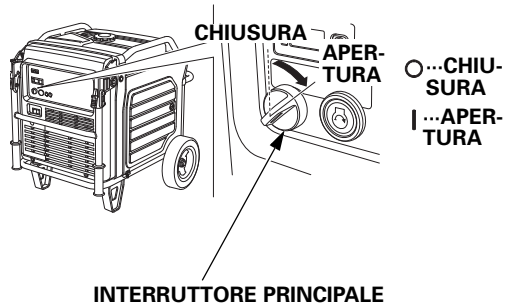
COMANDI

Interruttore PRINCIPALE

L'interruttore PRINCIPALE controlla il sistema di accensione.

CHIUSURA – Spegne il motore. La chiave dell'interruttore principale può essere rimossa/inserita.

APERTURA – Posizione di funzionamento e per l'avviamento con il pulsante **AVVIAMENTO MOTORE** o l'avviamento a strappo, e per usare il kit di comando a distanza (parti opzionali).



Pulsante DI AVVIAMENTO MOTORE

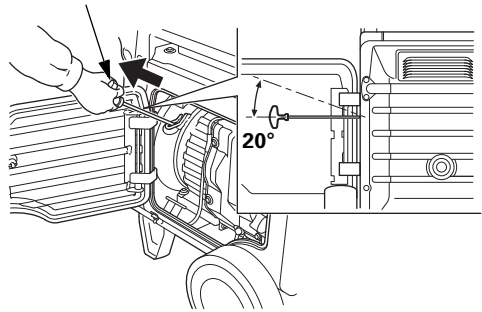
Con l'interruttore PRINCIPALE nella posizione ON, premere e rilasciare il pulsante **AVVIAMENTO MOTORE** per avviare il motore.



Impugnatura motorino di avviamento

Usata quando la tensione della batteria è insufficiente per azionare il motorino di avviamento. Tirando l'impugnatura del motorino di avviamento si aziona l'avviatore a strappo per avviare il motore.

IMPUGNATURA MOTORINO DI AVVIAMENTO



AVVISO

- *Quando si tira la maniglia del motorino di avviamento non inclinarla ad un angolo superiore a 20 gradi rispetto al piano orizzontale.*
- *Non lasciare che l'impugnatura del motorino di avviamento ritorni di scatto verso il motore. Riportarla in posizione con cautela per evitare di danneggiare il motorino di avviamento.*
- *Evitare che il cavo di avviamento sfregi contro il corpo del generatore per evitarne l'usura prematura.*

Interruttore eco-acceleratore

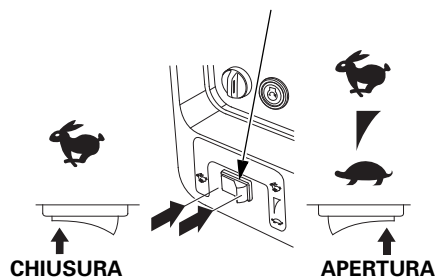
Il sistema eco-acceleratore riduce automaticamente il regime del motore quando tutti i carichi sono spenti/disconnessi. Quando gli apparecchi vengono accesi o ricollegati, il motore ritorna al corretto regime per alimentare il carico elettrico.

Se carichi elettrici elevati vengono collegati simultaneamente, portare l'interruttore eco-acceleratore nella posizione OFF per ridurre le variazioni di tensione.

ON – Consigliata per minimizzare il consumo di carburante e ridurre ulteriormente i livelli di rumorosità quando non viene applicato alcun carico oppure un carico ridotto al generatore.

OFF – Il sistema eco-acceleratore non funziona. Il generatore funziona a pieno regime.

INTERRUTTORE ECO-ACCELERATORE

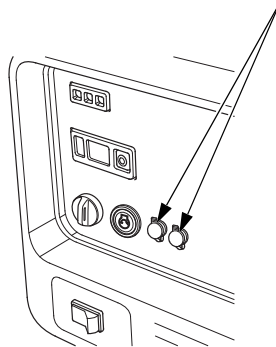


COMANDI E FUNZIONI

Uscite per il funzionamento in parallelo

Queste uscite vengono utilizzate per collegare il generatore EU70is a un altro generatore EU70is per il funzionamento in parallelo (vedere pagina 42). Per il funzionamento in parallelo è necessario un kit di funzionamento in parallelo autorizzato Honda (apparecchiatura opzionale). Tale kit può essere acquistato presso il concessionario.

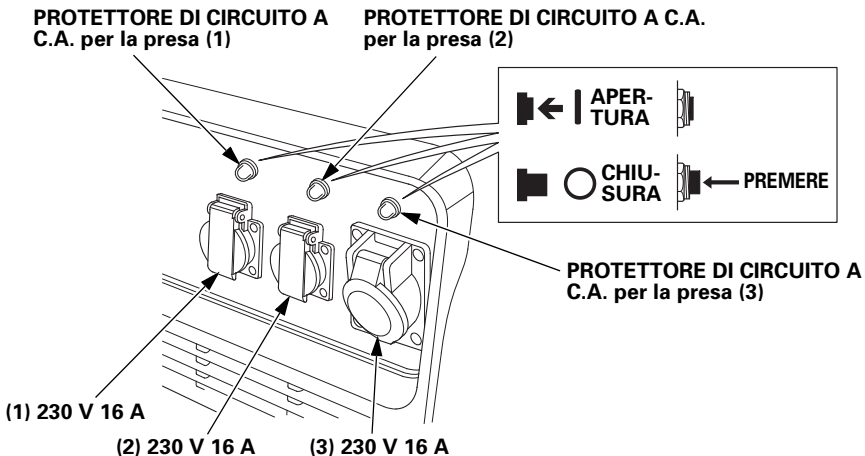
USCITE DI FUNZIONAMENTO IN PARALLELO



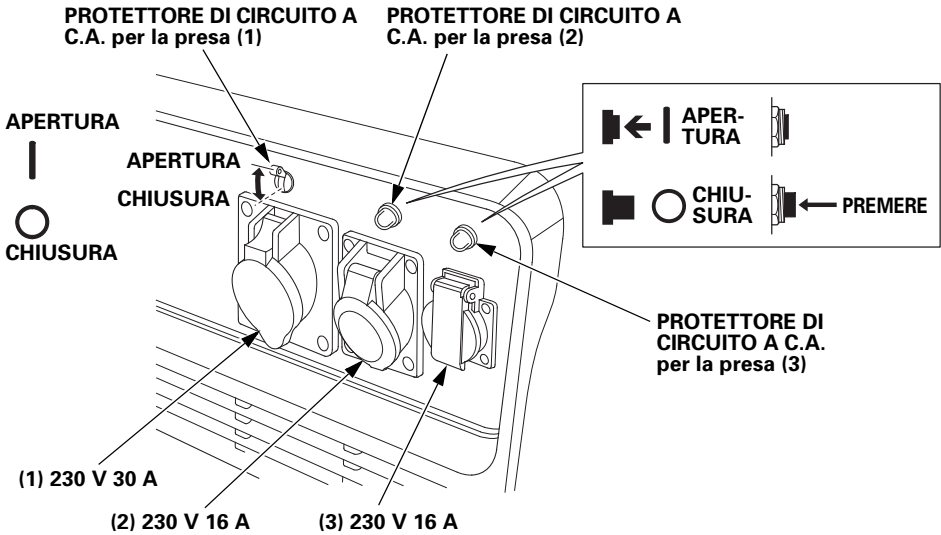
Protettori di circuiti a C.A.

I protettori di circuiti a C.A. si APRONO automaticamente se si verifica un corto circuito un sovraccarico significativo del generatore a livello di ciascuna presa. Se un protettore di circuito a C.A. si APRE automaticamente, controllare che l'apparecchio funzioni correttamente e non ecceda la capacità di carico nomina del circuito prima di RICHIUDERE il protettore di circuito a C.A.

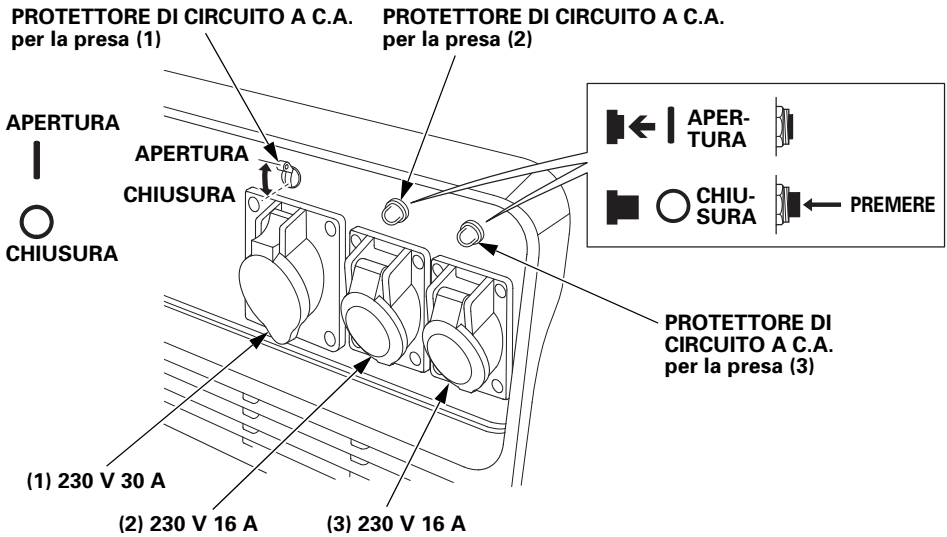
Tipi G, GW



Tipo F



Tipo IT



COMANDI E FUNZIONI

Maniglia pieghevole

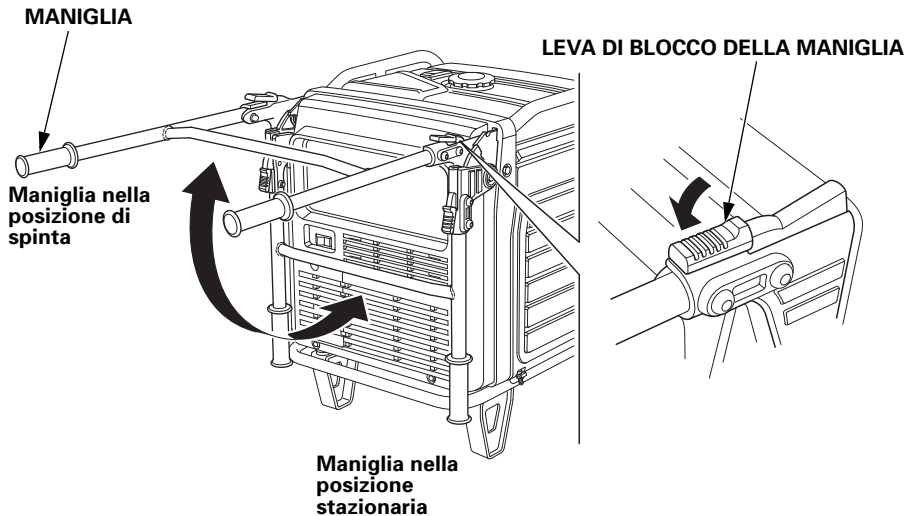
La maniglia pieghevole rende più facile spingere il generatore e deve essere ripiegata quando il generatore è fermo. Non appoggiare alcun oggetto sulla maniglia estesa.

Per estendere la maniglia

Solleverla la maniglia verso l'alto. Le leve di blocco scatteranno, bloccando in posizione la maniglia.

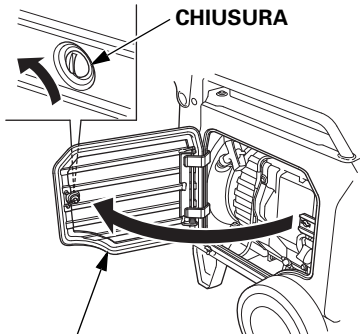
Per ripiegare la maniglia

1. Premere verso il basso le due leve di blocco della maniglia.
2. Abbassare la maniglia.



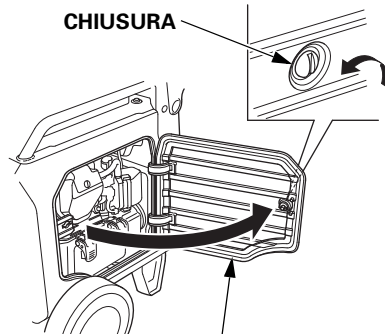
Coperchi di manutenzione

Posizione del coperchio di manutenzione.



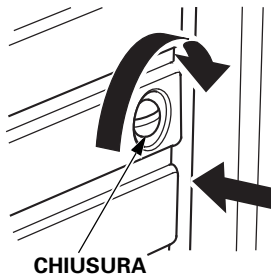
COPERTURA DI MANUTENZIONE DESTRO

- Controllo livello olio motore
- Cambio dell'olio motore
- Uso dell'avviamento a strappo



COPERTURA DI MANUTENZIONE SINISTRO

- Ispezione/sostituzione delle candele
- Ispezione/pulizia del filtro dell'aria



Premere il coperchio in posizione chiusa e ruotare la chiusura.

Verificare che i coperchi di manutenzione siano chiusi quando il generatore è in funzione.

AVVISO

Azionare il generatore con i coperchi di manutenzione aperti influirà negativamente sulle prestazioni del motore e causerà il surriscaldamento del generatore.

Per aprire:

ruotare la chiusura di 90° in senso antiorario.

Per chiudere:

ruotare la chiusura di 90° in senso orario per bloccare il coperchio, spingendolo contemporaneamente.

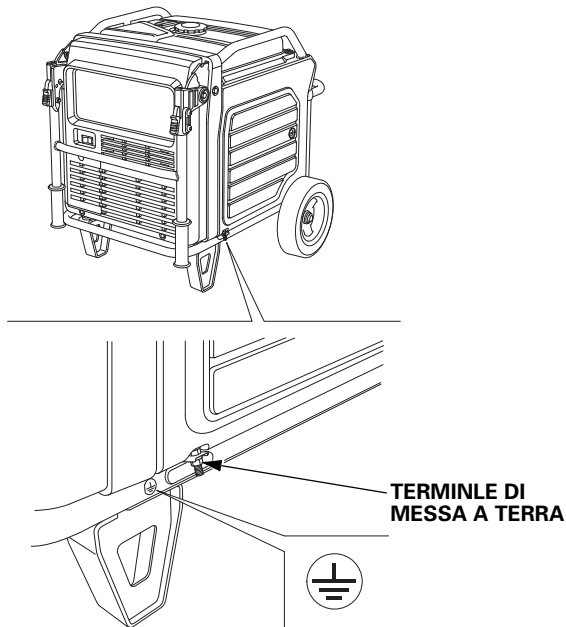
COMANDI E FUNZIONI

FUNZIONI

Terminale di messa a terra

Il terminale di messa a terra è collegato al telaio del generatore, le parti metalliche non in tensione del generatore e i terminali di messa a terra di ciascuna presa.

Prima di usare il terminale di messa a terra, interpellare un elettricista qualificato, ispettore elettrico o un ente locale competente in materia di ordinanze e regolamenti locali attinenti all'uso previsto del generatore.



Il generatore produce abbastanza energia elettrica da causare una grave scossa elettrica o elettrocuzione.

Collegare a terra il generatore nel caso in cui l'apparecchio a cui è connesso sia collegato a terra.

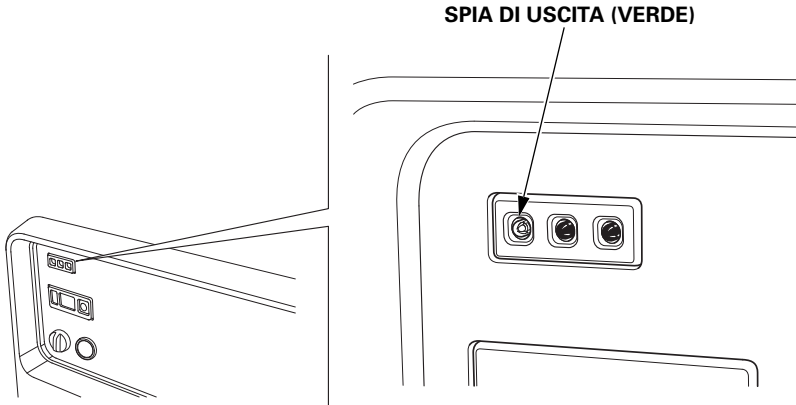
Per collegare a terra il terminale del generatore, usare un filo di rame avente un diametro pari o superiore al cavo di alimentazione dell'apparecchio connesso.

Utilizzare un cavo di prolunga con conduttore di terra quando si collega un apparecchio con conduttore di terra.

Per identificare il perno di messa a terra, fare riferimento alla pagina della Presa 79.

Spia di USCITA

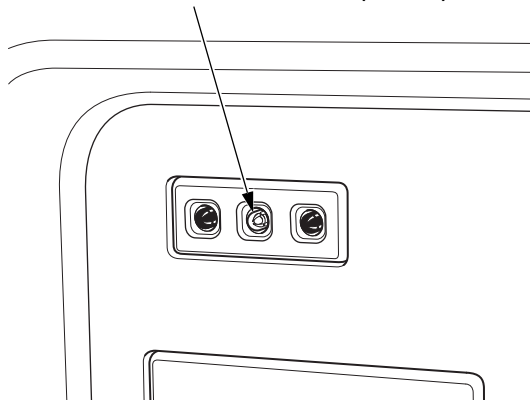
La spia verde di USCITA è accesa quando il generatore funziona normalmente. Tale spia indica che il generatore sta erogando energia elettrica alle prese.



Spia di ALLARME DI SOVRACCARICO

Se il generatore è sovraccarico, oppure si verifica un corto circuito in un apparecchio connesso, oppure in caso di surriscaldamento dell'inverter, si ACCENDE la spia rossa di ALLARME DI SOVRACCARICO. Quando il generatore funziona in condizioni di sovraccarico, la spia rossa ALLARME DI SOVRACCARICO rimane ACCESA e, dopo circa cinque secondi l'erogazione di corrente all'apparecchio/i connesso/i viene interrotta e la spia verde di USCITA si SPEGNE.

SPIA DI ALLARME DI SOVRACCARICO (ROSSA)



COMANDI E FUNZIONI

Spia di CONTROLLO/OIL ALERT

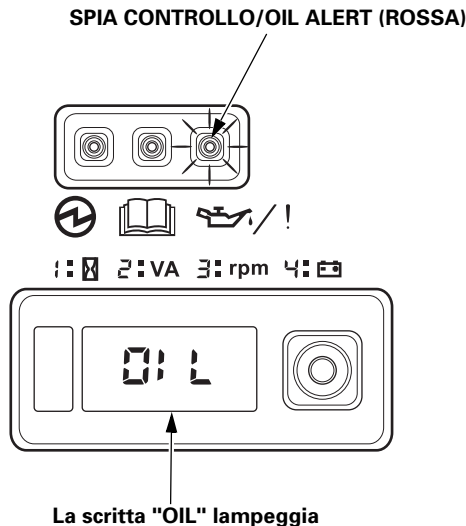
Il sistema Oil Alert è progettato per evitare che il motore subisca dei danni dovuti ad una quantità insufficiente di olio nel carter. Prima che l'olio nel carter scenda sotto il limite di sicurezza, si ACCENDE la spia CONTROLLO/OIL ALERT e il sistema Oil Alert ferma automaticamente il motore (l'interruttore PRINCIPALE resta in posizione ON).

Sullo schermo del display i-Monitor lampeggia la scritta "OIL" e si accende la spia CONTROLLO/OIL ALERT.

Se il motore si spegne o la spia CONTROLLO/OIL ALERT si ACCENDE quando si preme il pulsante AVVIAMENTO MOTORE o si tira la maniglia di avviamento a strappo, controllare il livello dell'olio (vedere pagina 54) prima di considerare altre possibili cause.

Anche dopo che è stato aggiunto olio al motore, il generatore non ripartirà a meno che non venga ripristinata la spia CONTROLLO/OIL ALERT. Per ripristinare la spia CONTROLLO/OIL ALERT, portare l'interruttore PRINCIPALE nella posizione OFF, aggiungere la corretta quantità di olio (vedere pagina 54), e quindi riportare l'interruttore PRINCIPALE nella posizione ON.

Se la spia CONTROLLO/OIL ALERT lampeggia, rivolgersi al concessionario.



i-Monitor

i-Monitor è un'interfaccia utente che consente all'operatore di visualizzare (quando il generatore è funzione) il tempo di esercizio totale espresso in ore, la potenza erogata dal generatore, il regime di giri/min. del motore, la tensione della batteria ed eventuali messaggi di errore. Le diverse modalità del display vengono selezionate premendo il pulsante i-Monitor.

i-Monitor all'avviamento

Durante la fase di avviamento, il display i-Monitor e le tre spie luminose lampeggeranno simultaneamente una sola volta. Ciò consente di controllare la condizione del display i-Monitor e delle tre spie. Quando il generatore è in funzione, restano accese la spia verde USCITA e il display i-Monitor.

La retroilluminazione del display lampeggia

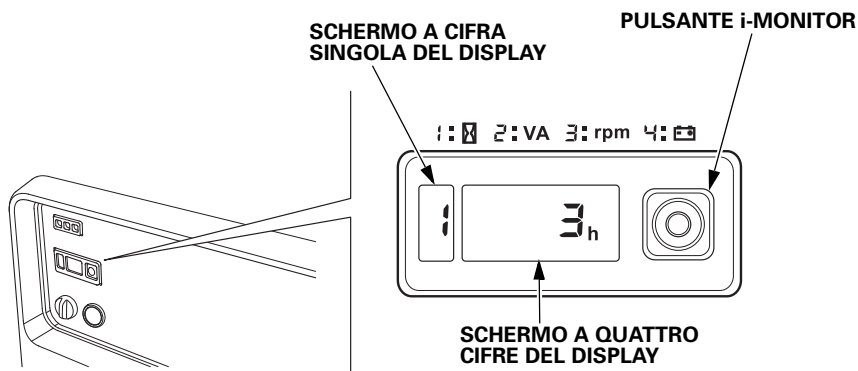
Se la chiave viene lasciata nella posizione ON per oltre 30 secondi senza avviare il motore, il display inizia a lampeggiare.

Display i-Monitor

Il display i-Monitor è suddiviso in due schermi. Lo schermo a singola cifra indica la modalità di i-Monitor, che è rappresentata da un numero da 1 a 4. Lo schermo a quattro cifre indica i valori delle quattro modalità o gli eventuali messaggi di errore attivati.

Modalità 1 del display i-Monitor – Numero totale di ore di esercizio

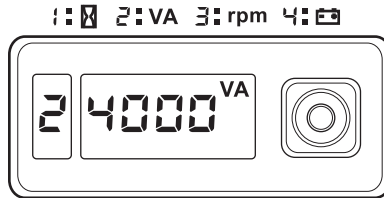
Questa modalità visualizza il numero totale di ore di esercizio del generatore. Durante il funzionamento del generatore, il tempo di esercizio totale si accumula. Se il tempo di esercizio totale è inferiore a un'ora, verrà visualizzato il numero "0". Quando il tempo di esercizio è pari o superiore a un'ora, verrà visualizzato il valore "1", o "2" e così via. Basare il programma di manutenzione del generatore sul tempo complessivo visualizzato.



COMANDI E FUNZIONI

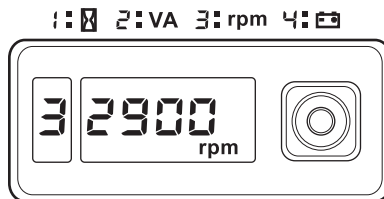
Modalità 2 del display i-Monitor – Corrente erogata

Questa modalità visualizza sullo schermo del display un valore approssimativo della potenza erogata dal generatore. Tale potenza erogata è espressa in VA (volt-ampere). Il valore di potenza erogata non è una misurazione esatta e va considerato soltanto a titolo indicativo. La potenza erogata non verrà indicata se non è presente un carico collegato al generatore.



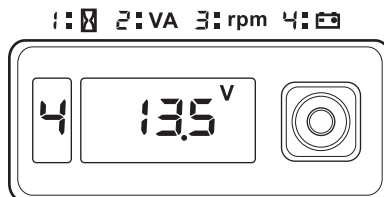
Modalità 3 del display i-Monitor 3 – GIRI/MIN. del motore

Quando i-Monitor è in questa modalità, viene visualizzato il regime del motore, espresso in giri al minuto (GIRI/MIN.).



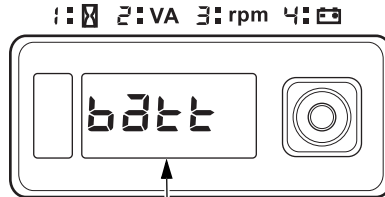
Modalità 4 del display i-Monitor – Tensione della batteria

Questa modalità visualizza la condizione della batteria, espressa in volt C.C.



Messaggio di batteria scarica su i-Monitor

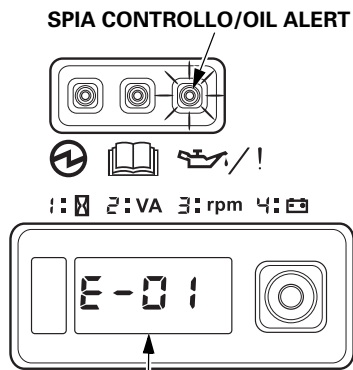
Se alla pressione del pulsante AVVIAMENTO MOTORE sul display i-Monitor lampeggia la scritta "batt", la tensione della batteria è insufficiente per azionare il motorino elettrico di avviamento del motore. Avviare il generatore usando l'avviatore a strappo. Far ricaricare e controllare la batteria (vedere pagina 65).



La scritta "batt" lampeggia

Messaggi di errore del sistema i-Monitor

Se il generatore presenta un guasto di sistema, viene visualizzato un messaggio di errore lampeggiante sul display i-Monitor. Durante il funzionamento con comando a distanza, potrebbe comparire un messaggio di errore E-01 se si preme il pulsante di AVVIAMENTO MOTORE per più di 10 secondi. Se compare il messaggio di errore E-01, il motore rimarrà in funzione e l'erogazione elettrica potrebbe rimanere costante. Il normale funzionamento con comando a distanza verrà ripristinato dopo che il messaggio di errore E-01 viene cancellato automaticamente. Se il messaggio di errore E-01 non viene cancellato automaticamente o se compaiono altri messaggi di errore, rivolgersi al concessionario.

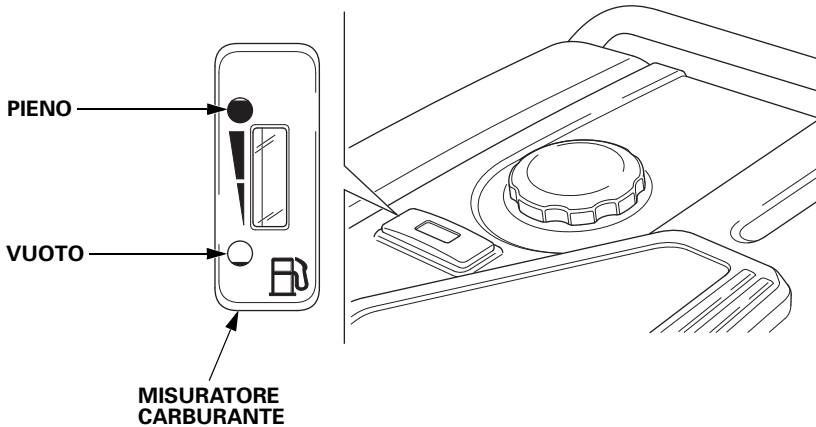


MESSAGGIO DI ERRORE
(Esempio: E-01)
"E-01" lampeggia

COMANDI E FUNZIONI

Indicatore livello carburante

L'indicatore livello carburante è un dispositivo meccanico che misura il livello del carburante nel serbatoio. L'indicatore rosso nello spioncino indica il livello in relazione alle condizioni i pieno o vuoto. Per incrementare il tempo operativo, iniziare con il serbatoio pieno prima dell'entrata in funzione. Controllare il livello del carburante con il generatore su una superficie in piano. Effettuare il rifornimento di carburante sempre a motore SPENTO e freddo.



PRIMA DELL'UTILIZZO

PRONTI A COMINCIARE?

Siete responsabili della vostra stessa sicurezza. Dedicare qualche minuto ai necessari preparativi ridurrà considerevolmente il rischio di infortunio.

Conoscenza

Leggere e comprendere il presente manuale. Conoscere le funzioni dei comandi e come adoperarli.

Familiarizzarsi con il generatore e il suo funzionamento prima di iniziare a utilizzarlo. Familiarizzarsi con la procedura di arresto rapido del generatore in caso di emergenza.

Se il generatore viene utilizzato per alimentare degli apparecchi, verificare che essi non superino il limite di carico nominale del generatore (vedere pagina 41).

IL GENERATORE È PRONTO PER FUNZIONARE?

Per la propria sicurezza, per garantire la conformità alle normative ambientali e per massimizzare la vita utile dell'apparecchiatura, è estremamente importante dedicare alcuni istanti alla verifica delle condizioni del generatore prima di accenderlo. Occuparsi dei problemi eventualmente individuati o farli risolvere dal concessionario prima di azionare il generatore.

ATTENZIONE

Se la manutenzione al generatore viene fatta in modo improprio o se non si risolve un problema prima di azionare il generatore, si rischia di provocare un guasto che potrebbe causare infortuni gravi.

Eseguire sempre i controlli appropriati prima di ogni uso e risolvere gli eventuali problemi riscontrati.

Per evitare il rischio di incendio, tenere il generatore ad almeno 1 metro di distanza da edifici o altre apparecchiature durante il funzionamento. Non collocare oggetti infiammabili vicino al motore.

Prima di iniziare i controlli preliminari, verificare che il generatore sia posizionato su una superficie solida e pianeggiante e che l'interruttore PRINCIPALE sia nella posizione OFF.

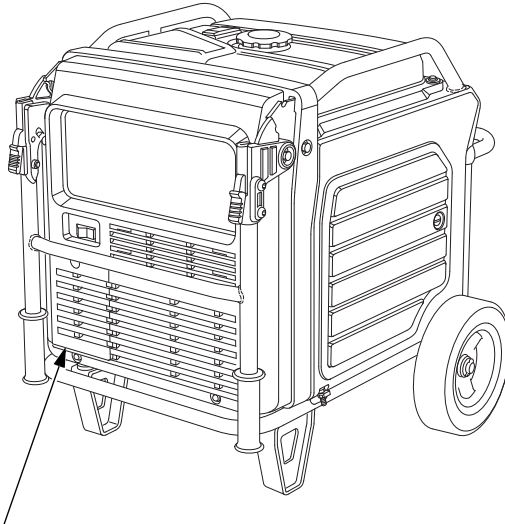
PRIMA DELL'UTILIZZO

Controllare il motore

- Prima dell'uso, controllare se il motore presenta segni di perdite di olio o benzina.
- Controllare il livello dell'olio motore (vedere pagina 54). Un livello insufficiente dell'olio motore indurrà il sistema Oil Alert a spegnere il motore.
- Controllare i filtri dell'aria (vedere pagina 57). I filtri dell'aria sporchi limitano il flusso d'aria all'impianto di alimentazione, riducendo le prestazioni del motore e del generatore.
- Controllare il livello del carburante (vedere pagina 52). Effettuando l'avviamento a serbatoio pieno si contribuisce ad eliminare o ridurre le interruzioni del funzionamento a causa della necessità del rifornimento.

Coperchio di manutenzione della batteria

Non azionare mai il generatore con il coperchio di manutenzione della batteria aperto in quanto ciò comprometterebbe le prestazioni del motore e del generatore.



COPERCHIO DI MANUTENZIONE DELLA BATTERIA

FUNZIONAMENTO

PRECAUZIONI PER UN USO SICURO

Prima di azionare il generatore per la prima volta, rileggere i capitoli *SICUREZZA DEL GENERATORE* (vedere pagina 6) e *PRIMA DELL'UTILIZZO* (vedere pagina 29).

Per la propria sicurezza, non azionare il generatore in un ambiente chiuso quale un box. I gas di scarico del generatore contengono monossido di carbonio, un gas velenoso che può rapidamente saturare un ambiente chiuso e causare disturbi o risultare letale.

ATTENZIONE

I gas di scarico contengono monossido di carbonio, un gas velenoso che in ambienti chiusi può raggiungere livelli nocivi. Respirare monossido di carbonio può portare alla perdita di conoscenza o alla morte.

Non azionare mai il generatore in un ambiente chiuso o anche parzialmente chiuso dove sono presenti persone.

Prima di collegare un cavo di alimentazione o un apparecchio a C.A. al generatore:

- Usare cavi di prolunga tripolari, strumenti e apparecchi con messa a terra o strumenti e apparecchi a doppio isolamento.
- Controllare i cavi e le spine e sostituirli se danneggiati.
- Verificare che l'apparecchio funzioni correttamente. Cavi di alimentazione o apparecchi difettosi possono creare un potenziale rischio di elettrocuzione.
- Verificare che la potenza elettrica nominale dell'utensile o apparecchio non sia superiore alla potenza nominale del generatore o della presa utilizzata.
- Azionare il generatore a una distanza di almeno 1 metro da edifici e altre apparecchiature.
- Non azionare il generatore in una struttura chiusa.
- Non collocare oggetti infiammabili vicino al motore.

FUNZIONAMENTO

- Non superare il limite di corrente specificato per una qualsiasi presa.
- Non modificare o utilizzare il generatore per scopi diversi da quelli a cui è destinato. Durante l'utilizzo del generatore attenersi, inoltre, a quanto segue:
- Non collegare un'estensione al tubo di scarico.
- Laddove sia necessario un cavo di prolunga, usare un cavo flessibile con una robusta guaina di gomma (a norma IEC 245 o equivalente).
- Limitare la lunghezza dei cavi di prolunga; 60 m per i cavi di 1,5 mm² e 100 m per i cavi di 2,5 mm². Lunghi cavi di prolunga ridurranno la potenza utile a causa della loro resistenza.
- Mantenere il generatore lontano da altri cavi o fili elettrici come linee di alimentazione elettrica commerciali.

Frequenza di utilizzo

Se il generatore verrà utilizzato occasionalmente o in maniera intermittente, (più di 4 settimane prima del prossimo utilizzo) consultare la sezione dedicata alla manutenzione della batteria del capitolo *MANUTENZIONE DEL MOTORE* (vedere pagina 62) e la sezione dedicata al carburante del capitolo *RIMESSAGGIO* (vedere pagina 67) per ulteriori informazioni in merito al deterioramento della batteria e del carburante.

AVVIAMENTO DEL MOTORE

Per evitare il rischio di incendio, tenere il generatore ad almeno 1 metro di distanza da edifici o altre apparecchiature durante il funzionamento. Non collocare oggetti infiammabili vicino al motore.

AVVISO

- *Azionare il presente generatore a una distanza inferiore a 1 metro da un edificio o altro ostacolo potrebbe provocare il surriscaldamento e danneggiamento del generatore.*
- *Per un adeguato raffreddamento, lasciare almeno 1 metro di spazio vuoto sopra e attorno il generatore. Mantenere aperte tutte le prese d'aria di raffreddamento e sgombre da detriti, fango, acqua, ecc. Le prese d'aria di raffreddamento sono ubicate sul pannello di controllo e nelle parte inferiore del generatore. Se le prese d'aria di raffreddamento vengono ostruite, il generatore potrebbe surriscaldarsi danneggiando il motore, l'inverter o gli avvolgimenti.*

Fare riferimento alle *PRECAUZIONI PER UN USO SICURO* a pagina 31 ed eseguire i controlli *IL GENERATORE È PRONTO PER FUNZIONARE?* (vedere pagina 29).

Consultare il *FUNZIONAMENTO A C.A.* (vedere pagina 39) per il collegamento dei carichi al generatore.

1. Verificare che tutti gli apparecchi siano scollegati dalle prese a C.A..

FUNZIONAMENTO

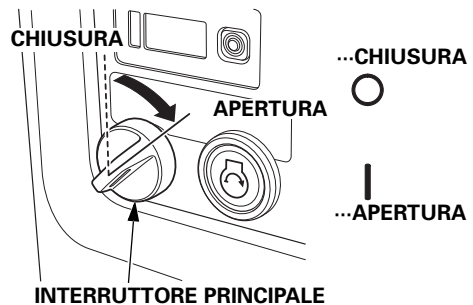
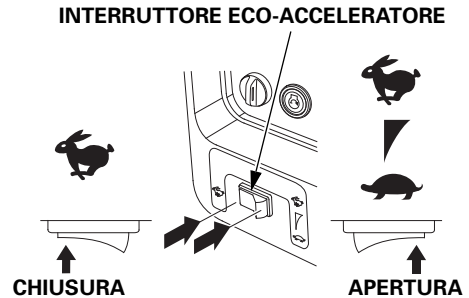
2. Verificare che l'interruttore eco-acceleratore sia nella posizione OFF, altrimenti il riscaldamento richiederà più tempo.

Se si desidera utilizzare il sistema eco-acceleratore, portare l'interruttore eco-acceleratore nella posizione ON dopo che il motore si è riscaldato per 2 o 3 minuti.

3. Ruotare l'interruttore PRINCIPALE in posizione ON.

4. Premere e rilasciare il pulsante AVVIAMENTO MOTORE. Il pulsante AVVIAMENTO MOTORE entra in funzione per 5 secondi. Non appena il motore si avvia, il motorino di avviamento si ferma automaticamente.

Se il motore non dovesse partire, attendere almeno 10 secondi prima di azionare di nuovo il motorino.



Non lasciare l'interruttore PRINCIPALE nella posizione ON quando il generatore non è in funzione, per evitare di scaricare la batteria. Portare l'interruttore PRINCIPALE nella posizione OFF quando non è in uso.

- Usare l'avviatore a strappo quando la tensione della batteria è insufficiente per azionare il motorino di avviamento.

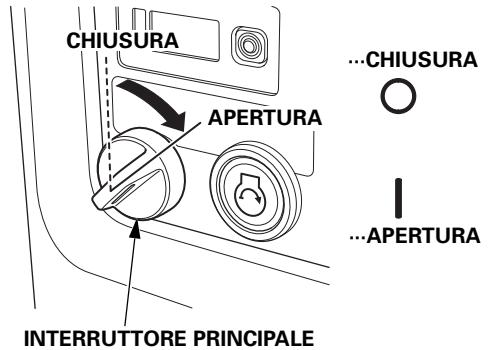
- a. Ruotare l'interruttore PRINCIPALE in posizione ON.
- b. Aprire il coperchio di manutenzione destro ruotando la relativa chiusura in senso antiorario.
- c. Tirare lentamente l'impugnatura del motorino di avviamento fino ad incontrare resistenza, quindi tirare di scatto verso la direzione indicata dalla freccia in figura.

AVVISO

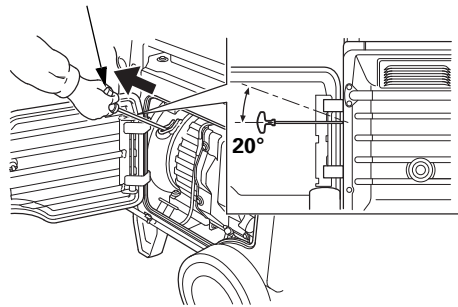
- *Quando si tira la maniglia del motorino di avviamento non inclinarla ad un angolo superiore a 20 gradi rispetto al piano orizzontale.*
- *Non lasciare che l'impugnatura del motorino di avviamento ritorni di scatto verso il motore. Riportarla in posizione con cautela per evitare di danneggiare il motorino di avviamento.*
- *Evitare che il cavo di avviamento sfregghi contro il corpo del generatore per evitarne l'usura prematura.*

- d. Chiudere il coperchio di manutenzione destro ruotando la relativa chiusura in senso orario.

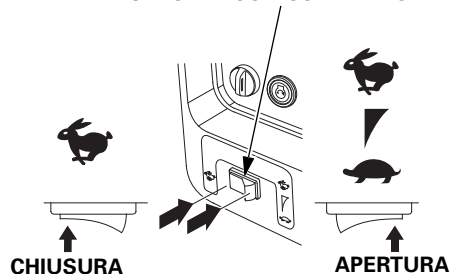
5. Se si desidera usare il sistema eco-acceleratore, portare l'interruttore eco-acceleratore nella posizione ON dopo che il motore si è riscaldato per 2 o 3 minuti.



IMPUGNATURA MOTORINO DI AVVIAMENTO



INTERRUTTORE ECO-ACCELERATORE



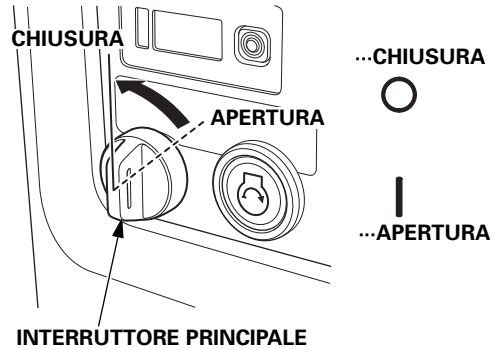
FUNZIONAMENTO

ARRESTO DEL MOTORE

Per fermare il motore in caso di emergenza, portare semplicemente l'interruttore PRINCIPALE in posizione OFF.

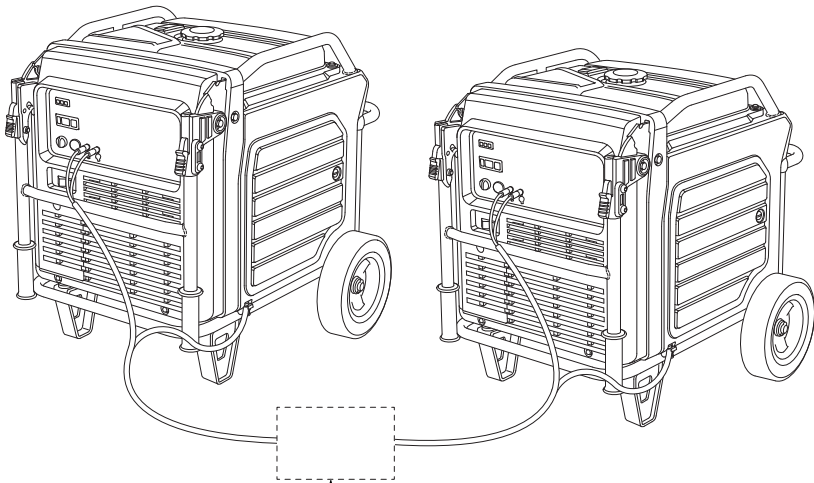
In condizioni normali, utilizzare la procedura seguente.

1. Portare l'interruttore PRINCIPALE in posizione OFF.



2. Scollegare tutti gli apparecchi dalle prese a C.A. del generatore.

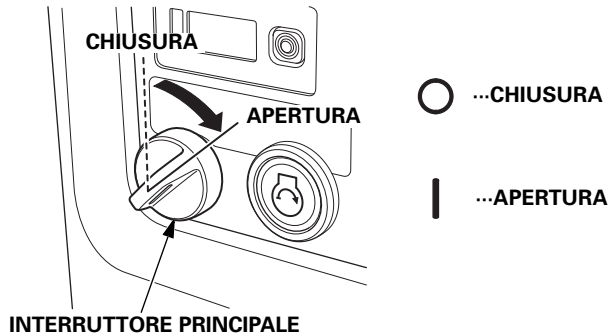
3. Se due generatori sono stati collegati per il funzionamento in parallelo, scollegare il cavo di funzionamento in parallelo dopo avere spento i motori se non si desidera riprendere il funzionamento in parallelo.



KIT DI FUNZIONAMENTO IN PARALLELO
(accessorio opzionale)

AVVIAMENTO DEL MOTORE con il COMANDO A DISTANZA (parte opzionale)

1. Ruotare l'interruttore PRINCIPALE del generatore in posizione ON.

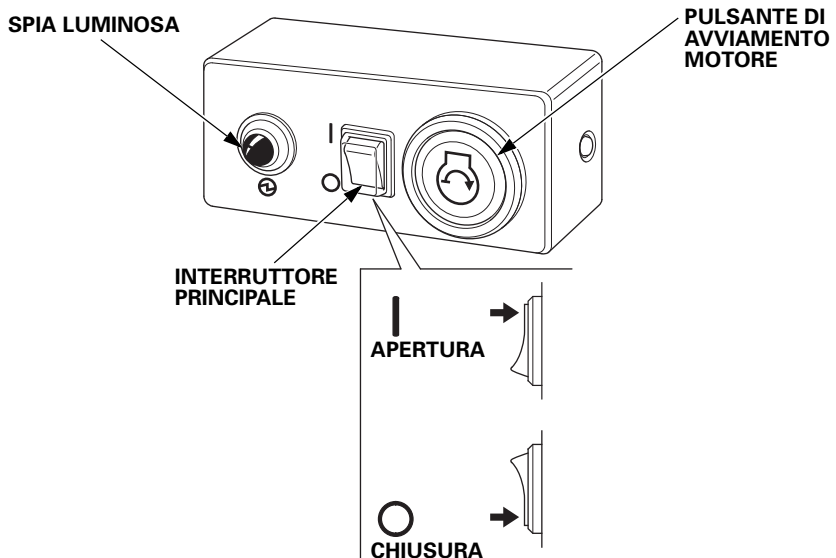


2. Ruotare l'interruttore PRINCIPALE del comando a distanza in posizione ON.
3. Premere e rilasciare il pulsante AVVIAMENTO MOTORE.

Il pulsante AVVIAMENTO MOTORE entra in funzione per 5 secondi. Non appena il motore si avvia, il motorino di avviamento si fermerà automaticamente.

La spia luminosa si accende quando il motore si avvia.

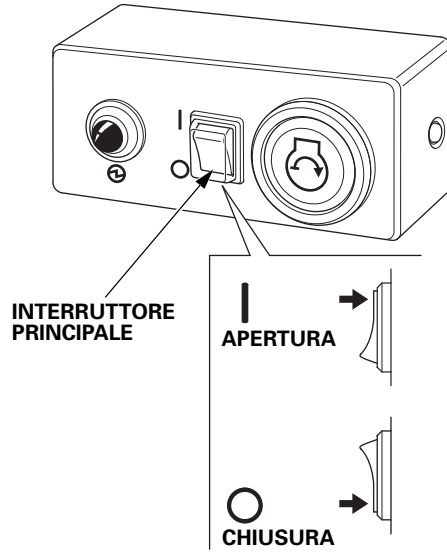
Se il motore non dovesse partire, attendere almeno 10 secondi prima di azionare di nuovo il motorino.



FUNZIONAMENTO

SPEGNIMENTO DEL MOTORE con il COMANDO A DISTANZA (parte opzionale)

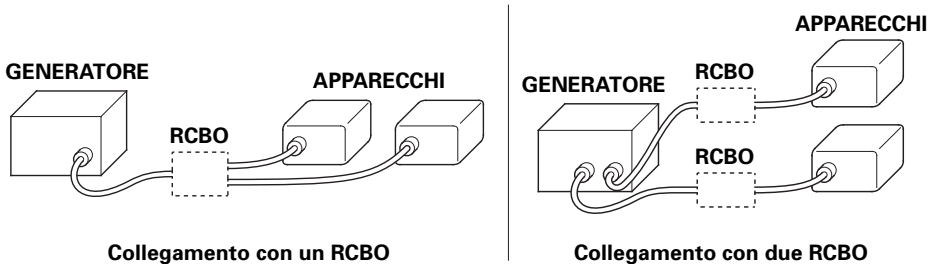
1. Ruotare l'interruttore PRINCIPALE del comando a distanza in posizione OFF.



FUNZIONAMENTO IN C.A.

Collegare un RCBO (interruttore differenziale con protezione magnetotermica) da rilevamento di guasto di messa a terra di 30 mA e tempo di intervento inferiore a 0,4 secondi a più di 30 mA di corrente erogata se si stanno utilizzando due o più apparecchi.

Prima dell'uso, attenersi alle istruzioni fornite da ciascun fabbricante di RCBO.



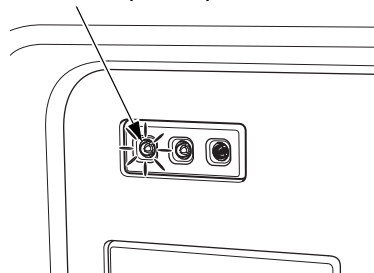
Se un apparecchio inizia a funzionare in maniera anomala, lenta o si ferma improvvisamente, spegnerlo immediatamente. Scollegare l'apparecchio e accertare se il problema è riconducibile all'apparecchio o al superamento della capacità di carico nominale del generatore.

AVVISO

Un sostanziale sovraccarico che determina la continua accensione della spia rossa ALLARME DI SOVRACCARICO potrebbe danneggiare il generatore. Un sovraccarico marginale che determina la temporanea accensione della spia rossa ALLARME DI SOVRACCARICO potrebbe ridurre la durata utile del generatore.

1. Avviare il motore e verificare che si accendi la spia verde USCITA.

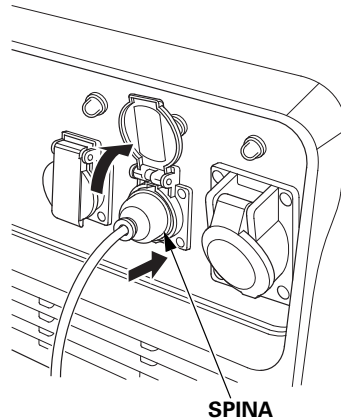
SPIA DI USCITA (VERDE)



FUNZIONAMENTO

2. Collegare l'apparecchio.

La maggior parte degli apparecchi motorizzati richiede un wattaggio superiore a quello nominale per l'avviamento.



Se il generatore è sovraccarico, oppure si verifica un corto circuito in un apparecchio connesso, oppure in caso di surriscaldamento dell'inverter, si ACCENDE la spia rossa di ALLARME DI SOVRACCARICO. La spia rossa ALLARME DI SOVRACCARICO rimane ACCESA e, dopo circa cinque secondi l'erogazione di corrente all'apparecchio/i connesso/i viene interrotta e la spia verde di USCITA si SPENDE. Spegnere il motore e investigare il problema.

Determinare se la causa è un corto circuito in un apparecchio collegato, un sovraccarico oppure il surriscaldamento dell'inverter. Eliminare il problema e riavviare il generatore.

Prima di collegare un apparecchio al generatore, verificare che sia in buone condizioni e che la sua potenza elettrica nominale non sia superiore a quella del generatore. Quindi, avviare il generatore e collegare il cavo di alimentazione dell'apparecchio.

Quando viene avviato un motorino elettrico, la spia rossa ALLARME DI SOVRACCARICO potrebbe accendersi. Ciò è normale purché la spia rossa ALLARME DI SOVRACCARICO si SPENGA dopo circa cinque secondi. Se la spia rossa ALLARME DI SOVRACCARICO rimane ACCESA consultare il concessionario.

Applicazioni a C.A.

Prima di collegare un cavo di alimentazione o un apparecchio al generatore:

- Verificare che l'apparecchio funzioni correttamente. Cavi di alimentazione o apparecchi difettosi possono creare un potenziale rischio di elettrocuzione.
- Se un apparecchio inizia a funzionare in maniera anomala, lenta o si ferma improvvisamente, spegnerlo immediatamente. Scollegare l'apparecchio e stabilire se il problema è costituito dall'apparecchio o dal superamento della capacità di carico nominale del generatore.

La maggior parte dei motorini di apparecchi richiede un wattaggio superiore a quello nominale per l'avviamento.

Verificare che la potenza elettrica nominale dell'utensile o apparecchio non sia superiore alla potenza nominale massima del generatore.

La potenza massima è:

7,0 kVA

Per il funzionamento continuo, non superare la potenza nominale.

La potenza nominale è:

5,5 kVA

In ogni caso, vanno tenuti presente i requisiti di potenza totale (VA) di tutti gli apparecchi collegati. I fabbricanti di apparecchi e utensili elettrici generalmente indicano le informazioni relative alla potenza nominale vicino al numero di modello o numero di serie.

AVVISO

In caso di sovraccarico sostanziale si aprirà il protettore del circuito. Un leggero sovraccarico del generatore potrebbe non essere sufficiente a far APRIRE il protettore del circuito ma ridurrà la durata utile del generatore.

FUNZIONAMENTO

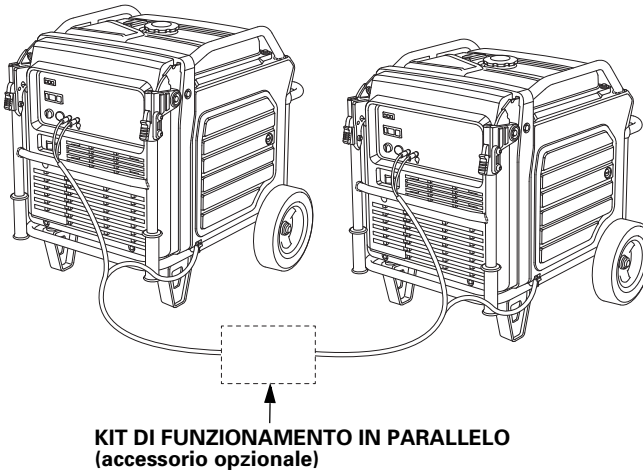
FUNZIONAMENTO IN PARALLELO A C.A.

Prima di collegare un apparecchio a uno dei generatori, verificare che tale apparecchio sia in buone condizioni e che la sua potenza elettrica nominale non sia superiore a quella della presa.

La maggior parte degli apparecchi motorizzati richiede un wattaggio superiore a quello nominale per l'avviamento. Quando viene avviato un motorino elettrico, la spia (rossa) ALLARME DI SOVRACCARICO potrebbe ACCENDERSI. Ciò è normale purché la spia (rossa) ALLARME DI SOVRACCARICO si SPENGA dopo circa 5 secondi. Se la spia (rossa) ALLARME DI SOVRACCARICO rimane ACCESA, consultare il concessionario.

Durante il funzionamento in parallelo, l'interruttore eco-acceleratore dovrebbe trovarsi nella stessa posizione su entrambi i generatori.

1. Collegare il cavo di funzionamento in parallelo tra i due generatori EU70i seguendo le istruzioni allegate al kit di funzionamento in parallelo.



2. Avviare il motore di ciascun generatore verificare che la spia (verde) di USCITA si ACCENDA.
3. Collegare l'apparecchio seguendo le istruzioni allegate al kit di funzionamento in parallelo.
4. Accendere l'apparecchio.

Se i generatori sono sovraccarichi (vedere pagina 45), oppure se si verifica un corto circuito in un apparecchio collegato, le spie (rosse) di ALLARME DI SOVRACCARICO si ACCENDONO. Le spie (rosse) di ALLARME DI SOVRACCARICO rimangono ACCESE e, dopo circa cinque secondi l'erogazione di corrente all'apparecchio/i connesso/i viene interrotta e le spia (verdi) di USCITA si SPENGONO. Spegnere entrambi i motori e investigare il problema.

Determinare se la causa è un corto circuito in un apparecchio collegato o un sovraccarico . Eliminare il problema e riavviare i generatori.

FUNZIONAMENTO

Applicazioni di funzionamento in parallelo a C.A.

Due generatori EU70i possono essere collegati assieme usando un kit di funzionamento in parallelo (apparecchiatura opzionale) per incrementare la potenza disponibile.

Seguire le istruzioni allegate al kit di funzionamento in parallelo. Prima di collegare un cavo di alimentazione o un apparecchio al generatore:

- Verificare che l'apparecchio funzioni correttamente. Cavi di alimentazione o apparecchi difettosi possono creare un potenziale rischio di elettrocuzione.
- Se un apparecchio inizia a funzionare in maniera anomala, lenta o si ferma improvvisamente, spegnerlo immediatamente. Scollegare l'apparecchio e stabilire se il problema è costituito dall'apparecchio o dal superamento della capacità di carico nominale del generatore.
- Mai collegare modelli diversi di generatore.
- Per il funzionamento in parallelo, usare esclusivamente un kit di funzionamento in parallelo autorizzato Honda (apparecchiatura opzionale) quando si collega un generatore EU70is a un altro generatore EU70is.
- Non collegare o rimuovere mai il cavo di funzionamento in parallelo mentre il generatore è in funzione.
- Per azionare un singolo generatore è necessario scollegare il cavo di funzionamento in parallelo da entrambi i generatori.

La maggior parte dei motorini di apparecchi richiede un wattaggio superiore a quello nominale per l'avviamento.

Verificare che la potenza elettrica nominale dell'utensile o apparecchio non sia superiore alla potenza nominale massima del generatore.

La potenza massima per il funzionamento in parallelo è:

14,0 kVA (In conformità con le istruzioni del limite di potenza del kit di collegamento in parallelo.)

Per il funzionamento continuo, non superare la potenza nominale.

La potenza nominale per il funzionamento in parallelo è:

11,0 kVA (In conformità con le istruzioni del limite di potenza del kit di collegamento in parallelo.)

In ogni caso, vanno tenuti presente i requisiti di potenza totale (VA) di tutti gli apparecchi collegati. I fabbricanti di apparecchi e utensili elettrici generalmente indicano le informazioni relative alla potenza nominale vicino al numero di modello o numero di serie.

AVVISO

Un sostanziale sovraccarico che determina la continua accensione della spia rossa ALLARME DI SOVRACCARICO potrebbe danneggiare il generatore. Un sovraccarico marginale che determina la temporanea accensione della spia rossa ALLARME DI SOVRACCARICO potrebbe ridurre la durata utile del generatore.

FUNZIONAMENTO

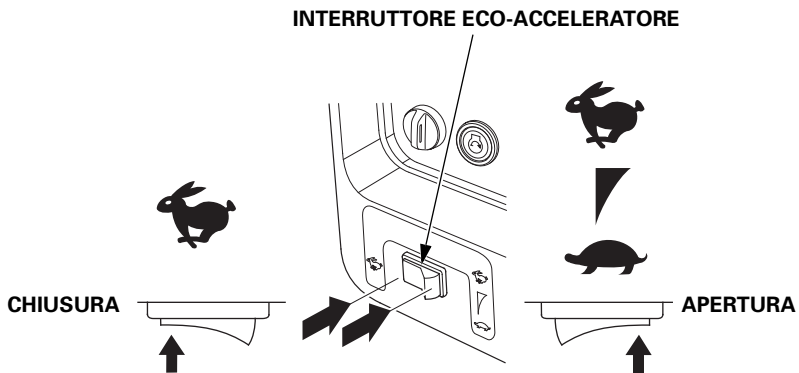
INTERRUTTORE ECO-ACCELERATORE

Con l'interruttore nella posizione ON, il regime del motore viene ridotto automaticamente quando i carichi vengono ridotti, disinseriti o scollegati. Quando gli apparecchi vengono accesi o ricollegati, il motore ritorna al corretto regime per alimentare il carico elettrico. Nella posizione OFF, il sistema eco-acceleratore non funziona.

Gli apparecchi che richiedono una notevole potenza di avviamento potrebbero impedire al motore di raggiungere il normale regime operativo quando sono collegati al generatore. Portare l'interruttore eco-acceleratore nella posizione OFF e collegare l'apparecchio al generatore. Se il motore comunque non raggiunge il normale regime operativo, controllare che l'apparecchio non superi la capacità di carico nominale del generatore.

Se carichi elettrici elevati vengono collegati simultaneamente, portare l'interruttore eco-acceleratore nella posizione OFF per ridurre le variazioni di tensione.

Il sistema eco-acceleratore non è efficace per l'uso con apparecchi o utensili che richiedono solo una potenza momentanea. Se l'utensile o apparecchio viene ACCESO e SPENTO rapidamente, l'interruttore eco-acceleratore dovrebbe trovarsi nella posizione OFF.



ALIMENTAZIONE ELETTRICA DI EMERGENZA

Collegamento all'impianto elettrico di un edificio

I collegamenti all'impianto elettrico di un edificio per l'alimentazione elettrica di emergenza devono essere realizzati da un elettricista qualificato. Il collegamento deve isolare la potenza del generatore dalla potenza della rete e deve essere conforme con tutte le leggi e i regolamenti elettrici vigenti.

ATTENZIONE

Collegamenti erranei all'impianto elettrico di un edificio potrebbero consentire il ritorno anomalo della corrente elettrica dal generatore nelle linee della rete elettrica.

Tale ritorno anomalo potrebbe causare l'elettrocuzione di operatori dell'azienda elettrica o altro personale che venga a contatto con le linee durante un'interruzione dell'erogazione di energia elettrica e quando tale erogazione viene ripristinata il generatore potrebbe esplodere, incendiarsi o causare incendi.

Interpellare l'azienda elettrica o un elettricista qualificato prima di stabilire qualsiasi connessione elettrica.

In alcune aree, la legge prevede che i generatori vengano registrati presso le aziende elettriche locali. Controllare le norme vigenti in merito alle corrette procedure di registrazione e utilizzo.

Messa a terra del sistema

Questo generatore dispone di una messa a terra del sistema che collega i componenti dell telaio del generatore ai terminali di messa a terra nelle prese di uscita a C.A. La messa a terra del sistema non è collegata al filo neutro di C.A.

FUNZIONAMENTO

Requisiti speciali

Potrebbero esistere leggi, regolamenti od ordinanze locali che si applicano all'uso previsto del generatore. Consultare un elettricista qualificato, ispettore elettrico o l'ente competente locale.

- In alcune aree, i generatori devono essere registrati presso le aziende elettriche locali.
- Se il generatore viene utilizzato in un cantiere, potrebbe essere necessario ottemperare a ulteriori norme.

MANUTENZIONE DEL GENERATORE

IMPORTANZA DELLA MANUTENZIONE

Un'adeguata manutenzione è essenziale per il funzionamento sicuro, economico e senza problemi. Inoltre, consente di ridurre l'inquinamento atmosferico.

Per aiutarvi a prendervi cura del generatore in modo efficiente, le seguenti pagine comprendono un programma di manutenzione, le procedure di controllo di routine e le semplici procedure di manutenzione effettuabili con gli utensili manuali essenziali. Le altre attività di manutenzione più complesse, o che richiedono utensili speciali, vengono eseguite al meglio dai professionisti e sono solitamente effettuate da tecnici Honda o meccanici qualificati.

Il programma di manutenzione è applicabile alle normali condizioni di funzionamento. Se il generatore viene azionato in condizioni insolite, quali carichi elevati prolungati o alte temperature, o viene utilizzato in condizioni polverose, rivolgersi al concessionario per i consigli applicabili ad ogni singola necessità e impiego.

ATTENZIONE

Se la manutenzione viene fatta in modo improprio o se non si risolve un problema prima di azionare il motore, si rischia un malfunzionamento che potrebbe causare lesioni gravi o mortali.

Seguire sempre i consigli riguardanti il controllo e la manutenzione riportati nel manuale d'uso.

Ricordarsi che i concessionari autorizzati Honda conoscono al meglio il vostro generatore e sono perfettamente equipaggiati per effettuare interventi di manutenzione e riparazione.

Per garantire la migliore qualità e affidabilità, in occasione di riparazioni e sostituzioni utilizzare soltanto componenti originali Honda nuovi o loro equivalenti.

MANUTENZIONE DEL GENERATORE

SICUREZZA DURANTE LA MANUTENZIONE

Di seguito sono elencate alcune delle principali precauzioni di sicurezza. Tuttavia, ricordarsi che è impossibile avvisare di tutti i pericoli possibili che possono insorgere durante le attività di manutenzione. Solo l'addetto all'intervento può decidere se è necessario eseguire una determinata procedura.

ATTENZIONE

La mancata osservanza delle istruzioni e delle precauzioni di manutenzione può causare lesioni personali gravi o la morte.

Seguire sempre le procedure e le precauzioni indicate nel manuale d'uso.

Precauzioni di sicurezza

Controllare che il motore sia spento prima di iniziare qualsiasi tipo di intervento di manutenzione o di riparazione. Ciò contribuirà ad eliminare numerosi potenziali rischi:

–**Emissioni velenose di monossido di carbonio dal tubo di scarico del motore.**

Operare in ambiente aperto, lontano da porte e finestre aperte.

–**Ustioni in seguito al contatto con componenti molto caldi.**

Lasciar raffreddare il motore e il sistema di scarico prima di intervenire su di essi.

–**Lesioni causate da parti in movimento.**

Azionare il motore solo se espressamente indicato.

- Leggere tutte le istruzioni prima di iniziare ed accertarsi di avere gli attrezzi e i requisiti richiesti.
- Per ridurre la possibilità di incendio o esplosione, prestare particolare attenzione quando si lavora in prossimità della benzina. Per pulire i componenti, utilizzare soltanto solventi incombustibili, mai benzina. Tenere lontano sigarette, scintille e fiamme da tutti i componenti correlati al carburante.

MANUTENZIONE DEL GENERATORE

PROGRAMMA DI MANUTENZIONE

INTERVALLO DI MANUTENZIONE PERIODICA (3) VOCE Effettuare ad ogni intervallo di mesi o ore di funzionamento indicati, a seconda di quello che si verifica prima.		Ad ogni uso	Primo mese o 20 ore	Ogni 3 mesi o 50 ore.	Ogni 6 mesi o 100 ore.	Ogni anno o 300 ore	Pagina
Olio motore	Controllare il livello	o					54
	Sostituire		o		o		55
Filtro aria	Controllare	o					57
	Pulire			o (1)			58
	Sostituire					o (*)	57
Candela	Controllare-regolare				o		59
	Sostituire					o	59
Parascintille	Pulire				o		61
Gioco valvole	Controllare-regolare					o (2)	—
Camera di combustione	Pulire	Ogni 1.000 ore (2)					—
Serbatoio carburante	Pulire	Ogni 2 anni o 1.000 ore (2)					—
Filtro carburante	Sostituire	Ogni 2 anni o 1.000 ore (2) (4)					—
Tubo del carburante	Controllare	Ogni 2 anni (sostituire se necessario) (2) (4)					—

NOTA:

(*) Sostituire solo il tipo a elemento in carta.

(1) Intervenire più spesso se utilizzato in zone polverose.

(2) Gli interventi su questi elementi devono essere effettuati dal proprio concessionario, a meno che si disponga degli utensili e delle capacità meccaniche adeguate. Fare riferimento al manuale d'officina Honda per le procedure di manutenzione.

(3) Per usi commerciali, registrare le ore di funzionamento per determinare gli intervalli di manutenzione appropriati.

(4) In caso di incrinature o rotture del gommino del filtro del carburante e del gommino del regolatore sostituirli con ricambi nuovi.

Questo generatore è equipaggiato con un convertitore catalitico. Se il motore non è sottoposto ad adeguata manutenzione, il catalizzatore nella marmitta potrebbe perdere efficacia.

MANUTENZIONE DEL GENERATORE

RIFORNIMENTO

A motore spento, controllare l'indicatore di livello del combustibile. Rifornire il serbatoio del combustibile se il livello è insufficiente.

ATTENZIONE

La benzina è altamente infiammabile ed esplosiva.

Quando si maneggia il carburante esiste un rischio di ustioni o lesioni gravi.

- Spegnere il motore e tenere lontano fonti di calore, scintille e fiamme.
- Maneggiare il carburante solo all'aperto.
- Pulire immediatamente eventuali perdite.

AVVISO

Il carburante può danneggiare la vernice e la plastica. Attenzione a non versare il carburante quando si riempie il serbatoio. I danni causati dallo spargimento di carburante non vengono coperti dalla garanzia.

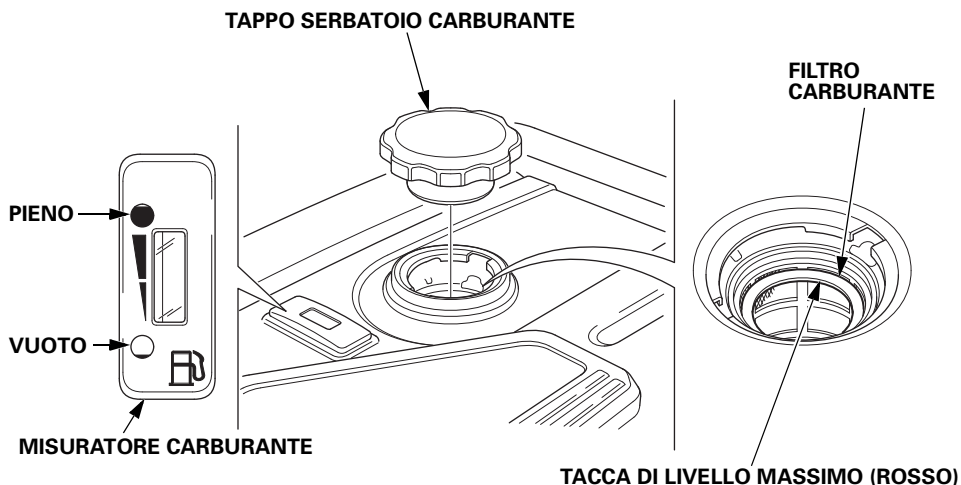
Effettuare il rifornimento in un'area ben ventilata prima di avviare il motore. Se il motore era in funzione, lasciarlo raffreddare. Riempire il serbatoio con cautela per evitare di spargere il carburante.

Non riempire il serbatoio del carburante oltre la tacca di livello massimo (rosso) sul filtro del carburante.

Non rifornire mai il motore all'interno di un edificio, dove i vapori di benzina potrebbero venire a contatto con fiamme o scintille. Mantenere la benzina a distanza di sicurezza da fiamme pilota di apparecchi, barbecue, apparecchi elettrici, utensili elettrici, ecc.

Gli spargimenti di carburante non costituiscono solo un pericolo di incendio ma sono anche causa di danni ambientali. Pulire immediatamente eventuali perdite.

MANUTENZIONE DEL GENERATORE



Dopo il rifornimento, rimontare saldamente il tappo del serbatoio carburante.

RACCOMANDAZIONI PER IL CARBURANTE

Questo motore è omologato per funzionare con normale benzina senza piombo avente un numero di ottano research non inferiore a 89.

Usare esclusivamente benzina senza piombo, altrimenti si rischia di compromettere l'efficacia del catalizzatore e influire negativamente sulle emissioni di scarico.

Non utilizzare mai benzina vecchia o contaminata o una miscela di olio e benzina. Evitare di gettare sporcizia o acqua nel serbatoio del carburante.

Si può usare benzina senza piombo normale contenente non più del 10% di etanolo (E10) o del 5% di metanolo per volume. Inoltre, il metanolo deve contenere cosolventi e inibitori di corrosione.

L'uso di carburanti con un contenuto di etanolo o metanolo superiore a quanto sopraindicato può causare problemi di accensione e/o di prestazioni. Può anche danneggiare le parti in metallo, gomma e plastica dell'impianto di alimentazione.

Eventuali danni al motore o problemi di prestazioni derivanti dall'uso di carburanti contenenti percentuali di etanolo o metanolo superiori a quanto sopraindicato e di benzina con piombo non sono coperti dalla garanzia.

Se l'apparecchiatura verrà utilizzata con poca frequenza o saltuariamente, consultare la sezione sul carburante del capitolo *RIMESSAGGIO* (vedere pagina 67) per ulteriori informazioni sul deterioramento del carburante.

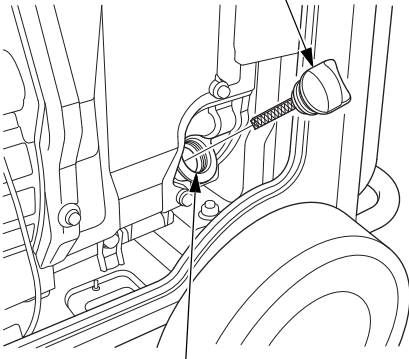
MANUTENZIONE DEL GENERATORE

CONTROLLO LIVELLO OLIO MOTORE

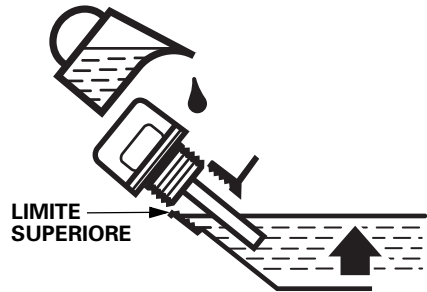
Controllare il livello dell'olio motore con il generatore su una superficie pianeggiante e a motore spento.

1. Aprire il coperchio di manutenzione destro ruotando la relativa chiusura in senso antiorario.
2. Rimuovere il tappo di riempimento olio.
3. Controllare il livello dell'olio. Se si trova al di sotto del limite superiore, rabboccare con olio di tipo consigliato (vedere pagina 56) fino al limite superiore del bocchettone di riempimento olio.
4. Reinstallare saldamente il tappo di riempimento olio.
5. Chiudere il coperchio di manutenzione destro ruotando la relativa chiusura in senso orario.

TAPPO DI RIEMPIMENTO OLIO



BOCCHETTONE DI RIEMPIMENTO OLIO



Il sistema Oil Alert fermerà automaticamente il motore prima che l'olio scenda sotto i limiti di sicurezza. Tuttavia, per evitare l'inconveniente di uno spegnimento improvviso, controllare periodicamente il livello dell'olio.

MANUTENZIONE DEL GENERATORE

CAMBIO DELL'OLIO MOTORE

Per un drenaggio rapido e completo, drenare l'olio con il motore caldo.

1. Aprire il coperchio di manutenzione destro ruotando la relativa chiusura in senso antiorario.
2. Infilare una mano sotto il generatore e rimuovere la guarnizione di gomma nera ubicata sotto il tappo di scarico olio.
3. Collocare un recipiente adatto sotto il generatore per raccogliere l'olio esausto.
4. Rimuovere il tappo di riempimento olio.
5. Rimuovere il tappo di scarico olio e la rondella di tenuta e lasciar drenare l'olio completamente.
6. Reinstallare il tappo dell'olio di scarico e una nuova rondella di tenuta. Serrare saldamente il tappo.
7. Infilare una mano sotto il generatore e reinstallare la tenuta di gomma nera.

AVVISO

Lo smaltimento dell'olio motor esausto in maniera impropria può essere nocivo per l'ambiente.

Se si effettua il cambio d'olio da soli, smaltire l'olio esausto correttamente.

Raccoglierlo in un contenitore sigillato e portarlo a un centro di riciclaggio.

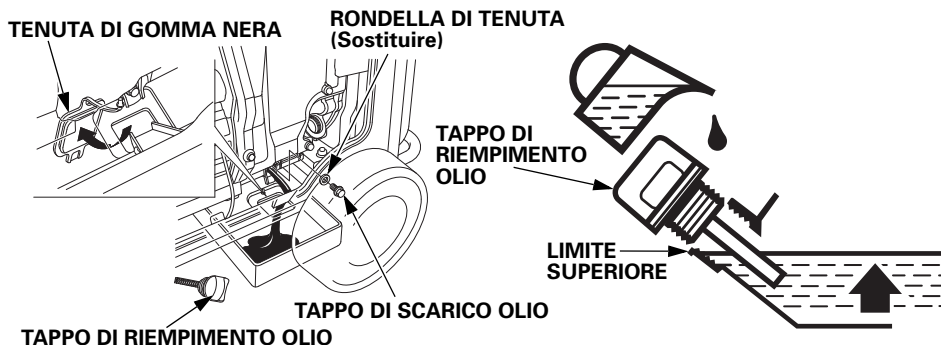
Non gettarlo nella spazzatura, versarlo sul terreno o nello scarico.

8. Con il generatore in posizione livellata, riempire con l'olio consigliato (vedere pagina 56) fino alla tacca del limite superiore del bocchettone di riempimento olio.

Capacità massima olio: 1,1 litri

9. Reinstallare saldamente il tappo di riempimento olio.
10. Chiudere il coperchio di manutenzione destro ruotando la relativa chiusura in senso orario.

Dopo aver maneggiato l'olio esausto, lavare le mani con acqua e sapone.



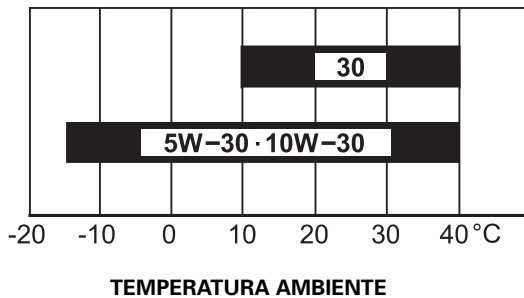
MANUTENZIONE DEL GENERATORE

RACCOMANDAZIONI PER L'OLIO MOTORE

L'olio è uno dei fattori principali che influiscono sulle prestazioni e sulla vita utile del motore.

Usare olio per motori a 4 tempi che sia almeno conforme ai requisiti per la categoria API SE o successive (o equivalenti). Controllare sempre l'etichetta di SERVIZIO API sul contenitore dell'olio per accertarsi che siano riportate le lettere SE o una classificazione successiva (o equivalente).

SAE 10W-30 è consigliato per l'uso generico. È possibile utilizzare le altre viscosità indicate nella tabella quando la temperatura media della propria zona è compresa nell'intervallo consigliato.

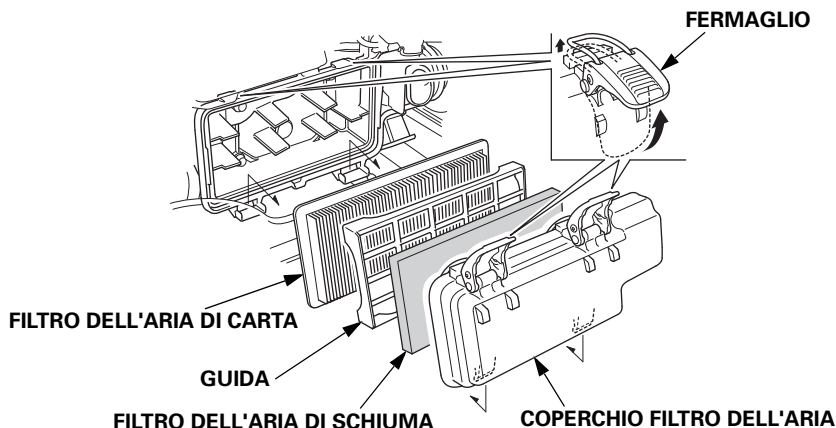


Leggere le istruzioni sul contenitore dell'olio prima di usarlo.

MANUTENZIONE DEL GENERATORE

MANUTENZIONE DEL FILTRO ARIA

1. Aprire il coperchio di manutenzione sinistro ruotando la relativa chiusura in senso antiorario.
2. Sganciare i fermagli del coperchio del filtro dell'aria; rimuovere il coperchio del filtro dell'aria.



3. Filtro dell'aria di spugna:

- a. Rimuovere il filtro dell'aria di spugna dal coperchio del filtro dell'aria.
- b. Controllare il filtro dell'aria di spugna per verificare che sia pulito e in buone condizioni.
Se il filtro dell'aria di spugna è sporco, pulirlo come descritto a pagina 58.
Sostituire il filtro dell'aria di spugna se è danneggiato.
- c. Reinstallare il filtro dell'aria di spugna nel coperchio del filtro dell'aria.

4. Filtro dell'aria di carta:

- a. Rimuovere la guida.
- b. Se il filtro dell'aria di carta è sporco, sostituirlo con uno nuovo.
Non pulire il filtro dell'aria di carta.

5. Reinstallare la guida e il coperchio del filtro dell'aria.

6. Chiudere il coperchio di manutenzione sinistro.

AVVISO

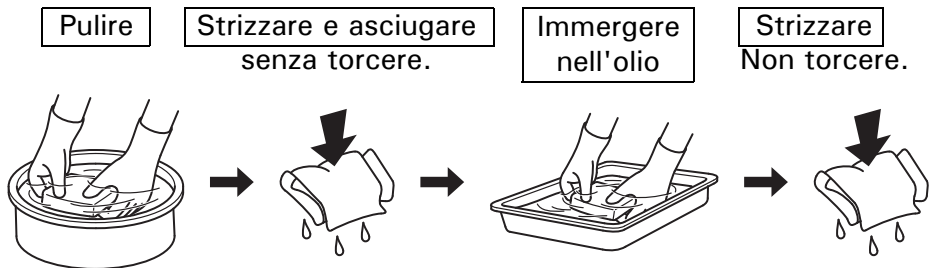
L'azionamento del motore sprovvisto di filtri dell'aria o con uno dei filtri dell'aria danneggiato consentirà alle impurità di entrare nel motore, provocandone una rapida usura.

MANUTENZIONE DEL GENERATORE

PULIZIA DEL FILTRO DELL'ARIA DI SCHIUMA

Un filtro dell'aria di spugna sporco limiterà il flusso dell'aria verso l'impianto di alimentazione, riducendo le prestazioni del motore. Se si aziona il generatore in zone molto polverose, pulire il filtro dell'aria di spugna più spesso di quanto specificato nel programma di manutenzione.

1. Pulire il filtro dell'aria di spugna in acqua saponata calda, risciacquarlo e lasciarlo asciugare accuratamente, oppure pulire in un solvente non infiammabile e lasciarlo asciugare.
2. Immergere il filtro dell'aria di spugna in olio motore pulito, quindi strizzarlo per espellere l'olio in eccesso. Se la spugna è particolarmente impregnata di olio, fuoriuscirà parecchio fumo dal motore al primo avviamento.



3. Pulire la sporcizia dall'interno del coperchio del filtro dell'aria usando un panno umido. Non fare entrare la sporcizia nel condotto dell'aria che porta all'impianto di alimentazione.

MANUTENZIONE DEL GENERATORE

MANUTENZIONE DELLA CANDELA

Candele raccomandate: BPR6ES (NGK)

Per assicurare il funzionamento corretto del motore, la distanza tra gli elettrodi deve essere corretta ed esente da depositi.

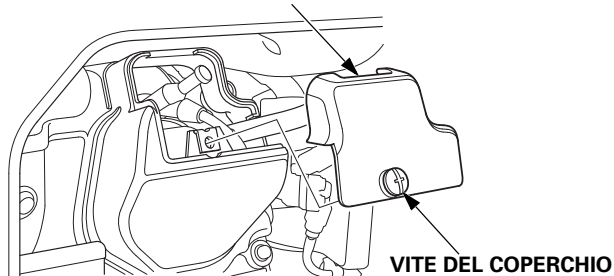
AVVISO

Una candela non corretta può causare danni al motore.

Se il motore è caldo, lasciarlo raffreddare prima di eseguire la manutenzione della candela.

1. Aprire il coperchio di manutenzione sinistro ruotando la relativa chiusura in senso antiorario.
2. Allentare la vite del coperchio e togliere il coperchio di ispezione della candela.

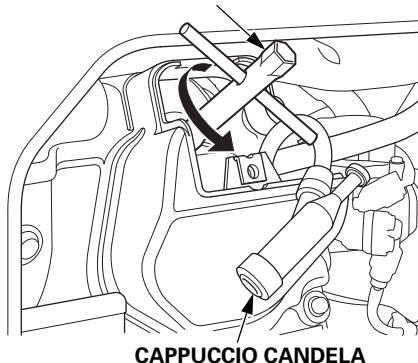
COPERCHIO DI ISPEZIONE DELLA CANDELA



3. Scollegare il cappuccio della candela e rimuovere la sporcizia attorno all'area della candela.

4. Rimuovere la candela con l'apposita chiave.

CHIAVE PER CANDELE



CAPPUCCIO CANDELA

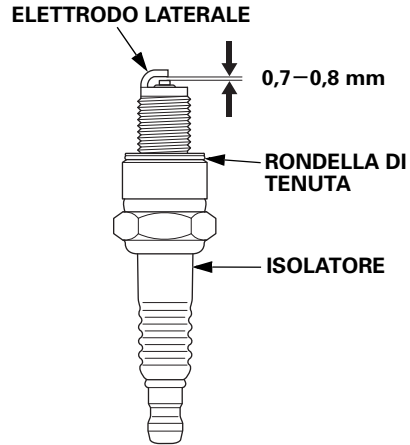
MANUTENZIONE DEL GENERATORE

5. Controllare la candela.

Sostituirla se gli elettrodi sono usurati i sporchi, oppure se l'isolatore è incrinato o scheggiato.

6. Misurare la distanza tra gli elettrodi della candela con uno spessore a filo. Correggere la distanza secondo necessità, piegando con attenzione l'elettrodo laterale.

La distanza deve essere:
0,7–0,8 mm



7. Verificare che la rondella di tenuta della candela sia in buone condizioni, e avvitare la candela a mano in modo di evitare da danneggiarne la filettatura.

8. Una volta alloggiata la candela, serrare con la chiave per candele per comprimere la rondella.

Se si reinstalla una candela usata, serrarla di un ulteriore 1/8–1/4 di giro dopo averla alloggiata.

Se si installa una candela nuova, serrarla di un ulteriore 1/2 dopo averla alloggiata.

AVVISO

*Una candela allentata può surriscaldare e danneggiare il motore.
Un serraggio eccessivo della candela può danneggiare la filettatura nella testata.*

9. Applicare il cappuccio alla candela.

10. Reinstallare il coperchio di ispezione della candela e serrare la vite del coperchio.

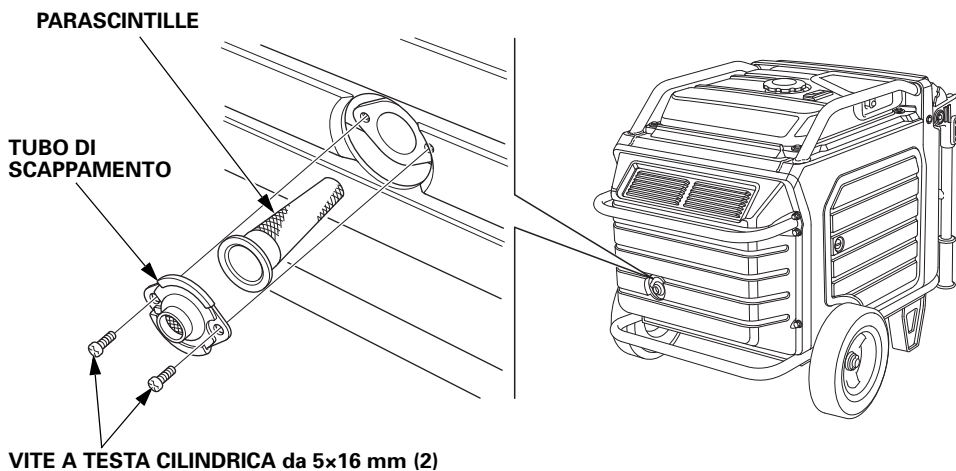
11. Chiudere il coperchio di manutenzione sinistro.

MANUTENZIONE DEL GENERATORE

MANUTENZIONE DEL PARASCINTILLE

Se il motore è stato acceso, la marmitta è molto calda. Lasciarla raffreddare prima di intervenire sul parascintille.

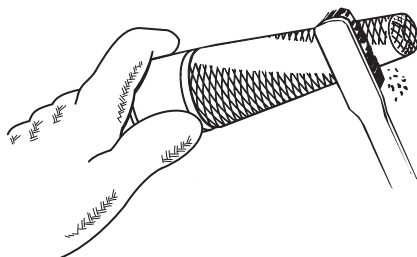
1. Rimuovere le due viti a testa cilindrica di 5×16 mm e rimuovere il tubo di scappamento e il parascintille.



2. Con una spazzola, asportare le incrostazioni di carbonio dallo schermo del parascintille.

Fare attenzione a non danneggiare lo schermo.

Il parascintille deve essere privo di rotture e lacerazioni. Sostituire il parascintille se è danneggiato.



3. Installare il parascintille nell'ordine inverso rispetto a quello di rimozione.

MANUTENZIONE DEL GENERATORE

MANUTENZIONE DELLA BATTERIA

L'impianto di caricamento del motore del generatore carica la batteria quando il motore è in funzione. Tuttavia, se il generatore viene usato solo periodicamente, la batteria deve essere caricata ogni mese per preservarne la vita utile.

ATTENZIONE

La batteria contiene acido solforico (elettrolito), che è estremamente corrosivo e tossico. Se viene a contatto con gli occhi o la cute, l'elettrolito può causare gravi ustioni.

Indossare indumenti e occhiali protettivi quando si lavora in prossimità della batteria.

TENERE I BAMBINI A DISTANZA DI SICUREZZA DALLA BATTERIA.

Procedure di emergenza

Occhi – Lavare con acqua da una tazza o altro contenitore per almeno quindici minuti. (L'acqua in pressione potrebbe danneggiare l'occhio.) Chiamare immediatamente un medico.

Cute – Rimuovere gli indumenti contaminati. Lavare la cute con acqua abbondante. Chiamare immediatamente un medico.

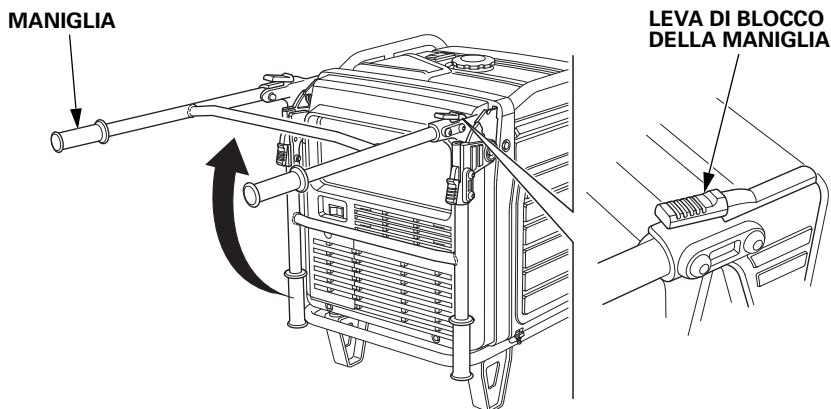
Ingestione – Bere acqua o latte. Chiamare immediatamente un medico.

MANUTENZIONE DEL GENERATORE

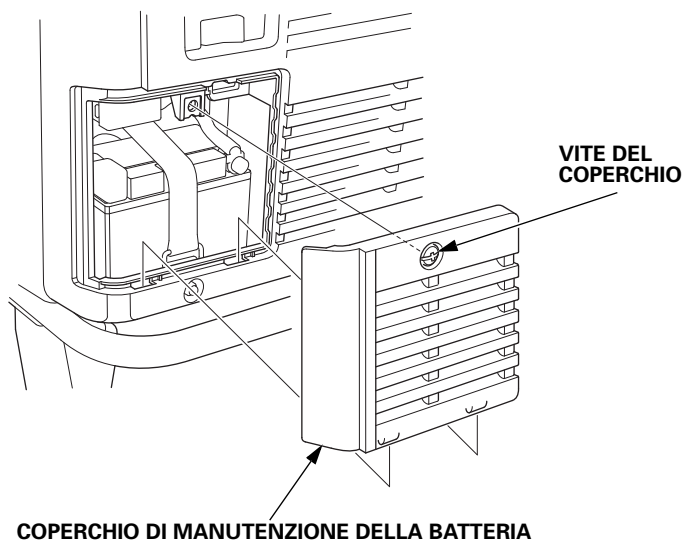
Rimozione della batteria

I morsetti, i terminali della batteria e i relativi accessori contengono piombo e composti al piombo. Lavare le mani dopo averli maneggiati.

1. Sollevare la maniglia verso l'alto. Le leve di blocco si bloccano e fissano la maniglia in posizione.

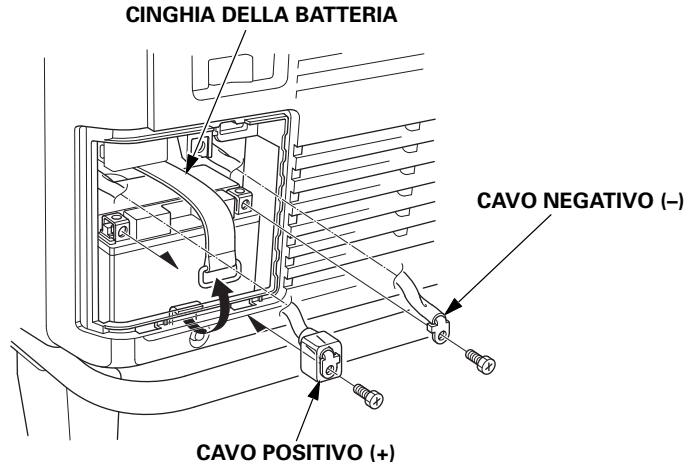


2. Allentare la vite del coperchio e rimuovere il coperchio di manutenzione della batteria.



MANUTENZIONE DEL GENERATORE

3. Rimuovere il cavo negativo (-) dal terminale negativo (-) della batteria, e quindi rimuovere il cavo positivo (+) dal terminale positivo (+) della batteria.
4. Sganciare la cinghia della batteria dal gancio inferiore del generatore.



5. Rimuovere la batteria.



Questo simbolo sulla batteria indica che questo prodotto non deve essere trattato come un rifiuto domestico.

Una batteria smaltita in maniera impropria può essere nociva per l'ambiente e la salute umana.

Verificare sempre quali siano le norme vigenti a livello locale per lo smaltimento delle batterie.

Caricamento della batteria

ATTENZIONE

La batteria emette gas di idrogeno esplosivo nel corso del normale funzionamento.

Una fiamma o scintilla può provocare l'esplosione della batteria con una forza sufficiente a causare lesioni gravi o perfino letali.

Indossare indumenti e una maschera viso protettivi, oppure far eseguire la manutenzione della batteria da un meccanico esperto.

La batteria ha una potenza nominale di 11,2 Ah (ampere-ore). La corrente di caricamento dovrebbe essere pari al 10% della potenza nominale della batteria espressa in ampere-ore. Deve essere adoperato un caricabatterie che possa essere regolato in modo da erogare 1,1 ampere.

1. Collegare il caricabatterie attenendosi alle istruzioni del fabbricante.
2. Caricare la batteria per 5-10 ore.
3. Pulire l'esterno della batteria e il vano della batteria con una soluzione di bicarbonato di sodio e acqua.

Installazione della batteria

1. Installare la batteria nel generatore.
2. Collegare prima il cavo positivo (+) della batteria al terminale positivo (+) della batteria e serrare saldamente il bullone.
3. Far scorrere il coprिमorsetto della batteria sopra il cavo positivo (+) e il terminale.
4. Collegare il cavo negativo (-) della batteria al terminale negativo (-) della batteria e serrare saldamente il bullone.
5. Installare la cinghia della batteria.
6. Installare il coperchio di manutenzione della batteria invertendo la procedura di rimozione (vedere pagina 63).

Non azionare mai il generatore con il coperchio di manutenzione della batteria aperto, in quanto ciò comprometterà le prestazioni del motore e del generatore.

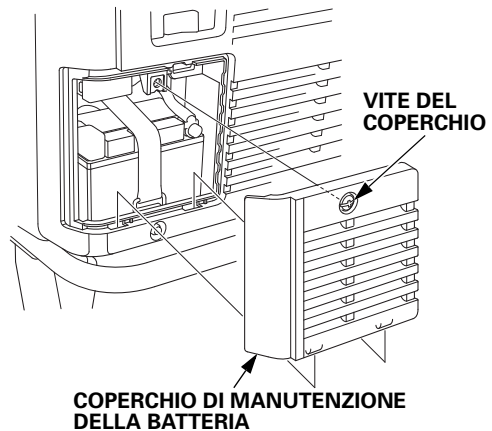
MANUTENZIONE DEL GENERATORE

FUSIBILE

Se il fusibile è bruciato, il motorino di avviamento non funzionerà.

In caso di bruciatura del fusibile, individuare la causa del guasto e ripararla, prima di riprendere il funzionamento. Se il fusibile continua a bruciarsi, interrompere l'uso del generatore e interpellare il concessionario.

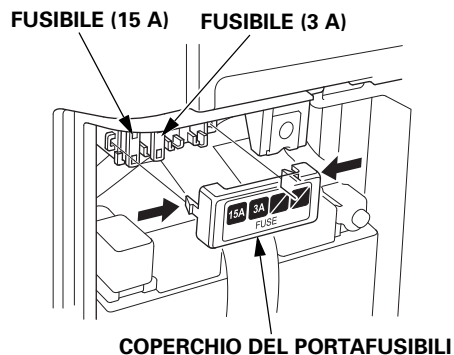
1. Portare l'interruttore PRINCIPALE nella posizione OFF e togliere la chiave prima di controllare o sostituire il fusibile.
2. Allentare la vite del coperchio e rimuovere il coperchio di manutenzione della batteria.



3. Rimuovere il coperchio del portafusibili ed estrarre il fusibile.
4. Sostituire il fusibile con un fusibile dello stesso tipo e amperaggio.
Fusibile specificato: 3 A, 15 A

AVVISO

Non utilizzare mai un fusibile con amperaggio diverso da quello prescritto. Potrebbe causare seri danni all'impianto elettrico o un incendio.



5. Installare il coperchio del portafusibili e il coperchio di manutenzione della batteria invertendo la procedura di rimozione (vedere pagina 63). Non azionare mai il generatore con il coperchio di manutenzione della batteria aperto, in quanto ciò comprometterà le prestazioni del motore e del generatore.

RIMESSAGGIO

PREPARAZIONE PER IL RIMESSAGGIO

Una corretta preparazione al rimessaggio è fondamentale per evitare che il generatore subisca danni, sia interni sia esterni. I seguenti passaggi contribuiranno ad evitare che la ruggine e la corrosione rovinino la funzionalità e l'aspetto del generatore e semplificheranno l'accensione del generatore quando verrà nuovamente usato.

Pulizia

Pulire il generatore con un panno umido. Dopo che il generatore si è asciugato, ritoccare la vernice danneggiata e applicare un leggero strato di olio sulle altre parti che potrebbero essere soggette a ruggine.

Carburante

AVVISO

In base alla regione di utilizzo dell'apparecchiatura, le composizioni di carburante possono deteriorarsi e ossidarsi rapidamente. Il deterioramento e l'ossidazione del carburante possono avvenire in soli 30 giorni e potrebbero danneggiare l'impianto di alimentazione. Rivolgersi al concessionario per i consigli riguardanti il rimessaggio locale.

Durante il periodo di rimessaggio, la benzina si ossiderà e si deteriorerà. La benzina vecchia determina difficoltà di avviamento e lascia depositi di gomma che intasano il circuito del carburante. Se la benzina contenuta nel generatore si deteriora durante il rimessaggio, potrebbe essere necessario revisionare o sostituire i componenti dell'impianto di alimentazione.

Il lasso di tempo durante il quale la benzina può essere lasciata all'interno del serbatoio del carburante senza causare problemi di funzionamento cambia in base a vari fattori, quali la miscela della benzina, la temperatura di rimessaggio, e a seconda del livello di carburante presente nel serbatoio. L'aria presente all'interno di un serbatoio parzialmente pieno favorisce il deterioramento del carburante. Una temperatura di conservazione molto elevata accelera il deterioramento del carburante. I problemi di deterioramento del carburante possono verificarsi entro pochi mesi o persino prima se la benzina non era nuova quando è stato riempito il serbatoio del carburante.

Drenaggio del serbatoio del carburante

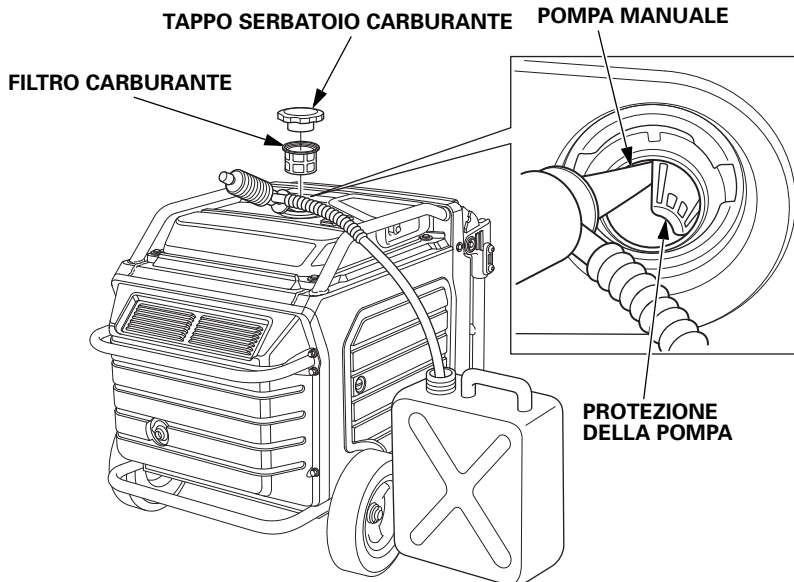
⚠ ATTENZIONE

La benzina è altamente infiammabile ed esplosiva.

Quando si maneggia il carburante esiste un rischio di ustioni o lesioni gravi.

- Spegnere il motore e tenere lontano fonti di calore, scintille e fiamme.
- Maneggiare il carburante solo all'aperto.
- Pulire immediatamente eventuali perdite.

Svitare il tappo del serbatoio del carburante, togliere il filtro del carburante e svuotare il serbatoio in un contenitore di benzina di tipo approvato. Consigliamo di utilizzare una pompa manuale per benzina, disponibile in commercio, per svuotare il serbatoio. Non utilizzare una pompa elettrica. Travasare la benzina inserendo la punta della pompa manuale nel lato della protezione della pompa. Reinstallare il filtro del carburante e il tappo del serbatoio del carburante.



Olio motore

1. Sostituire l'olio motore (vedere pag. 55).
2. Rimuovere la candela (vedere pagina 59).
3. Versare un cucchiaino (5 cm³) di olio motore pulito nel cilindro.
4. Tirare la fune di avviamento diverse volte per distribuire l'olio all'interno del cilindro.
5. Rimuovere la candela (vedere pagina 60).
6. Tirare lentamente la maniglia di avviamento finché non si avverte resistenza. A questo punto, il pistone sta risalendo nella sua corsa di compressione e le valvole di ammissione e di scarico sono entrambe chiuse. Mettere il motore in rimessaggio in questa posizione contribuirà a proteggerlo dalla corrosione interna. Rilasciare l'impugnatura del motorino di avviamento delicatamente.

Batteria

Caricare la batteria prima di mettere in rimessaggio il generatore (vedere pagina 65).

RIMESSAGGIO

PRECAUZIONI DI RIMESSAGGIO

Se il motore verrà rimessato lasciando la benzina dentro al serbatoio, è importante ridurre il pericolo di incendio dei vapori di benzina.

Scegliere un area di rimessaggio ben ventilata e lontana da apparecchi che funzionano a fiamma, quali caldaie, scaldabagni o asciugabiancheria. Evitare inoltre le aree in cui è presente un motorino elettrico che produce scintille o dove vengono utilizzati attrezzi elettrici.

Se possibile, evitare aree di rimessaggio molto umide, perché l'umidità favorisce la ruggine e la corrosione.

Posizionare il motore su una superficie in piano. L'inclinazione potrebbe causare perdite di carburante o di olio.

Con il motore e l'impianto di scarico freddi, coprire il generatore per proteggerlo dalla polvere. Un motore e un impianto di scarico caldi possono incendiare o sciogliere determinati materiali.

Non usare fogli di plastica come protezione antipolvere. Una protezione non porosa intrappolerà l'umidità attorno al generatore favorendo la ruggine e la corrosione.

Caricare completamente la batteria. Ricaricare la batteria una volta al mese (vedere pagina 65).

RIMOZIONE DAL RIMESSAGGIO

Controllare il generatore come descritto nel capitolo *PRIMA DELL'USO* di questo manuale (vedere pagina 29).

Se il generatore è stato in rimessaggio per 1 anno o più, drenare il serbatoio del carburante (vedere pagina 68) e rifornire con benzina fresca. Se si possiede un recipiente di benzina per il rifornimento, accertarsi che contenga soltanto benzina nuova. Col tempo la benzina si ossida e si deteriora rendendo difficile l'avviamento.

Se il cilindro è stato ricoperto d'olio durante la preparazione al rimessaggio, potrebbe fuoriuscire parecchio fumo dal motore al primo avviamento. Ciò è normale.

TRASPORTO

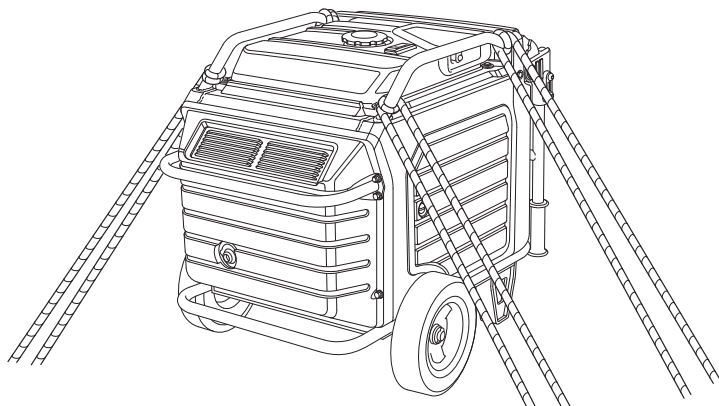
Se il generatore è stato in funzione, lasciar raffreddare il motore per almeno 15 minuti prima di caricare il generatore sul veicolo di trasporto. Con il motore e il sistema di scarico caldi è facile ustionarsi e alcuni materiali potrebbero prendere fuoco.

Tenere il generatore in piano durante il trasporto per ridurre la possibilità di perdite di carburante.

Se si adoperano delle funi o cinghie di ancoraggio per fissare il generatore per il trasporto, usare esclusivamente le barre del telaio come punti di attacco. Non fissare funi o cinghie a qualsiasi parte del corpo del generatore o alla maniglia pieghevole.

Durante il trasporto del generatore:

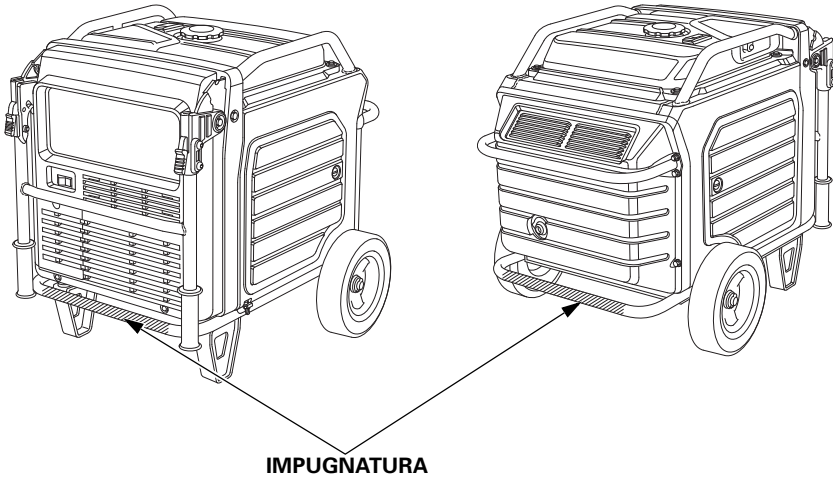
- Portare l'interruttore in posizione OFF.
- Non azionare il generatore mentre si trova su un veicolo. Togliere il generatore dal veicolo e azionarlo in un luogo ben ventilato.
- Evitare un luogo esposto alla luce solare diretta quando si colloca il generatore su un veicolo. Se il generatore viene lasciato per molte ore in un veicolo chiuso, la temperatura elevata all'interno del veicolo potrebbe far evaporare il carburante, con conseguente rischio di esplosione.
- Non guidare su una strada accidentata per lunghi periodi di tempo con il generatore a bordo. Se è necessario trasportare il generatore su una strada accidentata, drenare preventivamente il carburante dal generatore.



TRASPORTO

- Usare un paranco e fissarlo all'attaccaglia (parti opzionali) del generatore per sollevare quest'ultimo a scopo di trasporto.
- Quando si deve sollevare il generatore a mano con l'ausilio di assistenti, fare attenzione a non reggerlo per la manglia o la barra posteriore. Sollevare il generatore afferrandolo per l'impugnatura apposita (aree ombreggiate nella figura seguente).

In conformità con lo STANDARD EUROPEO EN 12601: 2010
Per il trasporto del generatore si ritiene che un gruppo di 140 kg deve essere munito dei mezzi per il trasporto da parte di 4 persone.



TRATTAMENTO DEI PROBLEMI IMPREVISTI

IL MOTORE NON SI AVVIA

Possibile causa	Correzione
L'interruttore PRINCIPALE è nella posizione OFF.	Portare l'interruttore PRINCIPALE nella posizione di INSERIMENTO (vedere la pagina 34).
Carburante esaurito.	Rifornire di carburante (vedere pagina 52).
Combustibile di cattiva qualità, generatore posto in rimessaggio senza drenare la benzina o rifornito con benzina di cattiva qualità.	Drenare il serbatoio del carburante (vedere pagina 68). Rifornire con benzina nuova (vedere pagina 52).
Oil Alert ha spento il motore perché il livello dell'olio motore è insufficiente.	Portare l'interruttore PRINCIPALE nella posizione di DISINSERIMENTO. Aggiungere olio motore. Quindi riportare l'interruttore principale nella posizione di INSERIMENTO e riavviare il motore.
Candela sporca di carburante (motore ingolfato).	<ul style="list-style-type: none">• Portare l'interruttore PRINCIPALE nella posizione di DISINSERIMENTO e tirare rapidamente cinque o più volte la maniglia del motorino di avviamento. Ciò potrebbe far asciugare la candela.• Se il motore comunque non si avvia, togliere la candela e asciugarla.
Candela difettosa, sporca o con distanza tra gli elettrodi eccessiva.	Correggere la distanza tra gli elettrodi o sostituire la candela (vedere pagina 59). Rimontare la candela.
Filtro del carburante parzialmente ostruito, guasto dell'impianto di alimentazione, guasto della pompa del carburante, guasto dell'accensione, valvole inceppate, ecc.	Portare il generatore presso il concessionario o consultare il manuale d'officina.

TRATTAMENTO DEI PROBLEMI IMPREVISTI

PERDITA DI POTENZA DEL MOTORE

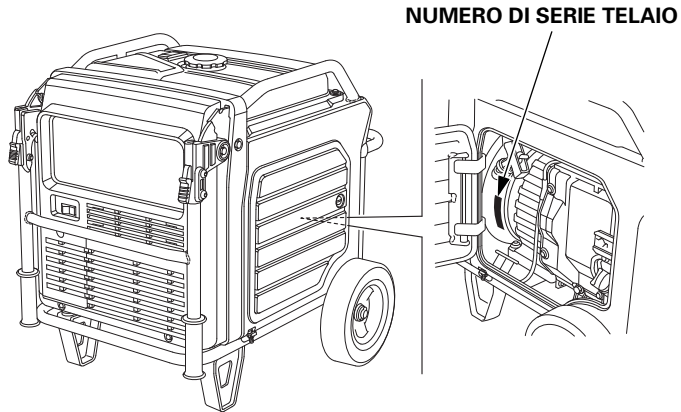
Possibile causa	Correzione
Filtro dell'aria parzialmente ostruito.	Pulire o sostituire il filtro dell'aria (vedere pagina 57).
Combustibile di cattiva qualità, generatore posto in rimessaggio senza drenare la benzina o rifornito con benzina di cattiva qualità.	Drenare il serbatoio del carburante (vedere pagina 68). Rifornire con benzina nuova (vedere pagina 52).
Filtro del carburante parzialmente ostruito, guasto dell'impianto di alimentazione, guasto della pompa del carburante, guasto dell'accensione, valvole inceppate, ecc.	Portare il generatore presso il concessionario o consultare il manuale d'officina.

ASSENZA DI ALIMENTAZIONE ELETTRICA A LIVELLO DELLE PRESE A C.A.

Possibile causa	Correzione
La spia USCITA è SPENTA e la spia ALLARME DI SOVRACCARICO è ACCESA.	Controllare il carico in C.A. Spegnere e riavviare il motore.
	Controllare l'ingresso dell'aria di raffreddamento. Spegnere e riavviare il motore.
Protettore/i di circuito a C.A. attivato.	Controllare il carico in C.A. e ripristinare il protettore/i di circuito a C.A. (vedere pagina 18).
Apparecchio o utensile elettrico guasto.	Sostituire o riparare l'apparecchio o utensile elettrico. Spegnere e riavviare il motore.
Generatore guasto.	Portare il generatore presso il concessionario o consultare il manuale d'officina.

INFORMAZIONI TECNICHE

Ubicazione del numero di serie



Registrare il numero di serie del telaio e la data di acquisto nello spazio sottostante. Tale informazione è necessaria quando si ordinano pezzi o si inoltrano richieste di informazioni tecniche o riguardanti la garanzia.

Numero di serie telaio: _____

Data di acquisto: _____

INFORMAZIONI TECNICHE

Specifiche

Dimensioni

Modello	EU70is
Codice descrittivo	EEJD
Lunghezza [Maniglia in posizione sollevata]	848 mm [1.198 mm]
Larghezza	700 mm
Altezza	721 mm
Massa a secco [Peso] *	118,1 kg

* Con batteria

Motore

Modello	GX390
Tipo di motore	4 tempi, valvola in testa, monocilindrico
Cilindrata [Alesaggio × corsa]	389 cm ³ [88 × 64 mm]
Rapporto di compressione	8,2:1
Regime del motore	2.400–3.600 giri/min. < con interruttore eco-acceleratore in posizione ON >
Sistema di raffreddamento	Aria a circolazione forzata
Sistema di accensione	Accensione completamente transistorizzata
Capacità olio motore	1,1 litri
Capacità serbatoio carburante	19,2 litri
Candela	BPR6ES (NGK)
Batteria	12 V 11,2 Ah/10 ORE

Generatore

Modello		EU70is
Tipo		G, GW, F, IT
Erogazione a C.A.	Tensione nominale	230 V
	Frequenza nominale	50 Hz
	Corrente nominale (amperaggio nominale)	23,9 A
	Uscita nominale	5,5 kVA
	Uscita massima	7,0 kVA

Rumorosità

Modello	EU70is
Tipo	G, GW, F, IT
Livello di pressione sonora alla postazione di lavoro (2006/42/EC)	76 dB (A) (con eco-acceleratore in posizione ON)
Incertezza	2 dB (A)
Livello di potenza sonora misurata (2000/14/EC, 2005/88/EC)	88 dB (A) (con eco-acceleratore in posizione ON)
Incertezza	2 dB (A)
Guaranteed sound power level (2000/14/EC, 2005/88/EC)	90 dB (A) (con eco-acceleratore in posizione ON)

"i valori indicati sono livelli di emissione e non sono necessariamente livelli operativi sicuri. Sebbene sussista una correlazione tra livelli di emissione e di esposizione, questa non può essere utilizzata affidabilmente per stabilire se siano necessarie o meno ulteriori precauzioni. I fattori che influiscono sul livello effettivo di esposizione del personale includono le caratteristiche dell'ambiente di lavoro, le altre fonti di rumore, ecc., ad es. il numero di macchine e altri processi adiacenti, e la durata dell'esposizione dell'operatore al rumore. Inoltre il livello di esposizione consentito può differire da paese a paese. Queste informazioni, tuttavia, consentiranno all'utente della macchina di valutare meglio il rischio e i pericoli."

I dati tecnici sono soggetti a variazioni a seconda del tipo di motore e a modifiche senza preavviso.

INFORMAZIONI TECNICHE

Schema elettrico

(Consultare la terza di copertina)

Abbreviazioni

Simbolo	Nome parte
ACCP	Protettore di circuito a C.A.
ACOR	Presa di uscita a C.A.
Bat	Batteria
CPB	Blocco del pannello di controllo
CSw	Interruttore combinato
EcoSw	Interruttore eco-acceleratore
EgB	Monoblocco
FrB	Blocco del telaio
FP	Pompa carburante
FuB	Scatola portafusibili
GeB	Blocco del generatore
GCU	Unità di controllo del generatore
GND	Messa a terra
GT	Terminale di messa a terra
IgC	Bobina di accensione
IgPG	Generatore di impulsi di accensione
In	Inietttore
IU	Unità inverter
IUB	Blocco unità inverter
LED	LED
MSw	Interruttore PRINCIPALE
MW	Avvolgimento principale
NF	Filtro antidisturbo
OLSw	Interruttore livello olio
O2Se	Sensore O2
PC	Personal Computer
POR	Presa per il funzionamento in parallelo
Rc	Comando a distanza
RCB	Blocco del comando a distanza
Rc (OP)	Comando a distanza (opzione)
SP	Candela
StM	Motorino di avviamento
StSw	Interruttore di avviamento
SW	Avvolgimento asservito
TCM	Motorino di controllo acceleratore
ThSe	Termosensore

Codice cromatico fili

Bl	Nero
Br	Marrone
G	Verde
Gr	Grigio
Bu	Blu
Lb	Azzurro
Lg	Verde chiaro
O	Arancione
P	Rosa
R	Rosso
W	Bianco
Y	Giallo
V	Viola
BE	Beige

INTERRUTTORE COMBINATO

	PRINC-IPALE1	PRINC-IPALE2	BAT	ACC
ON				
OFF				

INTERRUTTORE DI AVVIAMENTO

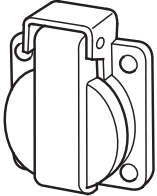
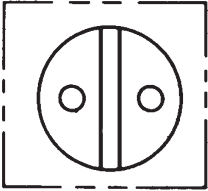
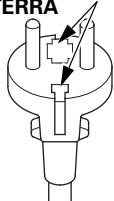
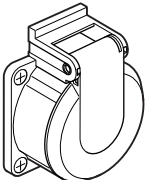
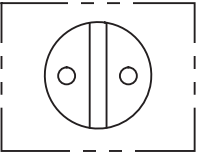
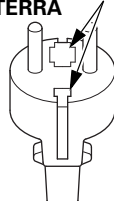
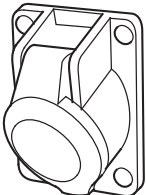
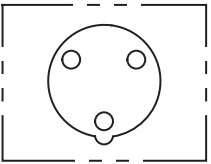
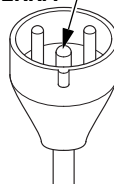
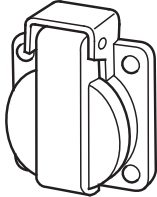
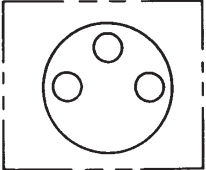
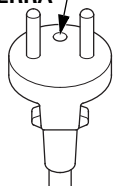
	IG	E
LIBERO		
PREMERE		

INTERRUTTORE ECO-ACCELERATORE

TERMINALE	Hz	GND	SW
ECO-ACCELERATORE	ON		
	OFF		

INFORMAZIONI TECNICHE

Presse

Tipo	Forma		Spina
G			<p data-bbox="851 245 1039 289">PERNO DI MESSA A TERRA</p> 
GW			<p data-bbox="851 488 1039 532">PERNO DI MESSA A TERRA</p> 
IT			<p data-bbox="851 732 1039 776">PERNO DI MESSA A TERRA</p> 
F			<p data-bbox="851 976 1039 1019">PERNO DI MESSA A TERRA</p> 

MONTAGGIO

SICUREZZA

L'importanza di un corretto montaggio

Il corretto montaggio è fondamentale per la sicurezza dell'operatore e l'affidabilità della macchina. Qualsiasi errore o distrazione da parte della persona che monta ed esegue la manutenzione di un'unità potrebbe facilmente causare un difetto operativo, danni alla macchina o un infortunio dell'operatore.

ATTENZIONE

Un montaggio erraneo può causare una condizione di pericolo che potrebbe condurre a infortuni gravi o letali.

Seguire attentamente le procedure e precauzioni contenute nelle istruzioni di montaggio.

Di seguito sono elencate alcune delle precauzioni di sicurezza più importanti. Tuttavia, ricordarsi che è impossibile avvisare di tutti i pericoli possibili che possono insorgere durante questo montaggio. Solo l'addetto all'intervento può decidere se è necessario eseguire una determinata procedura.

ATTENZIONE

La mancata osservanza delle istruzioni e delle precauzioni può causare lesioni personali gravi o la morte.

Seguire attentamente le procedure e precauzioni contenute nel presente manuale.

Importanti precauzioni di sicurezza

- Accertarsi di comprendere chiaramente tutte le procedure di sicurezza base di officina e di indossare indumenti ed equipaggiamento di sicurezza appropriati. Nell'eseguire questo montaggio, prestare particolare attenzione a quanto segue:
 - Leggere tutte le istruzioni prima di iniziare ed accertarsi di avere gli attrezzi e i requisiti richiesti per svolgere le attività in maniera sicura.
- Controllare che il motore sia spento prima di iniziare qualsiasi tipo di intervento di montaggio, manutenzione o riparazione. Ciò aiuterà ad eliminare numerosi potenziali rischi:
 - Avvelenamento da monossido di carbonio provocato dagli scarichi del motore.**
Operare in ambiente aperto, lontano da porte e finestre aperte.
 - Ustioni provocate da parti calde.**
Lasciar raffreddare il motore e il sistema di scarico prima di intervenire su di essi.
 - Lesioni provocate da parti in movimento.**
Azionare il motore solo se espressamente indicato dalle istruzioni. Anche in tal caso, mantenere le mani, dita e indumenti a distanza di sicurezza. Non azionare il motore con qualsiasi protezione o schermatura rimossa.
- Per ridurre la possibilità di incendio o esplosione, prestare particolare attenzione quando si lavora in prossimità della benzina o di batterie. Per pulire i componenti, utilizzare soltanto solventi incombustibili, mai benzina. Tenere lontano tutte le sigarette, scintille e fiamme da tutti i componenti correlati al carburante.

MONTAGGIO

MONTAGGIO

Disimballaggio

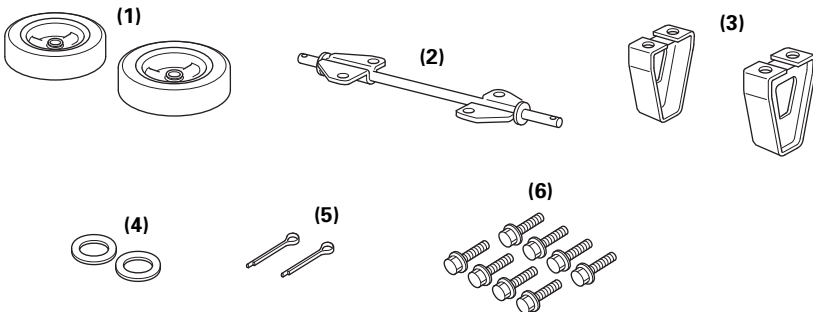
1. Rimuovere il generatore e la scatola delle parti sciolte dal cartone.
2. Confrontare le parti sciolte con l'elenco di inventario seguente.

Attrezzi necessari: chiave di 12 mm, chiave di 10 mm o cacciavite a croce per le connessioni della batteria, pinze (non incluse)

Parti sciolte

Controllare tutte le parti sciolte a fronte del seguente elenco.

N. di rif.	Descrizione	Q.tà
1	Ruota	2
2	Assale	1
3	Supporto	2
4	Rondella di 20 mm	2
5	Coppiglia 4,0 × 28 mm	2
6	Bullone flangiato 8 × 20 mm	8



Installazione del kit delle ruote

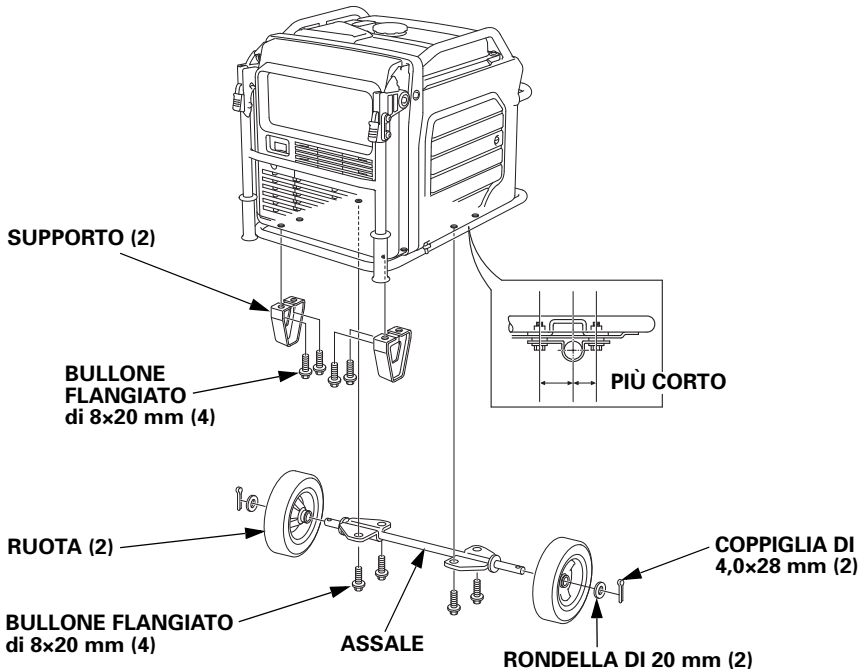
Non azionare il generatore senza il kit delle ruote installato. Il kit delle ruote crea una luce libera tra il terreno e la presa d'aria del generatore.

AVVISO

Se il kit delle ruote non è installato, sporcizia e detriti potrebbero essere aspirati nella presa d'aria del generatore e potenzialmente danneggiare il generatore. Azionare sempre il generatore con il kit delle ruote installato.

1. Installare le due ruote sull'assale usando le rondelle di 20 mm e le coppiglie di $4,0 \times 28$ mm.
2. Installare il gruppo dell'assale sul generatore usando i quattro bulloni flangiati di 8×20 mm.
3. Installare i due supporti sul sottotelaio usando i quattro bulloni flangiati di 8×20 mm.

COPPIA DI SERRAGGIO: 15–22 N·m (1,5–2,2 kgf·m)



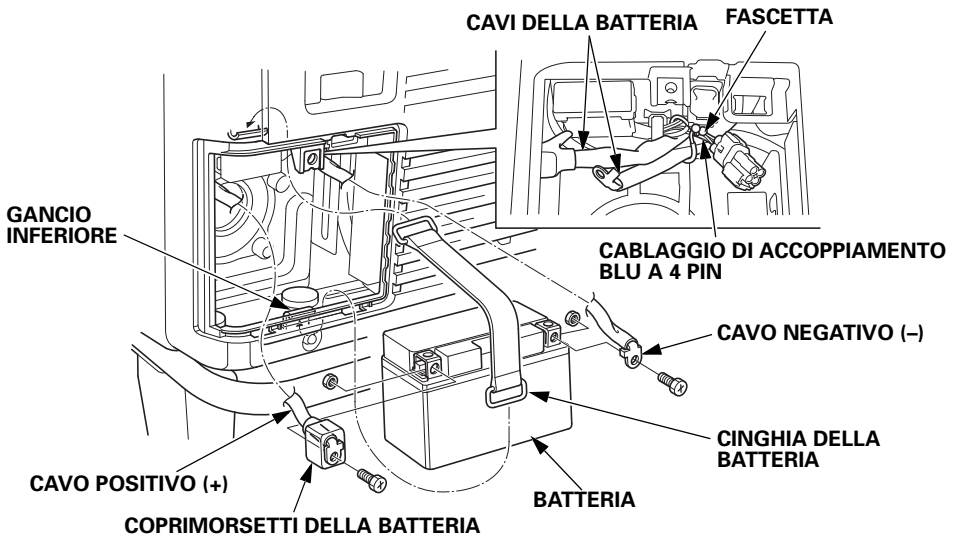
MONTAGGIO

Batteria

I morsetti, i terminali della batteria e i relativi accessori contengono piombo e composti al piombo. Lavare le mani dopo averli maneggiati.

La batteria è scollegata e fissata con delle cinghie nel vassoio portabatteria per la spedizione.

1. Rimuovere il coperchio di manutenzione della batteria (vedere pag. 63).
2. Rimuovere la cinghia della batteria dal gancio inferiore, e quindi rimuovere la batteria.
3. Rimuovere i cavi della batteria soltanto dalla fascetta.
Verificare che il cablaggio di accoppiamento blu a 4 pin sia fissato con la fascetta.
Caricare correttamente la batteria. Vedere pagina 65.
Reinstallare la batteria.
4. Rimuovere il coperchio protettivo dal terminale positivo (+) della batteria, e collegare il cavo positivo (+) al terminale positivo (+) della batteria. Coprire il terminale con il comprimorsetto della batteria.
5. Collegare il cavo negativo (-) al terminale negativo (-) della batteria.
6. Fissare la batteria agganciando la cinghia sul gancio inferiore del generatore.



7. Installare il coperchio di manutenzione della batteria invertendo la procedura di rimozione (vedere pagina 63).
Non azionare mai il generatore con il coperchio di manutenzione della batteria aperto, in quanto ciò comprometterà le prestazioni del motore e del generatore.

Olio motore

Il generatore viene spedito **SENZA OLIO** nel motore.

Posizionare il motore su una superficie in piano. Aprire il coperchio di manutenzione destro ruotando la relativa chiusura in senso antiorario. Togliere il tappo del bocchettone di rifornimento dell'olio. Aggiungere una quantità dell'olio consigliato sufficiente a portare il livello dell'olio in corrispondenza della tacca superiore del bocchettone di riempimento olio.

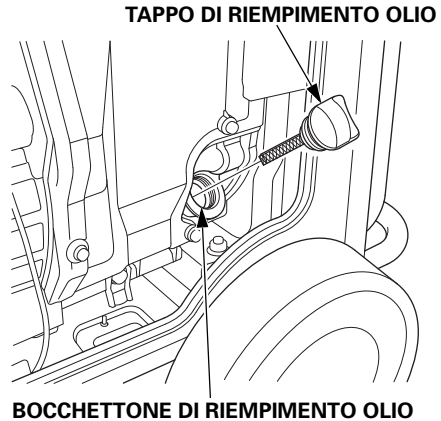
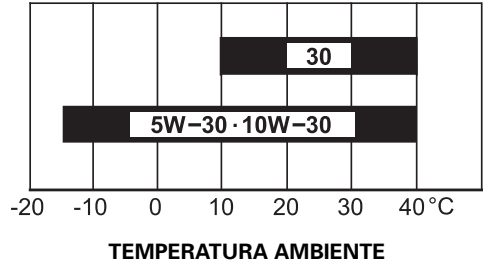
Usare olio per motori a 4 tempi che sia conforme ai requisiti per la categoria API SE o successive (o equivalenti).

Si consiglia SAE 10W-30 per un uso generico a tutte le temperature. È possibile utilizzare le altre viscosità della tabella quando la temperatura della propria zona è compresa nell'intervallo indicato.

Reinstallare saldamente il tappo di riempimento olio. Chiudere il coperchio di manutenzione destro ruotando la relativa chiusura in senso orario.

Carburante

Fare riferimento a pagina 52.



MONTAGGIO

Tensione della batteria

Controllare la tensione della batteria con l'i-Monitor (vedere pagina 26).

La tensione della batteria dovrebbe essere di 12,3 V o più.

Se la tensione della batteria è insufficiente, caricarla fino a raggiungere una tensione pari o superiore a 12,3 V.

PRIMA DELL'UTILIZZO

Prima di usare il generatore, tutti gli addetti devono leggere i seguenti capitoli e sezioni:

- **SICUREZZA DEL GENERATORE** (vedere pagina 6)
- **COMANDI E FUNZIONI** (vedere pagina 14)
- **PRIMA DELL'USO** (vedere pagina 29)
- **FUNZIONAMENTO** (vedere pagina 31)
- **AVVIAMENTO DEL MOTORE** (vedere pagina 33)
- **SPEGNIMENTO DEL MOTORE** (vedere pagina 36)
- **PROGRAMMA DI MANUTENZIONE** (vedere pagina 51)

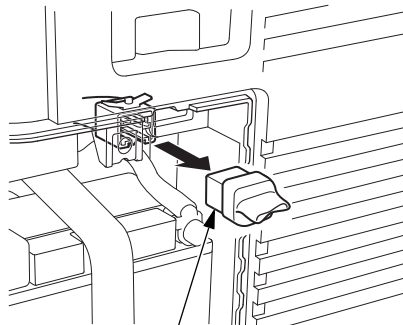
PARTI OPZIONALI

KIT PER IL COMANDO A DISTANZA

L'uso del comando a distanza in ambienti bagnati, come in presenza di pioggia o neve, oppure in prossimità di un sistema di irrigazione a spruzzo o di una piscina, oppure con le mani bagnate potrebbe causare dei guasti. Mantenere il comando a distanza asciutto.

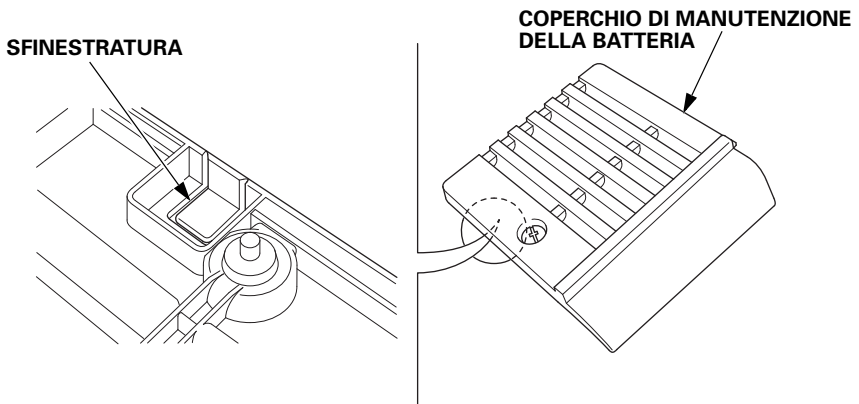
(grado di protezione: IP3X)

1. Rimuovere il coperchio di manutenzione della batteria (vedere pag. 63).
2. Rimuovere il tappo dal connettore.
 - Non gettare via il tappo. Il tappo va riapplicato al connettore dopo aver rimosso il kit di comando a distanza.



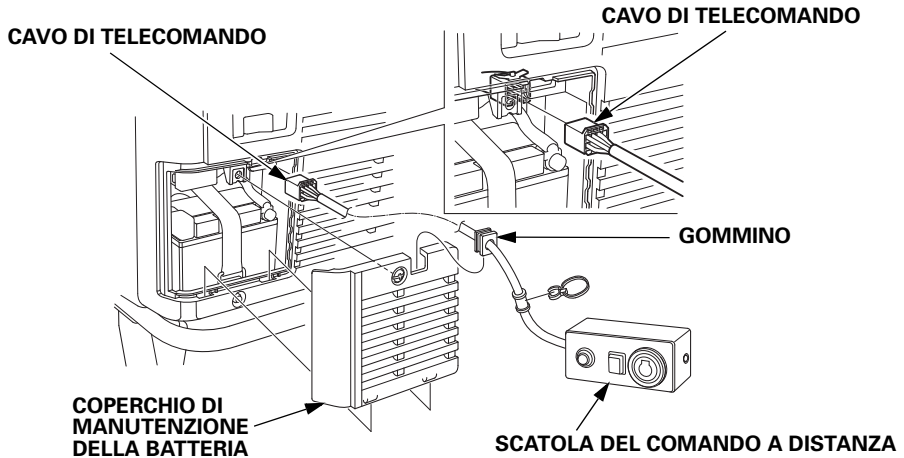
TAPPO

3. Osservare il retro del coperchio di manutenzione della batteria e individuare la sfinestratura vicino alla parte centrale superiore del coperchio. Rimuovere con cautela la sfinestratura.

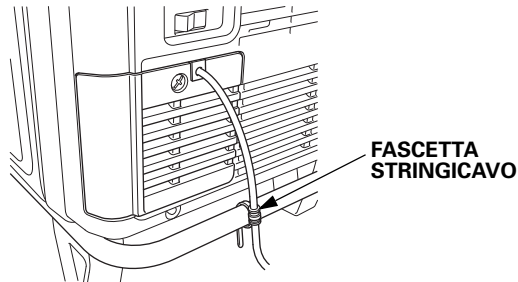


PARTI OPZIONALI

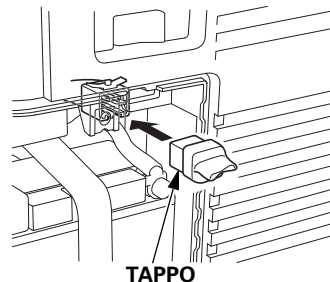
4. Montare il gommino nella sfenestratura del coperchio di manutenzione della batteria.
5. Innestare il cavo del comando a distanza nel connettore.
6. Installare il coperchio di manutenzione della batteria e serrare la vite del coperchio.



7. Per evitare di scollegare accidentalmente il cavo di comando a distanza, fissarlo al telaio del generatore con una fascetta stringicavo, come mostrato.



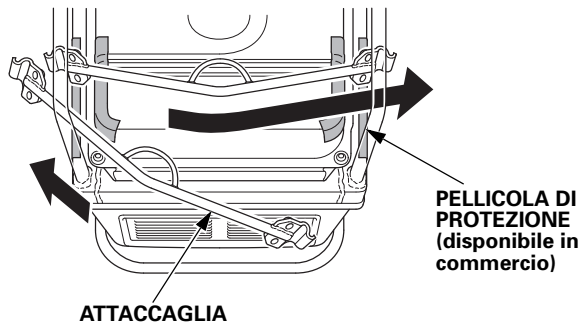
- Non azionare mai il generatore con il coperchio di manutenzione della batteria aperto in quanto ciò comprometterebbe le prestazioni del motore e del generatore.
- Installare il tappo nel connettore dopo aver rimosso il kit di comando a distanza.



KIT ATTACCAGLIA

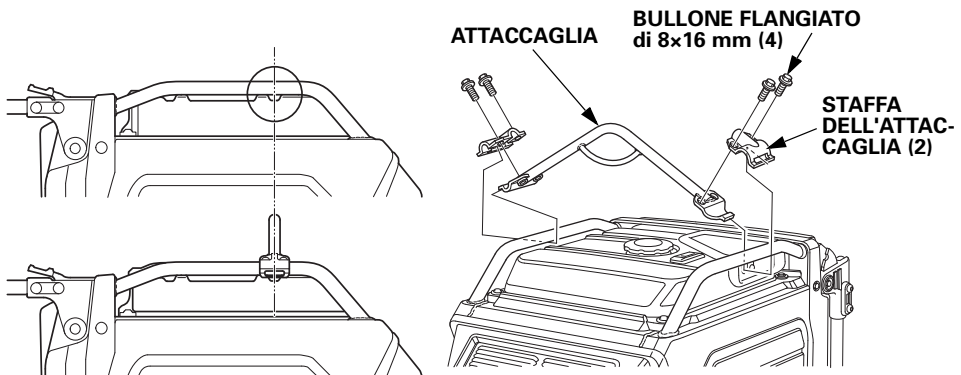
Proteggere il serbatoio del carburante e il tubo del telaio con delle pellicole di protezione durante l'installazione dell'attaccaglia.

1. Far scorrere un'estremità dell'attaccaglia sotto il tubo del telaio sul lato sinistro del generatore.
2. Far scorrere l'altra estremità dell'attaccaglia sotto il tubo del telaio sul lato destro del generatore.



3. Far scorrere l'attaccaglia lungo i tubi del telaio per allineare il centro dell'attaccaglia con la parte incassata sul lato posteriore del serbatoio del carburante.
4. Installare le staffe dell'attaccaglia su entrambe le estremità dell'attaccaglia e serrare saldamente i bulloni flangiati di 8x16 mm.

COPPIA DI SERRAGGIO: 24–29 N·m (2,4–3,0 kgf·m)



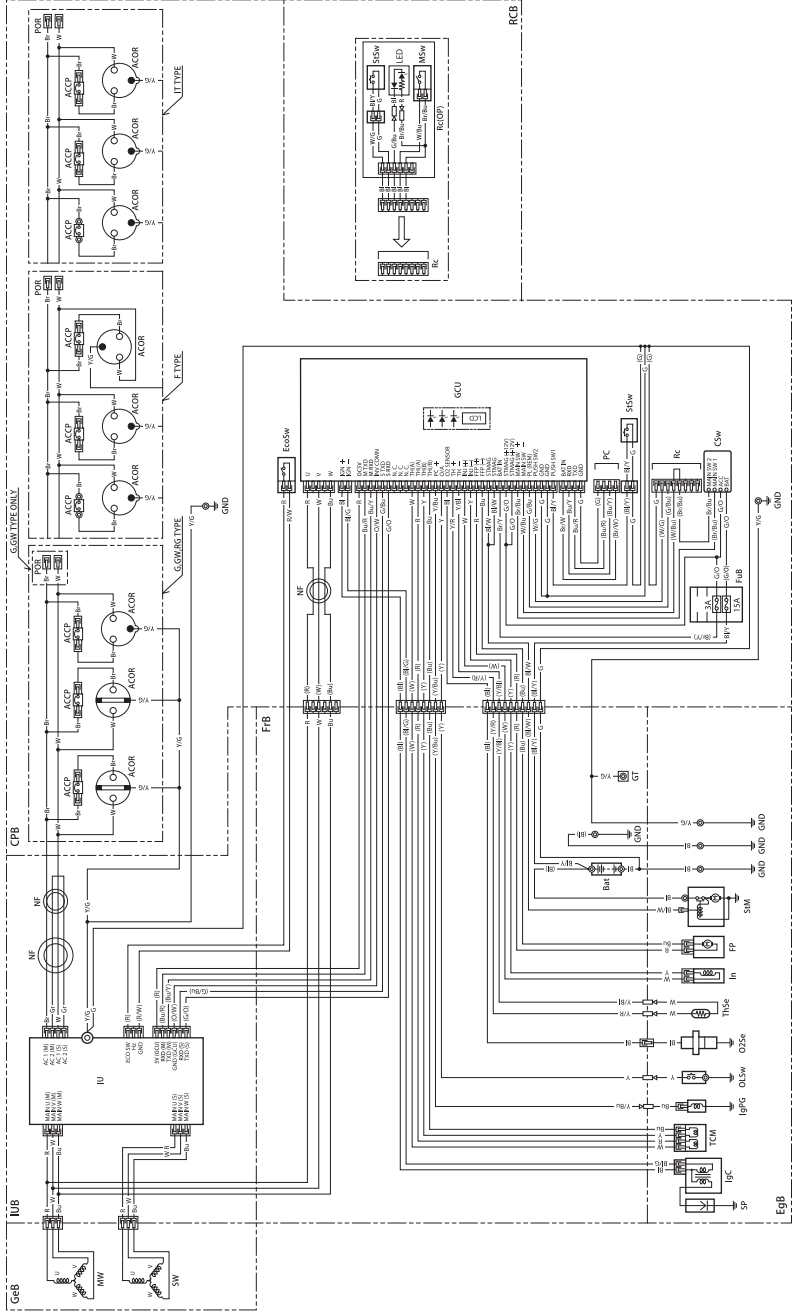
MEMO

WIRING DIAGRAM

SCHÉMA DE CABLAGE

SCHALTPLAN

DIAGRAMMA DEI COLLEGAMENTI



MAJOR Honda DISTRIBUTOR ADDRESSES

For further information, please contact Honda Customer Information Centre at the following address or telephone number:

ADRESSES DES PRINCIPAUX DISTRIBUTEURS Honda

Pour plus d'informations, s'adresser au Centre d'informations clients Honda à l'adresse ou numéro de téléphone suivants:

ADRESSEN DER HAUPT-Honda-VERTEILER

Weitere Informationen erhalten Sie gerne vom Honda-Kundeninformationszentrum unter der folgenden Adresse oder Telefonnummer:

INDIRIZZI DEI PRINCIPALI DISTRIBUTORI Honda

Per ulteriori informazioni rivolgersi al Centro informazioni clienti Honda al seguente indirizzo o numero telefonico:

AUSTRIA

Honda Motor Europe Ltd

Hondastraße 1

2351 Wiener Neudorf

Tel. : +43 (0)2236 690 0

Fax : +43 (0)2236 690 480

<http://www.honda.at>

✉ HondaPP@honda.co.at

BALTIC STATES

(Estonia/Latvia/
Lithuania)

Honda Motor Europe Ltd Eesti filiaal

Meistri 12

13517 Tallinn

Estonia

Tel. : +372 651 7300

Fax : +372 651 7301

✉ honda.baltic@honda-eu.com.

BELGIUM

Honda Motor Europe Ltd

Doornveld 180-184

1731 Zellik

Tel. : +32 2620 10 00

Fax : +32 2620 10 01

<http://www.honda.be>

✉ BH_PE@HONDA-EU.COM

BULGARIA

Kirov Ltd.

49 Tsaritsa Yoana blvd

1324 Sofia

Tel. : +359 2 93 30 892

Fax : +359 2 93 30 814

<http://www.kirov.net>

✉ honda@kirov.net

CROATIA

Hongoldonia d.o.o.

Vrbaska 1c

31000 Osijek

Tel. : +38531320420

Fax : +38531320429

<http://www.hongoldonia.hr>

✉ prodaja@hongoldonia.hr

CYPRUS

Alexander Dimitriou & Sons
Ltd.

162, Yiannos Kranidiotis

Avenue

2235 Latsia, Nicosia

Tel. : +357 22 715 300

Fax : +357 22 715 400

CZECH REPUBLIC

BG Technik cs, a.s.

U Zavodiste 251/8

15900 Prague 5 - Velka

Chuchle

Tel. : +420 2 838 70 850

Fax : +420 2 667 111 45

<http://www.honda-stroje.cz>

DENMARK

TIMA A/S

Tårnfalkevej 16

2650 Hvidovre

Tel. : +45 36 34 25 50

Fax : +45 36 77 16 30

<http://www.hondapower.dk>

FINLAND

OY Brandt AB.

Tuupakantie 7B

01740 Vantaa

Tel. : +358 207757200

Fax : +358 9 878 5276

<http://www.brandt.fi>

FRANCE

Honda Motor Europe Ltd

Division Produit d'Equipement

Parc d'activités de Pariest, Allée du

1er mai

Croissy Beaubourg BP46, 77312

Marne La Vallée Cedex 2

Tél. : 01 60 37 30 00

Fax : 01 60 37 30 86

<http://www.honda.fr>

✉ espace-client@honda-eu.com

GERMANY

Honda Deutschland

Niederlassung der Honda Motor
Europe Ltd.

Hanauer Landstraße 222-224

D-60314 Frankfurt

Tel. : 01805 20 20 90

Fax. : +49 (0)69 83 20 20

<http://www.honda.de>

✉ info@post.honda.de

GREECE

Saracakis Brothers S.A.

71 Leoforos Athinon

10173 Athens

Tel. : +30 210 3497809

Fax : +30 210 3467329

<http://www.honda.gr>

✉ info@saracakis.gr

HUNGARY

Motor Pedo Co., Ltd.
Kamaraerdei ut 3.
2040 Budaors
Tel. : +36 23 444 971
Fax : +36 23 444 972
<http://www.hondakisgepek.hu>
✉ info@hondakisgepek.hu

ICELAND

Bernhard ehf.
Vatnagardar 24-26
104 Reykjavik
Tel. : +354 520 1100
Fax : +354 520 1101
<http://www.honda.is>

IRELAND

Two Wheels Ltd
M50 Business Park, Ballymount
Dublin 12
Tel. : +353 1 4381900
Fax : +353 1 4607851
<http://www.hondaireland.ie>
✉ Service@hondaireland.ie

ITALY

Honda Italia Industriale S.p.A.
Via della Cecchignola, 13
00143 Roma
Tel. : +848 846 632
Fax : +39 065 4928 400
<http://www.hondaitalia.com>
✉ info.power@honda-eu.com

MALTA

**The Associated Motors
Company Ltd.**
New Street in San Gwakklin Road
Mriehel Bypass, Mriehel QRM17
Tel. : +356 21 498 561
Fax : +356 21 480 150

NETHERLANDS

Honda Motor Europe Ltd
Afd, Power Equipment
Capronilaan 1
1119 NN Schiphol-Rijk
Tel. : +31 20 7070000
Fax. : +31 20 7070001
<http://www.honda.nl>

NORWAY

Berema AS
P.O. Box 454
1401 Ski
Tel. : +47 64 86 05 00
Fax : +47 64 86 05 49
<http://www.berema.no>
✉ berema@berema.no

POLAND

Aries Power Equipment Sp. z o.o.
ul. Wroclawska 25
01-493 Warszawa
Tel. : +48 (22) 861 43 01
Fax : +48 (22) 861 43 02
<http://www.ariespower.pl>
<http://www.mojahonda.pl>
✉ info@ariespower.pl

PORTUGAL

GROW Productos de Forca Portugal
Rua Fontes Pereira de Melo 16
Abrunheira, 2714-506 Sintra
Tel. : +351 211 303 000
Fax : +351 211 303 003
<http://www.grow.com.pt>
✉ abel.leiriao@grow.com.pt

REPUBLIC OF BELARUS

Scanlink Ltd.
Kozlova Drive, 9
220037 Minsk
Tel. : +375 172 999090
Fax : +375 172 999900
<http://www.hondapower.by>

ROMANIA

Hit Power Motor Srl
str. Vasile Stroescu nr. 12,
Camera 6, Sector 2
021374 Bucuresti
Tel. : +40 21 637 04 58
Fax : +40 21 637 04 78
<http://www.honda.ro>
✉ hit_power@honda.ro

RUSSIA

Honda Motor RUS LLC
1, Pridirizhnaya Street, Sharapovo
settlement, Naro-Fominsky district,
Moscow Region, 143350 Russia
Tel. : +7 (495) 745 20-80
Fax : +7 (495) 745 20 81
<http://www.honda.co.ru>
✉ postoffice@honda.co.ru

SERBIA & MONTENEGRO

BPP Group d.o.o

Generala Horvatovica 68

11000 Belgrade

Tel. : +381 11 3820 295

Fax : +381 11 3820 296

<http://www.hondasrbija.co.rs>

✉ honda@bazis.co.rs

SLOVAK REPUBLIC

**Honda Motor Europe Ltd Slovensko,
organizačná zložka**

Prievozska 6 821 09 Bratislava

Tel. : +421 2 32131112

Fax : +421 2 32131111

<http://www.honda.sk>

SLOVENIA

AS Domzale Moto Center D.O.O.

Blatnica 3A

1236 Trzin

Tel. : +386 1 562 22 62

Fax : +386 1 562 37 05

<http://www.honda-as.com>

✉ infomacije@honda-as.com

SPAIN & Las Palmas province (Canary Islands)

Greens Power Products, S.L.

Poligono Industrial Congost -

Av Ramon Ciurans n°2

08530 La Garriga - Barcelona

Tel. : +34 93 860 50 25

Fax : +34 93 871 81 80

<http://www.hondaencasa.com>

Tenerife province (Canary Islands)

Automocion Canarias S.A.

Carretera General del Sur, KM. 8,8

38107 Santa Cruz de Tenerife

Tel. : +34 (922) 620 617

Fax : +34 (922) 618 042

<http://www.aucasa.com>

✉ ventas@aucasa.com

✉ taller@aucasa.com

SWEDEN

**Honda Motor Europe Ltd filial
Sverige**

Box 31002 - Långhusgatan 4

215 86 Malmö

Tel. : +46 (0)40 600 23 00

Fax : +46 (0)40 600 23 19

<http://www.honda.se>

✉ hpesinfo@honda-eu.com

SWITZERLAND

**Honda Motor Europe Ltd., Slough
Succursale de Satigny/Genève**

Rue de la Bergère 5

1242 Satigny

Tel. : +41 (0)22 989 05 00

Fax : +41 (0)22 989 06 60

<http://www.honda.ch>

TURKEY

Anadolu Motor Uretim ve

Pazarlama AS

Esentepe mah. Anadolu

cad. No: 5

Kartal 34870 Istanbul

Tel. : +90 216 389 59 60

Fax. : +90 216 353 31 98

<http://www.anadolumotor.com.tr>

✉ antor@antor.com.tr

UKRAINE

Honda Ukraine LLC

101 Volodymyrska Str. - Build. 2

Kyiv 01033

Tel. : +380 44 390 14 14

Fax : +380 44 390 14 10

<http://www.honda.ua>

✉ CR@honda.ua

UNITED KINGDOM

Honda Motor Europe Ltd

470 London Road

Slough - Berkshire, SL3 8QY

Tel. : +44 (0)845 200 8000

<http://www.honda.co.uk>

"EC Declaration of Conformity" CONTENT OUTLINE
"CE-Déclaration de conformité" DESCRIPTION DE TABLE DES MATIERES
"EU-Konformitätserklärung" INHALTSÜBERSICHT
DESCRIPCIÓN GENERAL DEL CONTENIDO DE LA "Declaración de Conformidad CE"
DESCRIZIONE DEL CONTENUTO DELLA "Dichiarazione CE di Conformità"

EC Declaration of Conformity

1. The undersigned, Pascal De Jonge, on behalf of the authorized representative, herewith declares that the machinery described below fulfils all the relevant provisions of:
- Directive 2006/42/EC on machinery
 - Directive 2004/108/EC on electromagnetic compatibility
 - Directive 2000/14/EC – 2005/88/EC on outdoor noise

2. Description of the machinery

- a) Generic denomination: Generating sets
 b) Function: producing electrical power

c) Commercial name	d) Type	e) Serial number
*1	*1	

3. Manufacturer

Honda Siel Power Products Ltd.
 Plot No.5, Sector-41(Kasna),
 Greater Noida Industrial Development Area,
 Distt. Gautam Budh Nagar(U.P.),
 Pin 201310, India

4. Authorized representative and able to compile the technical documentation

Honda Motor Europe Ltd Belgian Branch
 p/a Honda Motor Europe Ltd – Aalst Office
 Wijngaardveld 1 (Noord V)
 B-9300 Aalst (Belgium)

5. References to harmonized standards	6. Other standards or specifications
EN 12601:2010	-

7. Outdoor noise Directive

- a) Measured sound power dB(A): *1
 b) Guaranteed sound power dB(A): *1
 c) Noise parameter: *1
 d) Conformity assessment procedure: ANNEX VI
 e) Notified body: AIB-VINCOTTE International nv
 Jan Olieslagerslaan 35
 B-1800 Vilvoorde BELGIUM

8. Done at:

Aalst , BELGIUM

9. Date:

 Pascal De Jonge
 Homologation Manager
 Honda Motor Europe Ltd Belgian Branch
 p/a Honda Motor Europe Ltd – Aalst Office

*1: see specification page.

*1: voir page de spécifications

*1: Siehe Spezifikationen-Seite

*1: consulte la página de las especificaciones

*1: vedi la pagina delle caratteristiche tecniche

<p>Français. (French) Déclaration CE de Conformité</p> <p>1. Le sous signé, Pascal De Jonge, de la part du représentant autorisé, déclare que la machine décrit ci-dessous répond à toutes les dispositions applicables de</p> <ul style="list-style-type: none"> * Directive Machine 2006/42/CE * Directive 2004/108/CE sur la compatibilité électromagnétique * Directive 2000/14/CE - 2005/88/CE des émissions sonores dans l'environnement des matériels destinés à être utilisé à l'extérieur des bâtiments <p>2. Description de la machine</p> <p>a) Dénomination générale : Générateur b) Fonction : produire du courant électrique c) Nom Commercial d) Type e) Numéro de série f) Constructeur</p> <p>4. Représentant autorisé et en charge des éditions de documentation techniques</p> <p>5. Référence aux normes harmonisées</p> <p>6. Autres normes et spécifications</p> <p>7. Directive des émissions sonores dans l'environnement des matériels destinés à être utilisé à l'extérieur des bâtiments</p> <p>a) Puissance acoustique mesurée b) Puissance acoustique garantie c) Paramètre du bruit d) Procédure d'évaluation de conformité e) Organisme notifié</p> <p>8. Fait à 9. Date</p>	<p>Italiano (Italian) Dichiarazione CE di Conformità</p> <p>1. Il sottoscritto, Pascal De Jonge, in qualità di rappresentante autorizzato, dichiara qui di seguito che la macchina sotto descritta soddisfa tutte le disposizioni pertinenti delle:</p> <ul style="list-style-type: none"> * Direttiva macchina 2006/42/CE * Direttiva sulla compatibilità elettromagnetica 2004/108/CE * Direttiva sulla emissione acustica delle macchine e attrezzature destinate a funzionare all'aperto 2000/14/CE - 2005/88/CE <p>2. Descrizione della macchina</p> <p>a) Denominazione generica : Generatore b) Funzione : Produzione di energia elettrica c) Denominazione commerciale d) Tipo e) Numero di serie f) Costruttore</p> <p>4. Rappresentante autorizzato e competente per la compilazione della documentazione tecnica</p> <p>5. Riferimento agli standard armonizzati</p> <p>6. Altri standard o specifiche</p> <p>7. Direttiva sulla emissione acustica delle macchine e attrezzature destinate a funzionare all'aperto</p> <p>a) Livello di potenza sonora misurato b) Livello di potenza sonora garantito c) Parametri emissione acustica d) Procedura di valutazione della conformità e) Organismo notificato</p> <p>8. Fatto a 9. Data</p>	<p>Deutsch (German) EG-Konformitätserklärung</p> <p>1. Der Unterzeichner, Pascal De Jonge erklärt hiermit im Namen der Bevollmächtigten, dass das hierunter genannte Maschine allen einschlägigen Bestimmungen der * entspricht.</p> <ul style="list-style-type: none"> * Maschinenrichtlinie 2006/42/EG * Richtlinie der Elektromagnetischen Kompatibilität 2004/108/EG * Geräuschrichtlinie im Freien 2000/14/EG - 2005/88/EG <p>2. Beschreibung der Maschine</p> <p>a) Allgemeine Bezeichnung : Stromerzeuger b) Funktion : Strom produzieren c) Handelsbezeichnung d) Typ e) Seriennummer f) Hersteller</p> <p>4. Bevollmächtigter und in der Position, die technische Dokumentation zu erstellen</p> <p>5. Verweise auf harmonisierte Normen</p> <p>6. Andere Normen oder Spezifikationen</p> <p>7. Geräuschrichtlinie im Freien</p> <p>a) Gemessene Lautstärke b) Schalleistungspegel c) Geräuschvorgabe d) Konformitätsbewertungs Ablauf e) Benannte Stelle f) Datum</p>
<p>Nederlands (Dutch) EG-verklaring van overeenstemming</p> <p>1. Ondergetekende, Pascal De Jonge, in naam van de gemachtigde van de fabrikant, verklaart hiermee dat het hieronder beschreven machine voldoet aan alle toepasselijke bepalingen van :</p> <ul style="list-style-type: none"> * Richtlijn 2006/42/EG betreffende machines * Richtlijn 2004/108/EG betreffende elektromagnetische overeenstemming * Richtlijn 2000/14/EG - 2005/88/EG betreffende geluidsemissie (openlucht) <p>2. Beschrijving van de machine</p> <p>a) Algemene benaming : Generator b) Functie : elektriciteit produceren c) Handelsbenaming d) Type e) Serienummer f) Fabrikant</p> <p>4. Gemachtigde van de fabrikant en in staat om de technische documentatie samen te stellen</p> <p>5. Refereert naar geharmoniseerde normen</p> <p>6. Andere normen of specificaties</p> <p>7. Geluidsemissierichtlijn (openlucht)</p> <p>a) Gemeten geluidsvermogensniveau b) Gewaarborgd geluidsvermogensniveau c) Geluidsparemeter d) Conformiteitsbeoordelingsprocedure e) Aangemelde instantie</p> <p>8. Plaats 9. Datum</p>	<p>Dansk (Danish) EF OVERENSTEMMELSEERKLÆRING</p> <p>1. UNDERTEGNEDE, PASCAL DE JONGE, PÅ VEGNE AF DEN AUTORISEREDE REPRÆSENTANT, ERKLÆRER HERMED AT MASKINEN, SOM ER BESKRIVET NEDENFOR, OPFYLDER ALLE RELEVANTE BESTEMMELSER I FØLGENDE:</p> <ul style="list-style-type: none"> * MASKINDIREKTIV 2006/42/EF * EMC DIREKTIV 2004/108/EF * DIREKTIV OM STØJEMISSION 2000/14/EF - 2005/88/EF <p>2. BESKRIVELSE AF PRODUKTET</p> <p>a) FÆLLESBETEGNELSE : Generator b) ANVENDELSE : Produktion af elektricitet c) HANDELSBETEGNELSE d) TYPE e) SERIENUMMER</p> <p>3. PRODUCENT</p> <p>4. AUTORISERET REPRÆSENTANT OG I STAND TIL AT UDBARBEJDE DEN TEKNISKE DOKUMENTATION</p> <p>5. REFERENCE TIL HARMONISEREDE STANDARDER</p> <p>6. ANDRE STANDARDER ELLER SPECIFIKATIONER</p> <p>7. DIREKTIV OM STØJEMISSION FRA MASKINER TIL UDENDØRS BRUG</p> <p>a) MÅLT LYDEFFEKTNIVEAU b) GARANTERET LYDEFFEKTNIVEAU c) STØJPARAMETER d) PROCEDURE FOR OVERENSTEMMELSESVURDERING e) BEMYNDIGET ORGAN</p> <p>8. STED 9. DATO</p>	<p>Ελληνικά (Greek) ΕΚ-Δήλωση συμμόρφωσης</p> <p>1. Ο κάτωθι υπογεγραμμένος, Pascal De Jonge, εκ μέρους του εξουσιοδοτημένου αντιπροσώπου με το παρών δηλώνω ότι το παρακάτω περιγραφόμενο όχημα πληροί όλες τις σχετικές προδιαγραφές του:</p> <ul style="list-style-type: none"> * Οδηγία 2006/42/ΕΚ για μηχανές * Οδηγία 2004/108/ΕΚ για την ηλεκτρομαγνητική συμβατότητα * Οδηγία 2000/14/ΕΚ - 2005/88/ΕΚ για το επίπεδο θορύβου σε εξωτερικούς χώρους. <p>2. Περιγραφή μηχανήματος</p> <p>a) Γενική ονομασία : Ηλεκτροπαραγωγό ζεύγος b) Λειτουργία : για παραγωγή ηλεκτρικής ενέργειας c) Εμπορική ονομασία d) Τύπος e) Αριθμός σειράς παραγωγής f) Κατασκευαστής</p> <p>4. Εξουσιοδοτημένος αντιπρόσωπος και είναι σε θέση να καταρτίσει τον τεχνικό φάκελο</p> <p>5. Αναφορά σε εναρμονισμένα πρότυπα</p> <p>6. Λοιπά πρότυπα ή προδιαγραφές</p> <p>7. Οδηγία επιπέδου θορύβου εξωτερικών χώρων</p> <p>a) Μετρηθείσα ηχητική ένταση b) Εγγυημένη ηχητική ένταση c) Ηχητική παράμετρος d) Διαδικασία πιστοποίησης e) Οργανισμός πιστοποίησης f. Η δοκιμή έγινε 9. Ημερομηνία</p>
<p>Svenska (Swedish) EG-försäkran om överensstämmelse</p> <p>1. Undertecknad, Pascal De Jonge, på uppdrag av auktoriserad representant, deklarerar härmed att maskinen beskriven nedan fullföljer alla relevanta bestämmelser enligt :</p> <ul style="list-style-type: none"> * Direktiv 2006/42/EG gällande maskiner * Direktiv 2004/108/EG gällande elektromagnetisk kompatibilitet * Direktiv 2000/14/EG - 2005/88/EG gällande buller utomhus <p>2. Maskinbeskrivning</p> <p>a) Allmän benämning : Elverk b) Funktion : producera el c) Och varunamn d) Typ e) Serienummer f) Tillverkare</p> <p>4. Auktoriserad representant och ska kunna sammanställa teknisk dokumentationen</p> <p>5. referens till överensstämmande standarder</p> <p>6. Andra standarder eller specifikationer</p> <p>7. Direktiv för buller utomhus</p> <p>a) Uppmått ljudnivå b) Garanterad ljudnivå c) Buller parameter d) Förfarande för bedömning e) Anmälda organ</p> <p>8. Utfärdat vid 9. Datum</p>	<p>Español (Spanish) Declaración de Conformidad CE</p> <p>1. El abajo firmante, Pascal De Jonge, en representante autorizado, adjunto declara que la máquina abajo descrita, cumple las cláusulas relevantes de:</p> <ul style="list-style-type: none"> * Directiva 2006/42/CE de maquinaria * Directiva 2004/108/CE de compatibilidad electromagnética * Directiva 2000/14/CE - 2005/88/CE de ruido exterior <p>2. Descripción de la máquina</p> <p>a) Denominación genérica : Generador b) Función : Producción de electricidad c) Denominación comercial d) Tipo e) Número de serie f) Fabricante</p> <p>4. Representante autorizado que puede compilar el expediente técnico</p> <p>5. Referencia de los estándar armonizados</p> <p>6. Otros estándar o especificaciones</p> <p>7. Directiva sobre ruido exterior</p> <p>a) Potencia sonora Medida b) Potencia sonora Garantizada c) Parámetros ruido d) Procedimiento evaluación conformidad e) Organismo notificado</p> <p>8. Realizado en 9. Fecha</p>	<p>Română (Romanian) CE -Declaratie de Conformitate</p> <p>1. Subsemnatul Pascal De Jonge, in numele reprezentantului autorizat, declar prin prezenta faptul ca echipamentul descris mai jos indeplineste toate conditiile necesare din:</p> <ul style="list-style-type: none"> * Directiva 2006/42/CE privind echipamentul * Directiva 2004/108/CE privind compatibilitatea electromagnetica * Directiva 2000/14/CE - 2005/88/CE privind poluarea fonica in spatiu deschis <p>2. Descrierea echipamentului</p> <p>a) Denumire generica : Motogenerator electric b) Domeniul de utilizare : generarea energiei electrice c) Denumire comerciala d) Tip e) Serie produs f) Producator</p> <p>4. Reprezentant autorizat și abilitat să realizeze documentație tehnică</p> <p>5. Referința la standarde armonizate</p> <p>6. Alte standarde sau norme</p> <p>7. Directiva privind poluarea fonica in spatiu inchis</p> <p>a) Putere acustica masurata b) Putere acustica maxim garantata c) Indice poluare fonica d) Procedura de evaluare a conformitatii e) Notificari f. Emisa la 9. Data</p>

<p>Português (Portuguese) Declaração CE de Conformidade</p> <p>1. O abaixo assinado, Pascal De Jonge, declara deste modo, em nome do mandatário, que o máquina abaixo descrito cumpre todas as estipulações relevantes da:</p> <ul style="list-style-type: none"> * Diretiva 2006/42/CE de máquina * Diretiva 2004/108/CE de compatibilidade electromagnética * Diretiva 2000/14/CE - 2005/88/CE de ruído exterior <p>2. Descrição da máquina</p> <p>a) Denominação genérica : Gerador b) Função : produção de energia eléctrica c) Marca d) Tipo e) Número de série f) Fabricante</p> <p>4. Mandatário com capacidade para compilar documentação técnica</p> <p>5. Referência a normas harmonizadas</p> <p>6. Outras normas ou especificações</p> <p>7. Directiva de ruído exterior</p> <p>a) Potência sonora medida b) Potência sonora garantida c) Parametro de ruído d) Procedimento de avaliação da conformidade</p> <p>8. Organismo notificado</p> <p>9. Data</p>	<p>Polski (Polish) Deklaracja zgodności WE</p> <p>1. Niżej podpisany, Pascal De Jonge, w imieniu upoważnionego przedstawiciela, niniejszym deklaruje, że urządzenie opisane poniżej spełnia wszystkie odpowiednie postanowienia:</p> <ul style="list-style-type: none"> * Dyrektywa Maszynowa 2006/42/WE * Dyrektywa Kompatybilności Elektromagnetycznej 2004/108/WE * Dyrektywa Hałasowa 2000/14/WE - 2005/88/WE <p>2. Opis urządzenia</p> <p>a) Ogólne określenie : Agregat prądotwórczy b) Funkcja : produkcja energii elektrycznej c) Nazwa handlowa d) Typ e) Numery seryjne f) Producent</p> <p>4. Upoważniony Przedstawiciel oraz osoba upoważniona do przygotowania dokumentacji technicznej</p> <p>5. Zastosowane normy zharmonizowane</p> <p>6. Pozostałe normy i przepisy</p> <p>7. Dyrektywa Hałasowa</p> <p>a) Zmierzony poziom mocy akustycznej b) Gwarantowany poziom mocy akustycznej c) Wartość hałasu d) Procedura oceny zgodności</p> <p>8. Jednostka notyfikowana</p> <p>9. Data</p>	<p>Suomi / Suomen kieli (Finnish) EY-VAATIMUSTENMUKAISUUSVAKUUTUS</p> <p>1. Allekirjoittanut, Pascal De Jonge vakuuttaa valmistajan edustaja, vakuuttaa täten että alla mainittu kone/tuote täyttää kaikki seuraavia määräyksiä:</p> <ul style="list-style-type: none"> * Konedirektiivi 2006/42/EY * Direktiivi 2004/108/EY sähkömagneettinen yhteensopivisuus * Direktiivi 2000/14/EY - 2005/88/EY ympäristön melu <p>2. TUOTTEEN KUVAUS</p> <p>a) Yleiskuvaus: Aggregaatti b) Toiminto: sähkön tuottaminen c) KAUPALLINEN NIMI d) TYYPPI e) SARJANUMERO f) VALMISTAJA</p> <p>4. Valmistajan edustaja ja teknisten dokumenttien laatija</p> <p>5. VIITTAUS YHTEISIIN STANDARDEIHIN</p> <p>6. MUU STANDARDI TAI TEKNISET TIEDOT</p> <p>7. Ympäristön meludirektiivi</p> <p>a) Mitattu melutaso b) Todenmukainen melutaso c) Melu parametrit d) Yhdenmukaisuuden arvioinnin menetelmä</p> <p>8. Tehtyyn</p> <p>9. PÄIVÄMÄÄRÄ</p>
<p>Magyar (Hungarian) EK-megfelelőeségi nyilatkozata</p> <p>1. Alulírott Pascal De Jonge, a gyártó cég törvényes képviselőjeként nyilatkozom, hogy az általam gyártott gép megfelel az összes, alább felsorolt direktívának:</p> <ul style="list-style-type: none"> * 2006/42/EK Direktívának berendezésekre * 2004/108/EK Direktívának elektromágneses megfelelésegre * 2000/14/EK - 2005/88/EK Direktívának kültéri zajszintre <p>2. A gép leírása</p> <p>a) Általános megnevezés : Áramfejlesztő b) Funkció : elektromos áram előállítás c) Kereskedelmi név d) Típus e) Sorozatszám f) Gyártó</p> <p>4. Meghatalmazott képviselője és képes összeállítani a műszaki dokumentációt</p> <p>5. Hivatkozással a szabványokra</p> <p>6. Más előírások, megjegyzések</p> <p>7. Kültéri zajszint Direktíva</p> <p>a) Mért hangerő b) Szavatolt hangerő c) Zajszint paraméter d) Megfelelőeségi becslési eljárás e) Kijelölt szervezet f) Kelekezés helye</p> <p>9. Kelekezés ideje</p>	<p>Cestina (Czech) ES – Prohlášení o shodě</p> <p>1. Podepsáný Pascal De Jonge, jako autorizovaná osoba zde potvrzuje, že stroj popsaný níže splňuje požadavky příslušných opatření:</p> <ul style="list-style-type: none"> * Směrnice 2006/42/ES pro strojíň zařízení * Směrnice 2004/108/ES stanovující technické požadavky na výrobky z hlediska elektromagnetické kompatibility * Směrnice 2000/14/ES - 2005/88/ES stanovující technické požadavky na výrobky z hlediska emisí hluku zařízení pro venkovní použití <p>2. Popis zařízení</p> <p>a) Všeobecné označení : Elektrocentrála b) Funkce : Výroba elektrické energie c) Obchodní název d) Typ e) Výrobní číslo f) Výrobce</p> <p>4. Zplnomocněný zástupce a osoba pověřená kompletní technické dokumentace</p> <p>5. Odkazy na harmonizované normy</p> <p>6. Ostatní použité normy a specifikace</p> <p>7. Směrnice pro hluk pro venkovní použití</p> <p>a) Naměřený akustický výkon b) Garantovaný akustický výkon c) Parametr hluku d) Způsob posouzení shody e) Notifikovaná osoba</p> <p>8. Předepsáno v</p> <p>9. Datum</p>	<p>Latviešu (Latvian) EK atbilstības deklarācija</p> <p>1. Pascal De Jonge ar savu parakstu zem šī dokumenta, autorizētā pārstāvja vārdā, paziņo, ka zemāk aprakstītais mašīna, atbilst visām zemāk norādīto direktīvu sadaļām:</p> <ul style="list-style-type: none"> * Direktīva 2006/42/EK par mašīnām * Direktīva 2004/108/EK attiecībā uz elektromagnētisko savietojamību * Direktīva 2000/14/EK - 2005/88/EK par trokšņa emisiju viedē <p>2. Iekārtas apraksts</p> <p>a) Vispārējais nosaukums : Generators iekārta b) Funkcija : elektriskās strāvas ražošana c) Komercnosaukums d) Tips e) Sērijas numurs f) Ražotājs</p> <p>4. Autorizētais pārstāvis, kas spēj sastādīt tehniko dokumentāciju</p> <p>5. Atsauc uz saskaņotajiem standartiem</p> <p>6. Citi noteiktie standarti vai specifikācijas</p> <p>7. Ārējo trokšņu Direktīva</p> <p>a) Izmērītā trokšņa līdums b) Pieļaujamais trokšņa līdums c) Trokšņa parametri d) Atbilstības vērtējuma procedūra e) Informētā iestāde</p> <p>8. Vieta</p> <p>9. Datums</p>
<p>Slovenčina (Slovak) ES vyhlásenie o zhode</p> <p>1. Dolupodpísaný, Pascal De Jonge, ako autorizovaný zástupca výrobcu, týmto vyhlasuje, že uvedený stroj/ov je v zhode s nasledovnými smernicami:</p> <ul style="list-style-type: none"> * Smernica 2006/42/ES (Strojné zariadenia) * Smernica 2004/108/ES (Elektromagnetická kompatibilita) * Smernica 2000/14/ES - 2005/88/ES (Emisie hluku) <p>2. Popis stroja</p> <p>a) Druhové označenie : Elektrocentrála b) Funkcia : Výroba elektrického napätia c) Obchodný názov d) Typ e) Výrobné číslo f) Výrobca</p> <p>4. Autorizovaný zástupca schopný zostaviť technickú dokumentáciu</p> <p>5. Referencia k harmonizovaným štandardom</p> <p>6. Ďalšie štandardy alebo špecifikácie</p> <p>7. Smernica pre emisie hluku vo voľnom priestranstve</p> <p>a) Nameraná hladina akustického výkonu b) Zaručená hladina akustického výkonu c) Rozmer d) Procedúra posudzovania zhody e) Notifikovaná osoba</p> <p>9. Dátum</p>	<p>Eesti (Estonian) EU vastavusdeklaratsioon</p> <p>1. Käesolevaga kinnitab allkirjutatanu, Pascal De Jonge, volitatud esindaja nimel, et allpool kirjeldatud masina vastab kõikidele alljärgnevat direktiivide sätetele.</p> <ul style="list-style-type: none"> * Masinate direktiiv 2006/42/EÜ * Elektromagnetilise ühilduvuse direktiiv 2004/108/EÜ * Välistõrva direktiiv 2000/14/EÜ - 2005/88/EÜ <p>2. Seadmete kirjeldus</p> <p>a) Üldnimetus : Generaator b) Funktsioon : elektrienergia tootmine c) Kaubanduslik nimetus d) Tüüp e) Seerianumber f) Tootja</p> <p>4. Volitatud esindaja, kes on pädev täitma tehnilist dokumentatsiooni</p> <p>5. Viide ühistatut standarditele</p> <p>6. Muud standardid ja spetsifikatsioonid</p> <p>7. Välistõrva direktiiv</p> <p>a) Mõõdetud helivõimsuse tase b) Lubatud helivõimsuse tase c) Mõra parameeter d) Vastavushindamisemenetlus e) Teavitatud asutus</p> <p>8. Koht</p> <p>9. Kuupäev</p>	<p>Slovensčina (Slovenian) ES izjava o skladnosti</p> <p>1. Spodaj podpisani, Pascal De Jonge, ki je pooblaščen oseba in v imenu proizvajalca izjavlja, da spodaj opisana stroj ustreza vsem navedenim direktivam:</p> <ul style="list-style-type: none"> * Direktiva 2006/42/ES o strojih * Direktiva 2004/108/ES o elektromagnetni združljivosti * Direktiva 2000/14/ES - 2005/88/ES o hrupnosti <p>2. Opis naprave</p> <p>a) Vrsta stroja : Agregat za proizvodnjo el. energije b) Funkcija : proizvodnja električne energije c) Trgovski naziv d) Tip e) Serijska številka f) Proizvajalec</p> <p>4. Pooblaščen predstavnik ki lahko predloži tehnično dokumentacijo</p> <p>5. Opoštevanje harmonizirani standardi</p> <p>6. Ostali standardi ali specifikacije</p> <p>7. Direktiva o hrupnosti</p> <p>a) Izmerjena zvočna moč b) Garantirana zvočna moč c) Parameter d) Postopek e) Postopek opravił</p> <p>8. Kraj</p> <p>9. Datum</p>

<p>Lietuvių kalba (Lithuanian) EB atitikties deklaracija 1. Įgaliotojo atstovo vardu pasirašęs Pascal De Jonge patvirtina, kad žemiau aprašyta mašina atitinka visas išvardintų direktyvų nuostatas: * Mechanizmų direktyva 2006/42/EB * Elektromagnetinio suderinamumo direktyva 2004/108/EB * Triukšmo lauke direktyva 2000/14/EB - 2005/88/EB 2. Prietaiso aprašymas a) Bendras pavadinimas : Generatorius b) Funkcija : elektros energijos gaminimas c) Komercinis pavadinimas d) Tipas e) Serijos numeris 3. Gamintojas 4. Įgaliotasis atstovas ir galintis sudaryti techninę dokumentaciją 5. Nuorodos į suderintus standartus 6. Kiti standartai ir specifikacija 7. Triukšmo lauke direktyva a) Išmatuotas garso galingumo lygis b) Garantuojamas garso galingumo lygis c) Triukšmo parametras d) Tipas e) Registruota įstaiga 8. Vieta 9. Data</p>	<p>Български (Bulgarian) ЕО декларация за съответствие 1. Допълнописаният Паскал Де Йонг, от името на изпълномощния представител, с настоящото декларирам, че машините, описани по-долу, отговарят на всички съответни разпоредби на: * Директива 2006/42/ЕО относно машините * Директива 2004/108/ЕО относно електромагнитната съвместимост Директива 2000/14/ЕО - 2005/88/ЕО относно шумовите емисии на съоръжения, предназначени за употреба извън сградите 2. Описание на машините a) Общо наименование : Генераторен комплект b) Функция : производство на електроенергия c) Търговско наименование d) Тип e) Серийен номер 3. Производител 4. Упълномощен представител и отговорник за съставяне на техническа документация 5. Съответствие с хармонизирани стандарти 6. Други стандарти или спецификации 7. Директива относно шумовите емисии на съоръжения, предназначени за употреба извън сградите a) Измерена звукова мощност b) Гарантирана звукова мощност c) Параметърът шум d) Процедурата за оценка на съответствието e) Нотифициран орган 8. Място на изготвяне 9. Дата на изготвяне</p>	<p>Norsk (Norwegian) EF- Samsvarserklæring 1. Undertegnede Pascal De Jonge på vegne av autorisert representant herved erklærer at maskinene beskrevet nedenfor innfrir relevant informasjon fra følgende forskrifter: * Maskindirektivet 2006/42/EF * Direktiv EMC: 2004/108/EF Elektromagnetisk kompatibilitet * Direktiv om støy utendørs 2000/14/EF - 2005/88/EF 2. Beskrivelse av produkt a) Felles benevnelse : Generator b) Funksjon : Produsere strøm c) Handelsnavn d) Type e) Serienummer 3. Produsent 4. Autorisert representant og i stand til å utarbeide den tekniske dokumentasjonen 5. Referanse til harmoniserte standarder 6. Øvrige standarder eller spesifikasjoner 7. Utendørs direktiv får støy a) Målt støy b) Maks støy c) Konstant støy d) Verdi vurderings prosedyre e) Gjeldene kjøretøy/kropp/stamme/skrog 8. Sted 9. Dato</p>
<p>Türk (Turkish) AT Uygunluk Beyanı 1. Aşağıda imzası bulunan Pascal De Jonge, yetkili temsilci adına, bu yazıyla birlikte aşağıdaki makine ile ilgili tüm hükümlülüklerin yerine getirildiğini beyan etmektedir: * Makina Emniyet Yönetmeliği 2006/42/AT * Elektromanyetik Uyumluluk Yönetmeliği 2004/108/AT * Açık Alanda Kullanılan Techizat Tarafından Oluşturulan Çevredeki Gürültü Emisyonu ile İlgili Yönetmelik 2000/14/AT-2005/88/AT 2. Makinanın tanımı a) Kapasiteli adlandırma: Jeneratör grubu b) İşlevi : Elektrik gücü üretimi c) Ticari adı d) Tipi e) Seri numarası 3. İmalatçı 4. Teknik dosyası hazırlamakla yetkili olan Toplulukta yerleşik yetkili temsilci 5. Uymlaştrılmiş standartlara atf 6. Diğer standartlar veya spesifikasyonlar 7. Açık alan gürültü Yönetmeliği a) Ölçülen ses gücü b) Garanti edilen ses gücü c) Gürültü parametresi d) Uygunluk değerlendirmeye prosedürü e) Onaylanmış kuruluş 8. Beyanın yeri : 9. Beyanın tarihi :</p>	<p>Íslenska (Icelandic) EB-Samræmisýfirlýsing 1. Undirritaður Pascal De Jonge staðfestir hér með fyrir hönd löggiltra aðila að upplýsingar um vélbúnað hér að neðan eru tæmandi hvað varðar alla tilheyrandi málaflökka, svo sem *Leiðbeiningar fyrir vélbúnað 2006/42/EB *Leiðbeiningar fyrir rafsegulsvið 2004/108/EB *Leiðbeiningar um hávaðamengun 2000/14/EB-2005/88/EB 2. Lýsing á vélbúnaði a) Flokkur : Rafstöðvar b) Virkni : Framleiðsla á rafmagni c) Nafn d) Tegund e) Serial númer 3. Framleiðandi 4. Löggildir aðilar og fær um að taka saman tækniskjölín 5. Tilvísun um heildar staðal 6. Aðrir staðlar eða sérstöður 7. Leiðbeiningar um hávaðamengun a) Mældur hávaða styrkur b) Staðfestur hávaða styrkur c) Hávaða breytileiki d) Staðfesting á gæðastöðlum e) Merkingar 8. Gert hjá 9. Dagsetning</p>	<p>Hrvatski (Croatian) EK Izjava o sukladnosti 1. Potpisani, Pascal De Jonge, u ime ovlaštenog predstavnika, ovime izjavljuju da strojevi navedeni u nastavku ispunjavaju sve važne odredbe: * Propisa za strojeve 2006/42/EK * Propisa o elektromagnetskoj kompatibilnosti 2004/108/EK * Propisa o buci na otvorenome 2000/14/EK-2005/88/EK 2. Opis strojeva a) Opća vrijednost : Agregat b) Funkcionalnost : proizvodni električnu energiju c) Komercijalni naziv d) Tip e) Serijski broj 3. Proizvođač 4. Ovlašteni predstavnik i osoba za sastavljanje tehničke dokumentacije 5. Reference na usklađene norme 6. Ostale norme i specifikacije 7. Propis o buci na otvorenome a) Izmjerena jačina zvuka b) Zajamčena jačina zvuka c) Parametar buke d) Postupak za ocjenu sukladnosti e) Obavješteno tijelo 8. U 9. Datum</p>

HONDA

The Power of Dreams

36Z37600
00X36-Z37-6001



© Honda Motor Co., Ltd. 2014



Printed in India