

Automatic Transfer Switch

ATS104SP

Description

The configurable Automatic Transfer Switch Model ATS104SP allows many of the industry's demanding specifications to be achieved. The ATS104SP is used to start a generator on a mains failure, sending a signal to the Auto Start Enabled Generator and transfer the load when engine's operating criteria has been met. The engine's warm-up time before accepting load and cool-down time after relieving load can be set directly on the module (via terminals T1, T2, T3, T4 and battery negative terminals 9,10,11,12). The ATS104SP allows working on 3 phase and single phase mains/generator supply.

How it works

Under normal circumstances when mains power is available, National Grid power supply runs through the Automatic Transfer Switch (ATS) contactors and connects to your distribution board. When mains power fails, the ATS will pause for a 25 sec. period to ensure you haven't had a power spike. ATS will then initiate a generator start signal (by closing terminals 3 and 4), warm up the generator within preset time set by **internal programmable timer*** (see table A below) and then connect the generator power supply to your home or business premises. Upon mains power being restored the reverse happens and the controller automatically transfers load from the generator power back to mains shutting down the generator after a cool-down period (cool-down period = warm-up period) and restoring it to standby mode. The ATS104SP series modules have been designed for front panel mounting. The module is fitted into the cut-out (68X68mm) with the fixing clips removed. These are then fitted from the rear.

Table A

***Internal programmable timer settings**

T1 [pin 8]	T2 [pin 7]	T3 [pin 6]	T4 [pin 5]	Delay time sec.
•		•	•	8
				15
•				25
	•	•	•	32
	•			50
•	•	•	•	55
•	•			70
		•		95
•		•		120
	•	•		140
•	•	•		165
			•	190
•			•	210
	•		•	235
•	•		•	260
		•	•	280



Example: to set up **140** sec. delay time connect T2 & T3 terminals to the battery negative. T1 & T4 aren't connected.

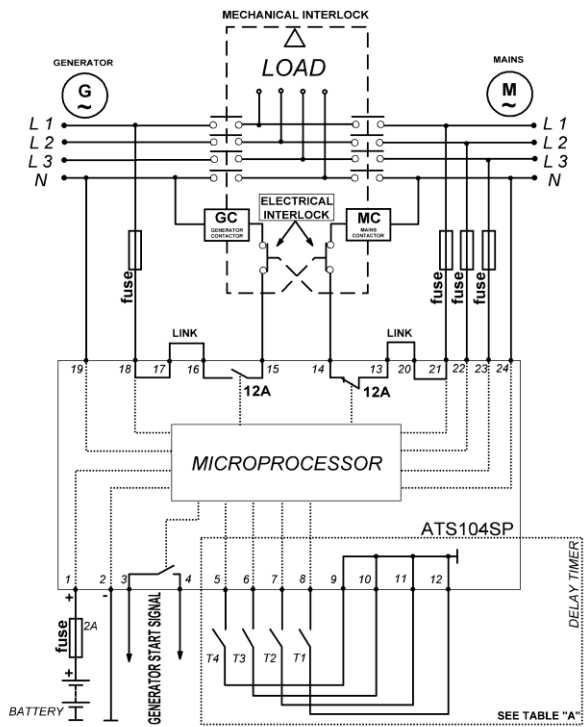
- Terminal connected to batt. -ve

Specification

DC Supply: 12VDC (24VDC)
 Max. Operating Current: 80 mA at 12V
 Max. Standby Current: 10 mA at 12V
 Alternator/Mains Input Range: 100 - 300 V AC
 Frequencies supported: 50Hz and 60Hz
 Mains/Generator Contactor Relay output: 12 Amp at 250V AC
 Generator Start Volt Free Relay output: 2 Amp. At 28V DC
 Dimensions: 72 X 72 X 82mm
 Operating Temperature Range: -30 to +70°C
 2 X side clamps for secure panel fixing included.



THREE PHASE CONNECTION



SINGLE PHASE CONNECTION

